



# **Katalog harga 2021**

## Electrification, Indonesia



# ABB Electrification

ABB Electrification adalah pemimpin global dalam produk dan solusi kelistrikan, yang beroperasi di lebih dari 100 negara, dengan pabrik yang tersebar di lebih dari 200 lokasi. Bersama dengan lebih dari 53,000 karyawan, kami berkomitmen dalam penyediaan listrik yang aman, cerdas, dan berkelanjutan. Dengan didukung oleh ABB Ability™ sebagai platform digital, portofolio kami melindungi, menghubungkan dan mengoptimalkan aliran energi listrik untuk distribusi listrik yang lebih cerdas untuk utilitas, industri, bangunan, infrastruktur, dan mobilitas. Untuk informasi lebih lanjut, kunjungi <https://go.abb/electrification>

Portofolio bisnis ABB Electrification sangat luas, yang mencakup solusi dan layanan digital, mulai dari gardu induk hingga soket, yang memungkinkan proses elektrifikasi yang aman, cerdas, dan berkelanjutan. Inovasi di bisnis ini mencakup solusi digital dan terkoneksi dengan listrik tegangan rendah dan menengah, termasuk infrastruktur kendaraan listrik berbasis baterai (EV), gardu induk modular, otomasi distribusi listrik dan perlindungan daya, aksesoris kabel, switchgear, kotak MCB, sistem kabel, penginderaan dan kontrol.



**53,000**  
karyawan



**Pendapatan**  
**\$11.7 milyar (2018)**



**Hadir di lebih**  
**100 negara**



**Lebih dari 200**  
pabrik





---

## Daftar Isi

<b>006 – 007</b>	<b>Sekilas tentang Power protection</b>
<b>008 – 009</b>	<b>Sekilas tentang Outdoor medium voltage products</b>
<b>010</b>	<b>Sekilas tentang UniSec</b>
<b>011 – 015</b>	<b>Sekilas tentang Distribution Automation Product</b>
<b>016 – 017</b>	<b>Sekilas tentang E-Mobility</b>






### Katalog Harga 2021

<b>019 – 054</b>	<b>Pemutus Sirkit ACB dan MCCB</b>
<b>055 – 060</b>	<b>Switches</b>
<b>061 – 118</b>	<b>Pemutus Sirkit Miniatur (MCB) dan Komponen modular rel DIN</b>
<b>119 – 172</b>	<b>Produk Kontrol dan Proteksi Motor</b>
<b>173 – 184</b>	<b>Electronic Relay and Control (ERC)</b>
<b>185 – 194</b>	<b>Kompensasi Energi Reaktif - Kapasitor</b>
<b>195 – 200</b>	<b>Enclosure/Box Panel</b>
<b>201 – 210</b>	<b>Sakelar dan Kotak Kontak</b>
<b>211 – 214</b>	<b>Daftar distributor ABB</b>

# Power Protection

A complete range of power protection solutions to ensure a continuous clean electrical supply

ABB has all bases covered when it comes to the power protection of sensitive loads. Covering applications from computer rooms, right through to large data centers and complete industrial plant protection. From a few kVA, right through to applications of many MVA and a wide range of supply voltages, ABB has the UPS and voltage conditioning technology for every need.

		Product Line	Line Major Market Segments	Typical Problems	Mechanical Construction	Standard Power Range	Standard Voltage Range	
Power Protection	Active Voltage Conditioner	PCS100 AVC-40	<ul style="list-style-type: none"> <li>• Semiconductor, flat panel LCD</li> <li>• 24/7 industry, food and beverage, pharmaceutical</li> <li>• Automotive</li> </ul>	<ul style="list-style-type: none"> <li>• Voltage sags and swells (1 and 3 phase)</li> <li>• Phase imbalance</li> <li>• Voltage imbalance</li> <li>• Flicker</li> </ul>		150 kVA - 4.8 MVA	208 V - 690 V	
		PCS100 AVC-20	<ul style="list-style-type: none"> <li>• Powering emerging economy infrastructure</li> <li>• 24/7 industry, food and beverage, pharmaceutical</li> <li>• Combating renewable energy voltage problems</li> </ul>	<ul style="list-style-type: none"> <li>• Poor voltage regulation</li> <li>• Voltage imbalance</li> <li>• Weak grids</li> </ul>		250 kVA - 3 MVA	380 V - 415 V	
	Industrial UPS	Low Voltage Industrial UPS	PCS100 UPS-I	<ul style="list-style-type: none"> <li>• Semiconductor, flat panel LCD</li> <li>• 24/7 industry, food and beverage, pharmaceutical</li> <li>• Automotive</li> </ul>	<ul style="list-style-type: none"> <li>• Short term outages</li> <li>• Over/under voltage protection</li> <li>• Micro cuts</li> </ul>		150 kVA - 3 MVA	208 V - 480 V
		Medium Voltage Industrial UPS	PCS120 MV UPS	<ul style="list-style-type: none"> <li>• Mega datacenters</li> <li>• Semiconductor, flat panel LCD</li> <li>• 24/7 industry, food and beverage, pharmaceutical</li> </ul>	<ul style="list-style-type: none"> <li>• Short term outages</li> <li>• Long term outages</li> <li>• Over/under voltage protection</li> <li>• Micro cuts</li> </ul>		2 MVA - 40+ MVA	6.6 kV - 24 kV
	Frequency Conversion	Static Frequency Converter	PCS100 SFC	<ul style="list-style-type: none"> <li>• Dockside shore- toship</li> <li>• Power grid duplication</li> <li>• Industry</li> </ul>	<ul style="list-style-type: none"> <li>• 50/60 Hz conversion</li> <li>• Frequency fluctuation</li> <li>• Voltage regulation</li> </ul>		125 kVA - 6+MVA	Any

For further information of power conditioning product series, please contact ABB.



Outage Protection	Power Range	Main Features	Products	Single Line Diagram
<b>Standalone UPS</b>				
<b>UPS single phase</b> PowerValue 11 RT / 11RT G2 PowerValue 11/31 T PowerValue 11T G2	1 kVA - 10 kVA Parallel to 20 kVA 10 kVA - 20 kVA Parallel to 80 kVA 1 kVA - 10 kVA Parallel to 30 kW	Up to 93% efficiency Up to 97% (eco mode) Protection against power outages and disturbances Battery energy storage Double conversion		
<b>UPS three phase standalone</b> PowerScale PowerWave 33	10 kVA - 50 kVA 60 kW - 500 kW Parallel to 5 MW	Up to 96% efficiency Exceeding 98% (eco-mode) - PowerScale Exceeding 99% (eco-mode) - PowerWave 33 Protection against power outages and disturbances Battery energy storage Double conversion		
<b>Modular UPS</b>				
<b>UPS three phase modular</b> DPA UPScale RI DPA UPScale ST Conceptpower DPA Conceptpower DPA 500	10 kW - 80 kW 40 kW - 400 kW 25 kVA - 250 kVA 100 kW - 500 kW Parallel to 3 MW	Up to 95.5% efficiency Exceeding 98% efficiency (ecomode) Protection against power outages and disturbances Battery energy storage Double conversion		
<b>Light Industrial UPS</b>				
PowerLine DPA 3ph PowerLine DPA 1ph	20 kVA- 120 kVA 20 kVA - 80 kVA	Online double conversion topology Modular DPA architecture Suitable for rough industrial facilities Reliable power and high availability (2N) Low MTTR and low inventory		

For further information of power conditioning product series, please contact ABB.

# Outdoor medium voltage products

ABB delivers a wide portfolio of medium voltage distribution solutions for outdoor applications, ranging from full-fledged substation breakers to fuse cutouts, through digital intelligent reclosers and sectionalizers ready to support the different needs of the smart grid of tomorrow.



## R-MAG® Dead Tank Breaker

The ABB R-MAG® combines the unique benefits of vacuum interrupter technology with a state of the art magnetic actuator with limited moving parts. full range of 15 kV, 27 kV and 38 kV versions available with different footprints, up to 200 kV BIL and 40 kA.



## Fuse Cutouts

ABB fuse cutouts are used on overhead distribution systems to provide safe and reliable overcurrent protection and visible break as indication of fuse operation.



## GridShield® triple-single phase Recloser and OVR three phase Recloser

With a full portfolio up to 38 kV and 16 kA, the Grid-Shield® and OVR recloser families are ready for any challenge and geared to support the different needs of the grid of tomorrow.



## DCD single phase disconnect switch

The hook stick operated disconnect switch is used for sectionalizing or isolating circuits on electrical distribution networks up to 38 kV and 900 A.



## NPS Air Load Break Switch

The ABB NPS is a modular air insulated load break switch that provides a visible break of main contacts, used in medium voltage overhead lines



## AutoLink and WiAutoLink Electronic Sectionalizer

The electronic sectionalizer is an isolating device designed to improve the service continuity of overhead distribution networks.





**RBD bypass disconnect switch**

The ABB RBD provides a quick and easy means of bypassing and disconnecting reclosers or other equipment, allowing quick system reconfigurations to work on any device without interrupting service.



**SID and LSID disconnect switch**

The ABB SID is a single insulator disconnect based on the cutout design, available with different insulator options up to 38 kV and 900 A continuous current.



**OVB-SDB and OVB-VBF Live Tank Breakers**

ABB live tank circuit breakers are designed to bring together the superiority of vacuum interruption inside “sealed for life” poles, with the reliability of a long-life spring mechanism inside a weather-proof cabinet available in 24 kV, 36 kV and 40.5 kV versions up to 2500 A and 31.5 kA, to support the new challenging requirements of the future interconnected grid.



**Sectos SF6 Load Break Switch**

ABB Sectos is an SF6 gas-insulated, pole-mounted load break switch used in electrical distribution networks. ABB is also able to provide the unique NXBD design up to 24 kV, a three-way load break switch also available with earthing switches to implement powerful smart-grid logic in complex networks



**ITD inline tension disconnect switch**

The hook stick operated disconnect switch is used to manually disconnect de-energized or parallel circuits of overhead distribution lines up to 38 kV, 200 kV BIL and 900 A continuous current.voltage overhead lines

# UniSec

## Air-insulated Medium Voltage secondary switchgear



### UniSec switchgear

- Air insulation of all live parts
- SF6 switch-disconnector
- Removable and withdrawable vacuum and SF6 circuitbreakers for LSC2A service continuity panel
- Withdrawable vacuum contactor up to 12 kV and vacuum and SF6 circuit-breaker for LSC2B service continuity panel
- Multi-function apparatus with integrated vacuum circuit-breaker and gas-insulated disconnector
- LSC2A-PM classification for panels with switch-disconnector, LSC2B-PM for panels with withdrawable contactor, circuit-breaker up to 17.5 kV and LSC2B-PI at 24 kV
- Complete range of functional units and accessories
- Wide choice of state-of-the-art protection relays, either integrated on circuit-breakers or mounted separately for protection, control and measurement functions

### Switchgear electrical characteristics

Rated voltage	kV	12	17.5	24
Test voltage (50-60 Hz x 1 min)	kV	28	38	50
Impulse withstand voltage	kV	75	95	125
Rated frequency	Hz	50-60	50-60	50-60
Rated main busbar current	A	630/800/1250	630/800/1250	630/1250
Rated current of apparatus:				
– VD4/R-Sec - HD4/R-Sec - HD4/RE-Sec removable circuit-breaker	A	630/800	630/800	630
– VD4/R-Sec - HD4/R-Sec withdrawable circuit-breaker	A	630	630	630
– HySec multi-function apparatus	A	630	630	630
– GSec gas switch-disconnector	A	630/800	630/800	630
– Vmax/Sec withdrawable circuit-breaker	A	630/1250	630/1250	–
– VD4/Sec withdrawable circuit-breaker	A	–	–	630/1250
– HD4/Sec withdrawable circuit-breaker	A	630/1250	630/1250	630/1250
– VSC/P withdrawable vacuum contactor	A	400	–	–
Rated short time withstand current	kA (3s)	16 <sup>(4)</sup> /20 <sup>(3)</sup> /25 <sup>(1)(2)</sup>	16 <sup>(4)</sup> /20 <sup>(3)</sup> /25 <sup>(2)</sup>	16 <sup>(4)</sup> /20 <sup>(3)</sup>
Peak current	kA	40 <sup>(4)</sup> /50 <sup>(3)</sup> /62.5	40 <sup>(4)</sup> /50 <sup>(3)</sup> /62.5	40 <sup>(4)</sup> /50 <sup>(3)</sup>
Internal arc withstand current (up to IAC AFLR)	kA (1s)	12.5/16 <sup>(4)</sup> /21/25 <sup>(2)(5)</sup>	12.5/16 <sup>(4)</sup> /21/25 <sup>(2)</sup>	12.5/16 <sup>(4)</sup> /21

(1) 25 kA 2s for LSC2A service continuity classification

(2) For LSC2B service continuity classification

(3) Contact ABB for 21 kA/52.5 kAp mm (further details at pag. 17)

(4) For HySec 16 kA(1s)/40 kAp

(5) For LSC2A unit with gas duct at 12kV, high 2000 mm and wide 750

# Distribution automation

Compact solution for utility distribution and industrial applications

ABB delivers a full range of genuine IEC61850 protection and control products also including network automation. ABB's IEC61850 compliant solutions offer a unified user-experience for operating power distribution systems from the secondary substation level up to the network control center level.

ABB distribution automation products are built to withstand the rigors of most demanding environments including marine and offshore, industrial facilities such as mines and paper and petrochemical plants, as well as utilities in urban and rural locations.

## Relion Range

### Basic Range

605 series



611 series



615 series



### Mid Range

620 series



630 series



### Hi-end Range

REX640



### Grid Automation

RER/REC  
615 series



RER  
620 series



## 600 family

### Station products

SSC600



COM600



RIO600



Arctic



## Other solutions and legacy

### SW

PCM600  
ZEE600  
Envisage



### Tools

FT's &  
cables



### Solutions

SUE3000  
PML630  
P&C panels  
ECS solution



### Legacy

500 series  
REA, EM, SACO



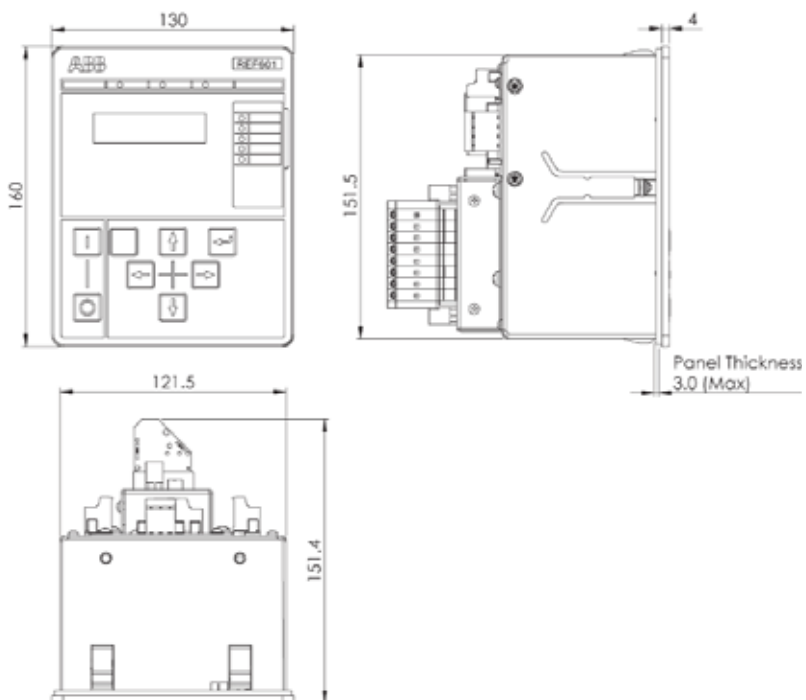
## Relion protection and control relays

### Relion protection and control relays

The Relion product family offers the widest range of products for the protection, control measurement and supervision of power systems for IEC and ANSI applications – from generation and interconnected transmission grids over primary distribution to secondary distribution kiosks.

### Relion 605 series

The Relion 605 series protection relay feature basic devices that fulfill the essential protection needs in medium-voltage networks. The series is best suited for secondary distribution applications. These relay are well-know for their straight forward approach to protection.



**Model and Feature**

Type	Order code	Digital Input / Output	Analog Input	Feature Protection	Communication	Power supply
REF601	REF601BD446BB1NH	4BI, 6BO, CTRL	4I (1A)	51/50, 51N/50N, 68,86	Modbus RS485	24 – 240V AC/DC
	REF601BE446BB1NH	4BI, 6BO, CTRL	4I (5A)	51/50, 51N/50N, 68,86	Modbus RS485	24 – 240V AC/DC
	REF601BD446BC1NH	4BI, 6BO, CTRL	4I (1A)	51/50, 51N/50N,51BF, 46,49,68,86	Modbus RS485	24 – 240V AC/DC
	REF601BE446BC1NH	4BI, 6BO, CTRL	4I (5A)	51/50, 51N/50N,51BF, 46,49,68,86	Modbus RS485	24 – 240V AC/DC
	REF601BD446BD1NH	4BI, 6BO, CTRL	4I (1A)	51/50, 51N/50N,51BF, 46,49,68,86,79	Modbus RS485	24 – 240V AC/DC
	REF601BE446BD1NH	4BI, 6BO, CTRL	4I (5A)	51/50, 51N/50N,51BF, 46,49,68,86,79	Modbus RS485	24 – 240V AC/DC

The 605 series include:

- REF601 Feeder protection and control
- REM601 Motor protection and control
- REJ603 Self-powered feeder protection with CT's

## Relion 615 series

ABB's Relion product family includes the 615 protection and control series of relays, characterized by compactness and withdrawable plug-in unit design.

The 615 series relays fully supports the IEC 61850 standard for communication and interoperability of substation automation devices, including fast

GOOSE messaging and IEC 61850-9-2 LE. The 615 series support both the parallel redundancy (HSR) protocol, together with DNP3, IEC 60870-5-103 and Modbus protocols.



Pull-out handle is sealable and "Screw secured" to prevent accidental (or unauthorized) withdrawal of the plug-in unit

Description	Value	
Width	Frame	177 mm
	Case	164 mm
Height	Frame	177 mm (4U)
	Case	160 mm
Depth		201 mm (153 + 48mm)
Weight	Complete protection relay	4.1 kg
	Plug-in unit only	2.1 kg

**Model and Feature**

Type	Order code	Digital Input / Output	Analog Input	Feature Protection	Communication	Power supply
REF615	HBFFAEAGABC1ANA11G	16BI, 10BO, CTRL	4I (lo 1/5A)	67,67N,27,59,46,49, 51N/50N,51BF,86	IEC61850 and Modbus (RJ45/RS485)	48-250VDC 100-240VAC
	HBFFAFAGABC1ANA11G	16BI, 10BO, CTRL	4I (lo 0.2/1A)	67,67N,27,59,46,49, 51N/50N,51BF,86	IEC61850 and Modbus (RJ45/RS485)	48-250VDC 100-240VAC
	HBFJAEAGABC1ANA11G	16BI, 10BO, CTRL	4I (lo 1/5A)	67,67N,27,59,46,49, 81,25,51N/50N, 51BF,86	IEC61850 and Modbus (RJ45/RS485)	48-250VDC 100-240VAC
	HBFJAFAGABC1ANA11G		4I (lo 0.2/1A)	67,67N,27,59,46,49, 81,25,51N/50N, 51BF,86	IEC61850 and Modbus (RJ45/RS485)	48-250VDC 100-240VAC

The 615 series include:

- RED615 Line differential protection and control
- REF615 Feeder protection and control
- RET615 Transformer protection and control
- REU615 Voltage protection and control
- REM615 Motor protection and control
- REV615 Capacitor bank protection and control
- REG615 Generator and interconnection protection and control

# E-Mobility

## Electric Vehicle Infrastructure



ABB has years of experience in designing, manufacturing, installing and maintaining electric vehicle charging infrastructure, including several nationwide charger networks

— ABB E-mobility



### ABB EV infrastructure

ABB has been serving customers for over a century with reliable energy efficient solutions for utilities, industry, infrastructure and transport. Since 2010, ABB is leading the e-mobility revolution with charging infrastructure for any location combined with connected services.

### Main features of all ABB chargers

ABB chargers are designed to be durable, reliable and easy to service. Main advantages include:

- Modular and redundant construction to ensure continuous operation
  - Industry-grade components to ensure long lifetime and robust operation
  - Future-proof, easily upgradable technology
  - Remote maintenance and support for an effective, timely response to any irregularity
  - Supports the open communication protocol OCPP
  - Stainless steel powder coated cabinets for durability, even in cold or humid climates
  - User-centered design validated by user tests
- Remote charger's power management

### ABB Ability™ Connected Services

ABB's Connected Services offering is based on a 24/7/365 monitored platform, which ensures the highest availability. A network operator can select from a modular offering supporting a smooth and seamless integration to back office processes via APIs, and giving access to value adding Web tools for configuration, advanced monitoring and notification.





	AC destination	DC destination	DC Fast Charging	High DC Power
<b>GENERAL DATA</b>				
<b>Output power rating</b>	3-22KW	20- 25KW	50KW	150 to 350KW
<b>Input current</b>	16A- 32A	32 -60A	125A	375A- 500A
<b>Duration charge</b>	4 16hours	1-3hours	20- 90min	10-20 min
<b>Socket outlet or connector type</b>	Socket with shutter, type 2 Type 1 or type 2 cable. Cable can be wrapped around the charger	Holder : AC type2, CCS-2 and CHAdeMO	Holder : AC type2, CCS-2 and CHAdeMO	Holder : AC type2, CCS-2 150 Pantograph
<b>User authentication</b>	ABB RFID card (1 included) or App	RFID, 4G, touch screen	RFID, 4G touch screen	RFID, 4G touch screen
<b>Network type</b>	TT, TN, IT			
<b>Protection</b>	Overcurrent, overvoltage, undervoltage, ground fault including DC leakage protection, integrated surge protection			
<b>Nominal input voltage</b>	220 ... 240 V single phase and 380 ... 415 V three phase	380 - 480	380 - 480	380 -480
<b>Communication protocols</b>	OCPP 1.6 and RS485/P1 for energy meter connection			
<b>Frequency range</b>	50 / 60 Hz			
<b>Communication ports</b>	OCPP 1.6 and RS485/P1 for energy meter connection			
<b>Major Market Segments</b>	Office, Workespace, home, Multi family housing, Hotel and hospital, Overnight fleets, Supplement at DC charging	Office, Hotel and hospital, Parking structure, Dealerships, Urban fleets, public or private campus, sensitive grid application	Retail, Grocery, Mall, restaurant, High turn over parking, Conveience fueling station, highway truck stop and travel plaza, OEM R&D	Highway corridor travell, Metro "charge and go", highway rest stop, Patrol station, city ring service satation, OEM R&D

---

## **Katalog harga**

Electrification, Indonesia

### **Katalog Harga 2021:**

- Harga dalam katalog ini adalah harga per satuan
- Harga sudah termasuk PPN
- Penyerahan barang DDP Jakarta
- Harga dapat berubah sewaktu-waktu tanpa pemberitahuan terlebih dahulu
- Syarat dan ketentuan ABB berlaku

# Pemutus Sirkuit ACB dan MCCB

## ABB Low Voltage Products

1

### Indeks

#### Pemutus Sirkuit ACB

Pemutus Sirkuit Udara (ACB) - Emax 2 - Jenis tetap (F/T) 630 s/d 6300 A .....	20
Pemutus Sirkuit Udara (ACB) - Emax 2 - Jenis tarik (D/O) 630 s/d 6300 A .....	21
Aksesori/Lengkapan- ACB- Emax 2 .....	22
Aksesori/Lengkapan ACB - Emax 2 - Modul opsional untuk EkipTrip Unit .....	27
Interlok - ACB - Emax 2 .....	28
Saklar Tukar Sumber Otomatis - ATS021, ATS022 <sup>(1)</sup> - ACB - Emax 2 .....	30

#### Pemutus Sirkuit Tenaga (MCCB) FORMULA

Pemutus Sirkuit Tenaga (MCCB) FORMULA - Pendahuluan .....	31
Pemutus Sirkuit Tenaga (MCCB) - Formula A1 - (3P- 4P) In : 15 s/d 100 A .....	32
Pemutus Sirkuit Tenaga (MCCB) - Formula A2 - (3P- 4P) In : 125 s/d 250 A .....	34
Pemutus Sirkuit Tenaga (MCCB) - Formula A3 - (3P- 4P) In : 320 s/d 630 A .....	35
Aksesori/lengkapan - MCCB FORMULA (A1 - A3) .....	36
Pemutus Sirkuit Tenaga (MCCB) - Tmax XT - Pendahuluan.....	37
Pemutus Sirkuit Tenaga (MCCB) - Tmax XT1 - (3P - 4P), 100A .....	39
Pemutus Sirkuit Tenaga (MCCB) - Tmax XT2 - (3P - 4P), 160A .....	40
Pemutus Sirkuit Tenaga (MCCB) - Tmax XT3 - XT4 - (3P - 4P), 250A .....	42
Aksesori/lengkapan - XT1 - XT4 .....	43
Pemutus Sirkuit Tenaga (MCCB) - Tmax XT5 - (3P - 4P), 400 s/d 630A .....	46
Pemutus Sirkuit Tenaga (MCCB) - Tmax XT6 - (3P - 4P), 800 s/d 1000A .....	47
Pemutus Sirkuit Tenaga (MCCB) - Tmax XT7 manual - (3P - 4P), 1250 s/d 1600A.....	48
Pemutus Sirkuit Tenaga (MCCB) - Tmax XT7 motorize (3P - 4P), 1250 s/d 1600A.....	49
Aksesori/lengkapan - Tmax XT5 - XT7.....	50
Aksesori/lengkapan - Tmax XT5 - XT7.....	51
Aksesori/lengkapan - Tmax XT5 - XT7.....	52
Aksesori/lengkapan - Tmax XT5 - XT7.....	54

## Pemutus Sirkuit Udara (ACB) - Emax 2

Jenis tetap (F/T) 630 s/d 6300 A

ABB Ability™  
Bluetooth  
4.0



Standard  
Kapasitas pemutusan (Icu)  
Tipe unit trip  
Proteksi

IEC 60947-2

50 kA s/d 150 kA pada 380/415 VAC

Ekip DIP

tipe LI

L = I1 = 0,4 ... 1 x I t1 = 3, 12,24,...,144 dtk pd I=3xI1 (t=k/I2)

I = I3 = 1,5 ... 15 x t3 = instan (t=k)

terminal belakang horizontal (HR)<sup>(2)</sup>

fixed type (F/T) (jenis tetap)

Jenis koneksi

Tipe instalasi

Lengkapan standar

• termasuk 4 C/O kontak bantu

• termasuk indikasi trip mekanik dan listrik

• termasuk *terminal kontak bantu*

• Bluetooth Low Energy (BLE) untuk trip Unit EKIP Touch

Type	In [A]	Icu [kA]	3P		4P	
			No. Ref 1SDA0...R1	Harga IDR	No. Ref 1SDA0...R1	Harga IDR
<b>Icu 50 kA 380/415 V - Front Terminal</b>						
E1.2C06	630	50	70711	32,845,120	71341	39,412,560
E1.2C08	800	50	70751	36,854,070	71381	45,022,230
E1.2C10	1000	50	70791	39,715,060	71421	48,576,220
E1.2C12	1250	50	70831	40,448,650	71461	49,910,410
E1.2C16	1600	50	70871	45,118,150	71501	56,397,550
<b>Icu 66 kA 380/415 V (1) -Front Terminal E1.2 only</b>						
E1.2N08	800	66	70761	42,588,590	71391	53,389,380
E1.2N10	1000	66	70801	45,734,590	71431	57,236,190
E1.2N12	1250	66	70841	49,522,990	71471	58,839,220
E1.2N16	1600	66	70881	56,686,410	71511	70,803,590
E2.2N20	2000	66	71031	63,270,680	71661	79,368,960
E2.2N25	2500	66	71061	81,759,370	71691	98,832,910
E4.2N32	3200	66	71141	93,205,200	71771	116,739,150
E4.2N40	4000	66	71191	161,652,590	71821	197,395,330
<b>Icu 100 kA pd 380/415V</b>						
E2.2H08	800	100	70911	55,152,020	71541	66,612,150
E2.2H10	1000	100	70941	59,595,910	71571	73,120,960
E2.2H12	1250	100	70971	60,872,790	71601	75,316,670
E2.2H16	1600	100	71011	73,570,090	71641	91,708,980
E2.2H20	2000	100	71051	80,789,500	71681	100,257,190
E2.2H25	2500	100	71081	111,727,550	71711	126,029,860
E4.2H32	3200	100	71161	123,413,840	71791	152,095,350
E4.2H40	4000	100	71211	216,507,940	71841	243,583,230
E6.2H50	5000	100	71261	240,195,230	71891	297,240,460
E6.2H63	6300	100	71291	327,086,650	71921	342,446,830
<b>Icu 150 kA 380/415V (3)</b>						
E4.2V40	4000	150	71221	326,698,900	71851	297,052,800
E6.2V50	5000	150	71271	372,497,400	71901	382,180,370
E6.2V63	6300	150	71301	478,910,960	71931	527,243,970

(1) Front Terminal untuk semua type E1.2 fixed type

(2) Terminal dapat dirotasi horisontal atau vertikal

(3) semua type E6.2 4 Poles = 50% Neutral size

## Pemutus Sirkuit Udara (ACB) - Emax 2

Jenis tarik (D/O) 630 s/d 6300 A

ABB Ability™  
Bluetooth  
4.0



Standard  
Kapasitas pemutusan (Icu)  
Tipe unit trip  
Proteksi

Jenis koneksi  
Tipe instalasi  
Lengkapan standar

IEC 60947-2  
50 kA s/d 150 kA pada 380/415 VAC

Ekip DIP

tipe LI

$L = I_1 = 0,4 \dots 1 \times I_{nt1} = 3, 12, 24, \dots, 144$  dtk pd  $I = 3 \times I_1$  ( $t = k / I^2$ )

$I = I_3 = 1,5 \dots 15 \times I_{nt3} = \text{instan}$  ( $t = k$ )

terminal belakang horizontal (HR)(2)

drawout type (D/O) (jenis tarik)

- termasuk 4 C/O kontak bantu
- termasuk indikasi trip mekanik dan listrik
- termasuk *terminal kontak bantu*
- termasuk Safety Shutter
- Bluetooth Low Energy (BLE) untuk trip Unit EKIP Touch

Tipe	In [A]	Icu [kA]	3P		4P	
			No. Ref 1SDA0...R1	Harga IDR	No. Ref 1SDA0...R1	Harga IDR
<b>Icu 50 kA 380/415 V</b>						
E1.2C06	630	50	72061	45,100,330	72691	64,506,750
E1.2C08	800	50	72101	48,727,580	72731	72,146,800
E1.2C10	1000	50	72141	51,655,230	72771	76,026,830
E1.2C12	1250	50	72181	52,479,900	72811	79,477,970
E1.2C16	1600	50	72221	66,850,300	72851	85,818,040
<b>Icu 66 kA 380/415 V</b>						
E1.2N08	800	66	72111	56,851,740	72741	80,784,990
E1.2N10	1000	66	72151	59,705,690	72781	84,631,800
E1.2N12	1250	66	72191	63,964,450	72821	87,959,520
E1.2N16	1600	66	72231	81,254,140	72861	98,199,200
E2.2N20	2000	66	72381	87,853,810	73011	111,007,380
E2.2N25	2500	66	72411	106,061,670	73041	139,161,550
E4.2N32	3200	66	72491	118,071,580	73121	158,646,290
E4.2N40	4000	66	72541	203,194,530	73171	252,954,130
<b>Icu 100 kA pd 380/415V</b>						
E2.2H08	800	100	72261	75,619,720	72891	93,777,090
E2.2H10	1000	100	72291	80,063,610	72921	100,286,010
E2.2H12	1250	100	72321	81,340,490	72951	102,481,610
E2.2H16	1600	100	72361	94,037,900	72991	118,873,920
E2.2H20	2000	100	72401	101,257,310	73031	126,598,780
E2.2H25	2500	100	72431	131,086,890	73061	160,775,560
E4.2H32	3200	100	72511	142,773,180	73141	200,382,270
E4.2H40	4000	100	72561	232,959,760	73191	298,911,360
E6.2H50	5000	100	72611	328,992,180	73241	424,569,530
E6.2H63	6300	100	72641	415,883,600	73271	469,775,900
<b>Icu 150 kA 380/415V</b>						
E4.2V40	4000	150	72571	339,554,930	73201	425,215,560
E6.2V50	5000	150	72621	385,940,610	73251	509,278,770
E6.2V63	6300	150	72651	488,877,730	73281	654,342,480

(2) Terminal dapat dirotasi horisontal atau vertikal

(3) semua type E6.2 4p = 50% Neutral size

### CATATAN:

I1 atau L adalah setelan thermal atau setelan trip arus lebih dengan setelan waktu.

I3 atau I adalah setelan magnetis atau setelan trip arus hubung pendek instan.

## Aksesori/Lengkapan

### ACB- Emax 2

### Aksesori/lengkapan yang bisa dipasang pada ACB

	Automatic circuit-breaker	
	E1.2	E2.2-E4.2 -E6.2
<b>Signalling</b>		
Standard open/closed auxiliary contacts - AUX 4Q	•/••	•/••
Open/closed auxiliary contacts - AUX 6Q	-	○/○○
Open/closed auxiliary contacts - AUX 15Q	○/○○	○/○○
Auxiliary position contacts - AUP	■	■
Ready to close signalling contact - RTC	○/○○	○/○○
TU Reset mechanical signalling of the tripping of protection trip unit - TU Reset	•/••	•/••
Contact signalling tripping of Ekip protection trip unit - S51	•/••	•/••
Contact signalling loaded springs - S33 M/2 (supplied with Motor)	○/○○	○/○○
<b>Control</b>		
Opening and closing release - YO/YC	○/○○	○/○○
Second opening and closing release - YO2/YC2	○/○○	○/○○
Undervoltage release - YU	○/○○	○/○○
Electronic time-delay device for undervoltage release -UVD	○/○○	○/○○
Motor - M	○/○○	○/○○
Remote reset - YR	○/○○	○/○○
Opening and closing release test unit - YO/YC Test Unit	○/■	○/■
<b>Safety</b>		
Key lock and padlock in open position - KLC and PLC	○/○○	○/○○
Key lock and padlock in racked-in / test / racked-out position - KLP and PLP	■	○○
Shutter lock - SL	△	△
External shutter lock - SLE	-	■
Lock for racking-out mechanism with circuit-breaker in closed position	△	••
Lock for racking in / racking out the mobile part when the door is open - DLR	-	■
Lock to prevent door opening when circuit-breaker is in racked-in/ test position - DLP	-	■
Lock to prevent door opening when circuit-breaker is in closed position - DLC	○/○○	○/○○
Anti-insertion lock	•/••	•/••
Mechanical operation counter - MOC	○/○○	○/○○
<b>Protection devices</b>		
Protection Device for opening and closing pushbuttons - PBC	○/○○	○/○○
IP30 Protection	•/△	•/△
IP54 Protection	○/■	○/■
Terminal covers - HTC / LTC	○/○○	-
Separators - PB	○/○○	-
<b>Connections</b>		
Orientable rear terminal - HR/VR	○	•
Front terminal - F	•	○
Other configurations	○/■	○/■
<b>Interlocks and switching devices</b>		
Mechanical interlock - MI	○/○○/■	○/○○/■
Automatic transfer switches - ATS	○/○○	○/○○

- Standard accessory for fixed circuit-breaker
- Accessory on request for fixed circuit-breaker
- Standard accessory for mobile part
- Accessory on request for mobile part
- △ Standard accessory for fixed part
- Accessory on request for fixed part

## Aksesori/Lengkapan

### ACB - Emax 2



Motorized (MO)

#### Mekanisme motor gear untuk pemompaan otomatis (*otomatic charging*) - (M)

Lengkapan ini digunakan untuk otomatis pemompaan mekanisme pengoperasian pemutus sirkit. Saat terjadi kegagalan suplai daya atau saat kerja perawatan, maka pemutus sirkit masih dapat dioperasikan secara manual.

Motorized Tegangan Suplai	E1.2		E2.2 - E6.2	
	No. ref 1SDA0...R1	Harga IDR	No. ref 1SDA0...R1	Harga IDR
24..30 VAC/DC	73708	14,543,320	73722	16,198,820
48..60 VAC/DC	73709	14,543,320	73723	16,198,820
100..130 VAC/DC	73710	14,543,320	73724	16,198,820
220..250 VAC/DC	73711	13,181,740	73725	14,631,760

#### Sinyal listrik indikasi trip dari pada unit trip - (4a) - termasuk perlengkapan standar

Lengkapan ini memberikan indikasi visual mekanisme operasi dan sinyal listrik bahwa pemutus sirkit terbuka karena bekerja unit trip. Tombol tekan "T.U. reset" harus ditekan untuk mereset pemutus sirkit.



Remote Reset (YR)

Tipe ACB Emax 2	E1.2		E2.2 - E6.2	
	No. ref 1SDA0...R1	Harga IDR	No. ref 1SDA0...R1	Harga IDR
	73776	Call Us	73778	Call Us

#### Sinyal listrik indikasi trip dari pada unit trip dengan komand reset jarak jauh - (YR) remote reset

Tipe ACB Emax 2	E1.2		E2.2 - E6.2	
	No. ref 1SDA0...R1	Harga IDR	No. ref 1SDA0...R1	Harga IDR
220..240 VAC/DC	73746	3,899,170	73749	4,198,810
110..130 VAC/DC	73745	4,094,090	73748	4,652,230
24..300 VAC/DC	73744	4,094,090	73747	4,652,230

#### Sinyal listrik indikasi pemutus sirkit kondisi terbuka / tertutup - Q1 ...10 - (AUX)

Kontak bantu terpasang dalam pemutus sirkit, yang menandakan apakah pemutus sirkit dalam kondisi terbuka atau tertutup



Kontak Bantu

Tipe ACB Emax 2	E1.2		E2.2 - E6.2	
	No. ref 1SDA0...R1	Harga IDR	No. ref 1SDA0...R1	Harga IDR
6 kontak bantu 400V			73756	8,883,160
15 kontak bantu 400V	73758	11,063,030	73760	11,063,030

#### CATATAN

1) sudah termasuk dalam standar pemutus sirkit dapat diorder terpisah

## Aksesori/Lengkapan

### ACB - Emax 2



— Shuntrip / Shunt Closing

#### Aksesori/lengkapan listrik

##### Pelepas pembuka -YO / penutup -YC

Pelepas ini dimungkinkan pemutus sirkit dibuka dan ditutup secara listrik atau jarak jauh. Perintah tutup hanya dapat dilakukan bila per penutup telah dimuati (charged).

Tipe ACB <b>Emax E1.2-6.2</b>	Buka -YO		SS	Tutup -YC	
	No. ref 1SDA0...R1	Harga IDR		No. ref 1SDA0...R1	Harga IDR
24 VDC	73668	2,486,660		73681	2,486,660
48 VAC/DC	73670	2,486,660		73683	2,486,660
110..120 VAC/DC	73672	2,486,660		73685	2,486,660
220..240 VAC/DC	73674	2,337,280		73687	2,337,280
380..400 VAC	73677	2,486,660		73690	2,486,660

##### CATATAN:

Pelepas pembuka dan penutup memiliki konstruksi yang sama, oleh karena itu dapat saling ditukar satu sama lain. Fungsinya ditentukan oleh posisi dimana pelepas tersebut ditempatkan dalam pemutus sirkit.

##### Pelepas tegangan jatuh/undervoltage release - YU

Pelepas tegangan jatuh digunakan untuk membuka pemutus sirkit bila terjadi tegangan jatuh di suplai daya 35-70% Un. Pelepas ini dapat juga difungsikan sebagai pelepas (dengan menggunakan tombol tekan normal tertutup). Bila pelepas ini terpasang dalam pemutus sirkit, maka pemutus sirkit hanya dapat dioperasikan bila pelepas tegangan jatuh ini mendapatkan suplai tegangan 85-110% Un.

— UVT

Tipe ACB <b>Emax E1.2-6.2</b>	No. ref 1SDA0...R1	Harga IDR
24 VDC	73694	3,168,990
48 VAC/DC	73696	3,168,990
110..120 VAC/DC	73698	3,168,990
220..240 VAC/DC	73700	3,168,990
380..400 VAC	73703	3,168,990

##### Gawai tunda waktu elektronik untuk pelepas tegangan jatuh - UVD

Pelepas tegangan jatuh dapat dikombinasikan dengan tunda waktu elektronik untuk dipasang di luar pemutus sirkit, sehingga tertundanya trip dari pelepas tersebut dengan waktu yang dapat diset. Penggunaan pelepas tegangan jatuh dengan tunda waktu direkomendasikan untuk mencegah trip saat suplai daya untuk pelepas tersebut mendapatkan tegangan jatuh singkat (sesaat). Tunda waktu ini dirancang beroperasi bersamaan dengan pelepas tegangan jatuh dengan tegangan yang sama.

— Gawai tunda waktu elektronik

Tipe ACB <b>Emax (E1/6)</b>	No. ref 1SDA0...R1	Harga IDR
24..30 VAC/DC	38316	Call Us
48 VAC/DC	38317	Call Us
110..127 VAC/DC	38319	Call Us
220..250 VAC/DC	38320	Call Us



## Aksesori/Lengkapan

### ACB - Emax 2

1



Pencacah operasi mekanik

#### Lengkapan Mekanik

##### Counter (MOC)

Lengkapan ini dihubungkan ke mekanisme operasi dan digunakan untuk memberikan indikasi jumlah operasi mekanik pemutus sirkit. Indikasi ini dapat terlihat di bagian depan pemutus sirkit.

Tipe ACB Emax 2	E1.2		E2.2 - E6.2	
	No. ref 1SDA0...R1	Harga IDR	No. ref 1SDA0...R1	Harga IDR
Counter	73780	3,401,860	73781	3,401,860

##### Circuit Breaker Locking (KLC-PLC)

Tersedia beberapa mekanisme sehingga memungkinkan pemutus sirkit dikunci dalam posisi terbuka. Lengkapan ini dapat dikontrol oleh :

- Kunci: kunci khusus berbentuk bundar dengan berbagai kunci (untuk pemutus sirkit tunggal) atau kunci sama (untuk beberapa pemutus sirkit). Lengkapan ini tersedia sampai empat buah kunci berbeda.
- Gembok: tersedia sampai tiga buah gembok (tidak disuplai): Ø 4 mm.



Keylocks

Tipe ACB Emax 2	E1.2		E2.2 - E6.2	
	No. ref 1SDA0...R1	Harga IDR	No. ref 1SDA0...R1	Harga IDR
<b>Kunci - (KLC)</b>				
untuk 1 pemutus sirkit (beda kunci)	73782	1,550,890	73791	1,072,720
group pemutus sirkit (sama kunci No. 20005)	73783	3,688,520	73792	3,688,520

##### padlocks - (PLC)

sebagai alternatif perlengkapan kunci di atas 73800 366,080 73803 332,530  
(gembok tidak disuplai)



Padlocks

##### Chasiss Locking (KLP-PLP)

Lengkapan ini dapat dikontrol oleh kunci khusus berbentuk bundar dengan berbagai kunci (untuk pemutus sirkit tunggal) atau kunci sama (untuk beberapa pemutus sirkit - tersedia sampai empat buah kunci berbeda) dan gembok (sampai 3 buah gembok, tidak disuplai - 4 mm).

#### Lengkapan ini hanya untuk pemutus tipe drawout



Keylock pada bagian bergerak

Tipe ACB Emax 2	E1.2		E2.2 - E6.2	
	No. ref 1SDA0...R1	Harga IDR	No. ref 1SDA0...R1	Harga IDR
untuk 1 pemutus sirkit (kunci pertama)	73822	1,072,720	73806	1,072,720
untuk 1 pemutus sirkit (kunci kedua)	73823	2,139,170	73807	2,139,170

## Aksesori/Lengkapan

### ACB - Emax 2



Sinyal listrik indikasi pemutus  
sirkuit posisi racked-in /  
test isolated/racked-out

Tipe ACB Emax 2	E1.2		E2.2 - E6.2	
	No. ref 1SDA0...R1	Harga IDR	No. ref 1SDA0...R1	Harga IDR
AUP 6 kontak bantu	73762	5,207,070		
AUP 6 kontak bantu sinyal digital	73763	5,629,030		
AUP 5 kontak bantu			73764	4,081,440
AUP 5 kontak bantu sinyal digital			73765	5,629,030

### Sinyal kontak indikasi spring charged - S33 M/2 - (5d)

Lengkapan ini berupa saklar mikro yang digunakan untuk memberikan indikasi status per mekanisme operasi pemutus sirkuit telah termuati.

Lengkapan ini sebagai perlengkapan standar Built-in motorized ( S33 M/2 Type )

Tipe ACB Emax E.1.2-6.2	No. ref 1SDA0...R1	Harga IDR

### Ready to close contact (RTC)

Tipe ACB Emax 2	E1.2		E2.2 - E6.2	
	No. ref 1SDA0...R1	Harga IDR	No. ref 1SDA0...R1	Harga IDR
RTC 250 V	73770	1,677,720	73773	1,677,720
RTC 24 V	73771	1,677,720	73774	1,677,720
RTC Ekip 24 V	73772	1,677,720	73775	1,677,720



Ready to close contact

### Transformator arus untuk penghantar netral diluar pemutus sirkuit

Lengkapan ini khusus untuk pemutus sirkuit 3 kutub, dan digunakan untuk memproteksi phase netral dengan cara menghubungkannya ke unit trip

Tipe ACB Emax E.1.2-6.2	No. ref 1SDA0...R1	Harga IDR
E1.2 Ext CS N E1.2 E2.2 2000A	73736	8,850,900
E2.2 Ext CS N E2.2 2500A	73737	7,918,600
E4.2 Ext CS N E4.2 3200A	73738	7,058,300
E6.2 Ext CS N E6.2 4000A E6.2 50%	73739	7,589,200
E6.2 Ext CS N E6.2	73740	17,707,300



Transformator arus untuk netral

### CATATAN

1) sudah termasuk dalam standar pemutus sirkuit dapat diorder terpisah












## Aksesori/Lengkapan ACB

Emax 2 - Modul opsional untuk EkipTrip Unit

1

**Unit trip - Mikroprosesor (tambahan harga bila dibutuhkan unit trip diluar ACB Emax dengan unit trip standar).** Apabila dibutuhkan ACB dengan unit trip diluar standar yang ditawarkan, maka dibawah ini adalah harga unit trip sesuai kebutuhan pelanggan yang ditambahkan kepada harga ACB dengan unit trip standar yang tercantum

Tipe ACB	Unit Trip	Proteksi	Harga Tambahan
E1.2-6.2	<b>Ekip Dip</b>	LSI	8,723,990
		LSIG	21,099,540
	<b>Ekip Touch</b>	LI	12,828,420
		LSI	17,361,190
		LSIG	33,767,800

											
	Standard Protection	Standard Measures	Measuring Package	Voltage Protections	Frequency Protections	Power Protections	Adaptive Protections	Data Logger	Network Analyzer	Advanced Voltage Protections	ROCOF Protections
<b>Ekip Touch</b>	●	●	↑	↑	↑	↑	↑	↑	↑	↑	↑

### Paket Digital - Tambahan

Tipe ACB	Deskripsi	No. ref 1SDA0...R1	Harga IDR
<b>E1.2-6.2</b>	Measuring Package	1SDA107525R1	11,620,510
	Voltage Protection	1SDA105227R1	14,908,300
	Advanced Voltage Protection	1SDA105228R1	14,908,300
	Frequency Protection	1SDA105229R1	7,454,150
	Power Protection	1SDA105230R1	17,889,850
	ROCOF Protection	1SDA105231R1	17,889,850
	Adaptive Protection	1SDA105232R1	2,981,660
	Data Logger	1SDA105233R1	5,963,320
<b>EX.2</b>	Network Analyzer	1SDA105234R1	14,908,300
	Power & Energy Class 1 (terpasang di unit ACB )	1SDA10755XR1	5,963,320

\* (E1.2 = 1; E2.2 = 5; E4.2 =6; E6.2=7)

### Aksesoris Komunikasi

Power Supply 110-240 VAC/VDC	74172	4,667,300
Ekip Link	74163	9,481,010
Ekip Com Actuator	74166	5,270,650
Ekip Com Modbus RS-485	74150	14,371,280
Ekip Com Modbus TCP	74151	17,245,030
Ekip Multimeter FP Display	74192	Call Us
Ekip Control Panel up to 10 CB	74311	Call Us

1

# Interlok

## ACB - Emax 2

Jenis interlok mekanis untuk 2 ACB atau 3 ACB diperlihatkan dalam gambar berikut ini

Suplai daya emergensi biasanya diinstal untuk mengambil alih suplai daya normal dalam dua kasus :

- untuk suplai daya layanan kesehatan dan keselamatan untuk suplai daya bagian instalasi yang penting dibutuhkan selain untuk keselamatan (contoh siklus kontinyu di industri). Interlok mekanis antara dua atau tiga pemutus sirkit dipasang dengan menggunakan kabel baik secara horizontal maupun secara vertikal yang dipasang di pemutus sirkit.

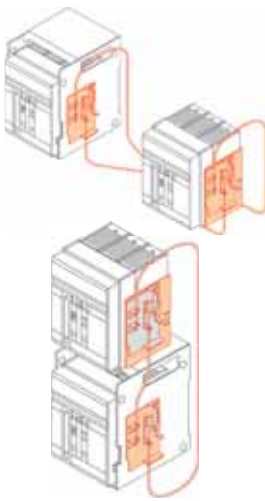
Switsing dari power suplai normal ke emergensi dapat dilakukan secara manual (lokal atau remote) atau secara otomatis. Pemutus sirkit yang digunakan untuk switsing harus dipasang dengan lengkapan yang dibutuhkan sehingga memungkinkan kontrol listrik jarak jauh dan interlok mekanik. Lengkapan yang dibutuhkan antara lain:

- pelepas pembuka
- pelepas
- motoris
- lengkapan kontak bantu

Jenis interlok	Rangkaian	Kemungkinan interlok																								
<b>Antara dua pemutus sirkit</b>	<p style="text-align: center;">0 = CB terbuka 1 = CB tertutup</p>	<p>CB 1 hanya dapat ditutup bila CB 2 terbuka dan sebaliknya.</p> <table border="1" style="margin-left: auto; margin-right: auto;"> <tr><td>1</td><td>2</td></tr> <tr><td>0</td><td>0</td></tr> <tr><td>1</td><td>0</td></tr> <tr><td>0</td><td>1</td></tr> </table>	1	2	0	0	1	0	0	1																
1	2																									
0	0																									
1	0																									
0	1																									
<b>Antara tiga pemutus sirkit</b>	<p style="text-align: center;">0 = CB terbuka 1 = CB tertutup</p>	<p>CB 1 dan 3 hanya dapat ditutup bila CB 2 terbuka. CB 2 hanya dapat ditutup bila CB 1 dan 3 terbuka.</p> <table border="1" style="margin-left: auto; margin-right: auto;"> <tr><td>1</td><td>2</td><td>3</td></tr> <tr><td>0</td><td>0</td><td>0</td></tr> <tr><td>1</td><td>0</td><td>0</td></tr> <tr><td>0</td><td>0</td><td>1</td></tr> <tr><td>1</td><td>0</td><td>1</td></tr> <tr><td>0</td><td>1</td><td>0</td></tr> </table>	1	2	3	0	0	0	1	0	0	0	0	1	1	0	1	0	1	0						
1	2	3																								
0	0	0																								
1	0	0																								
0	0	1																								
1	0	1																								
0	1	0																								
<b>Antara tiga pemutus sirkit</b>	<p style="text-align: center;">0 = CB terbuka 1 = CB tertutup</p>	<p>Salah satu atau dua dari tiga pemutus sirkit dapat ditutup pada saat yang sama.</p> <table border="1" style="margin-left: auto; margin-right: auto;"> <tr><td>1</td><td>2</td><td>3</td></tr> <tr><td>0</td><td>0</td><td>0</td></tr> <tr><td>1</td><td>0</td><td>0</td></tr> <tr><td>0</td><td>1</td><td>0</td></tr> <tr><td>0</td><td>0</td><td>1</td></tr> <tr><td>0</td><td>1</td><td>1</td></tr> <tr><td>1</td><td>1</td><td>0</td></tr> <tr><td>1</td><td>0</td><td>1</td></tr> </table>	1	2	3	0	0	0	1	0	0	0	1	0	0	0	1	0	1	1	1	1	0	1	0	1
1	2	3																								
0	0	0																								
1	0	0																								
0	1	0																								
0	0	1																								
0	1	1																								
1	1	0																								
1	0	1																								
<b>Antara tiga pemutus sirkit</b>	<p style="text-align: center;">0 = CB terbuka 1 = CB tertutup</p>	<p>Hanya salah satu dari tiga pemutus sirkit dapat ditutup.</p> <table border="1" style="margin-left: auto; margin-right: auto;"> <tr><td>1</td><td>2</td><td>3</td></tr> <tr><td>0</td><td>0</td><td>0</td></tr> <tr><td>1</td><td>0</td><td>0</td></tr> <tr><td>0</td><td>1</td><td>0</td></tr> <tr><td>0</td><td>0</td><td>1</td></tr> </table>	1	2	3	0	0	0	1	0	0	0	1	0	0	0	1									
1	2	3																								
0	0	0																								
1	0	0																								
0	1	0																								
0	0	1																								

**Interlok**

ACB - Emax 2



Tipe ACB	Jenis Interlock	No. ref 1SDA0...R1	Harga IDR
<b>Kabel Interlock (1)</b>			
E1.2 - E6.2	Type A horizontal	73881	1,652,090
E2.2 - E6.2	Type B/C/D horizontal	73882	4,831,530
E1.2 - E6.2	Type A vertical	73885	1,633,060
E2.2 - E6.2	Type B/C/D vertical	73886	4,581,830

Tipe ACB	3 Poles		4 Poles	
	No. ref 1SDA0...R1	Harga IDR	No. ref 1SDA0...R1	Harga IDR
<b>Komponen terpasang dalam pemutus</b>				
E2.2	73889	1,166,700	73889	1,283,370
E4.2	73890	1,617,600	73890	1,779,360
E6.2	73891	1,945,300	73892	2,568,060

\* untuk ACB E1.2 tidak memerlukan komponen terpasang dalam pemutus

Tipe ACB	Jenis Interlock	No. ref 1SDA0...R1	Harga IDR
<b>Komponen terpasang di luar pemutus jenis tetap</b>			
E1.2	A	73893	4,208,380
E2.2 - E6.2	A/B/D	73895	1,913,450
E2.2 - E6.2	C	73897	1,514,700

Tipe ACB	Jenis Interlock	No. ref 1SDA0...R1	Harga IDR
<b>Komponen terpasang di luar pemutus jenis tarik</b>			
E1.2	A	73896	4,208,380
E2.2 - E6.2	A/B/D	73895	1,913,450
E2.2 - E6.2	C	73897	1,514,700

**CATATAN**

kabel interlok untuk setiap tipe, cukup diorder 1 unit  
 untuk komponen interlok yang dipasang didalam dan diluar pemutus sirkit di order  
 sesuai jumlah ACB

## Saklar Tukar Sumber Otomatis - ATS021, ATS022 <sup>(1)</sup>

### ACB - Emax 2



ATS021

Untuk membangun saklar sumber otomatis dengan ATS021/ATS022 untuk dua pemutus sirkit Emax, maka diperlukan lengkapan yang harus dipasang di dalam pemutus sirkit tersebut.

Tipe ACB Emax (E1/6)	CB Normal No. ref	CB Emergensi No. ref
<b>Untuk E1-E6, jenis pasang tetap (F/T)</b>	<b>Untuk E1-E6, jenis tarik (D/O)</b>	
Interlok mekanik untuk dua CB	Interlok mekanik untuk dua CB	
YO (pelepas pembuka), 220..240 VAC	Kontak CB posisi connected, isolated, test	
YC (pelepas penutup), 220..240 VAC	YO (pelepas pembuka), 220..240 VAC	
Mekanisme motor, 220...250 VAC	YC (pelepas penutup), 220..240 VAC	
	Mekanisme motor, 220...250 VAC	

Catatan :

Spesifikasi teknis ATS021 / ATS022 lihat hal.

Harga lihat hal.



ATS022

#### Saklar tukar otomatis - ATS021 / ATS022

Tipe	No. ref 1SDA0...R1	Harga IDR
ATS021 untuk 2 CB	65523	25,567,740
ATS022 untuk 3 CB (* 2 supply daya )	65524	53,958,080

# Pemutus Sirkuit Tenaga (MCCB) FORMULA

## Pendahuluan

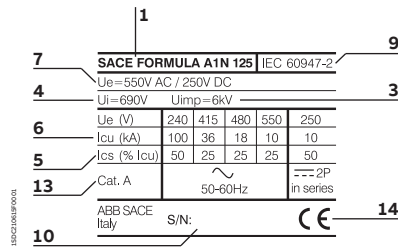
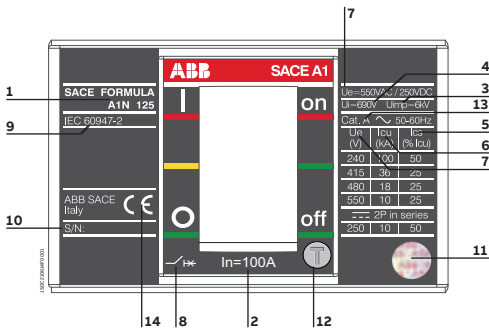
Produk terbaru MCCB seri Formula dari ABB SACE tersedia dalam tiga ukuran frame terbaru : A1, A2 dan A3. Ketiga ukuran frame (A1,A2, A3) ini dengan arus nominal sampai 125 A untuk A1, 250 A untuk A2 dan 630 A untuk A3. MCCB seri Formula tersedia dalam bentuk desain yang kompak pemasangan jenis tetap (fixed version), dengan sambungan terminal depan.

Seri MCCB Formula dari ABB Sace dengan kualitas dan kehandalan tinggi, simpel dalam pemasangan, pemilihan yang mudah dengan ukuran yang sangat kompak sehingga menghemat space panel.

MCCB seri Formula tersedia mulai dari kutub tunggal, dua kutub, tiga kutub sampai dengan 250A, tiga dan empat kutub sampai dengan 630A

### Karakteristik umum :

Karakteristik umum dari pada MCCB seri FORMULA dapat dilihat pada label sisi depan dan sisi samping



1. Name of the circuit-breaker and performance level
2. In : rated uninterrupted current
3. Uimp : rated impulse withstand voltage
4. UI : insulation voltage
5. Ics : rated short-circuit service breaking capacity
6. Icu : rated ultimated short-circuit breaking capacity
7. Ue : rated service voltage
8. Symbol of isolation behavior
9. Reference Standard IEC 60947-2
10. Serial number
11. Anti-forgery
12. Test pushbutton
13. Category of use
14. CE Marking

Aksesori yang lengkap dan komplit mulai dari sambungan terminal, handel putar, gawai penguncian, tutup pelindung terminal serta interlok mekanis tersedia dan dapat dipilih sesuai kebutuhan dan aplikasi yang diinginkan.

MCCB seri FORMULA berikut alat bantu dan aksesorisnya mengacu ke standar IEC 60947-2 dan directives :

- EC directive : "Low Voltage Directive" (LVD) no. no. 2006/95/CE (sebagai ganti 73/23/CEE).
- EC directive : "Electromagnetic Compattibility Directive" (EMC) no.. 89/336 EEC.

MCCB dari ABB SACE dapat digunakan dalam kondisi suhu ambien bervariasi antara -25°C dan +70°C. Fitur yang lain adalah dapat digunakan atau dioperasikan pada ketinggian 2000 m diatas permukaan laut tanpa penurunan unjuk-kerja. Untuk MCCB yang dilengkapi dengan unit trip elektronik, operasi proteksinya dijamin tidak terpengaruh adanya interferensi yang disebabkan oleh medan elektromagnetik.

## Pemutus Sirkit Tenaga (MCCB) - Formula A1

(3P- 4P) In : 15 s/d 100 A

Standard	<b>IEC 60947-2</b>
Kapasitas pemutusan ( <b>Icu</b> )	pada tegangan 380/415 VAC
Proteksi/trip unit :	<b>TMF</b> (unit trip thermal-magnetis dg ambang setelan tetap) I1 = 1xIn ( <i>non-adjustable</i> ); I3 = fixed
Ukuran LxDxT (mm)	3P = 76.2x60x130                      4P = 101.6x60x130
Jenis koneksi	front terminal (F) Ukuran netral 100% untuk 4P
Tipe instalasi	jenis pasang tetap (fixed type)

Formula A1	In A	I3 A	3P		4P	
			No. ref 1SDA0...R1	Harga IDR	No. ref 1SDA0...R1	Harga IDR
<b>Unit Trip</b>						
<b>A1A - Icu (380/415 VAC) = 10 kA</b>						
TMF - 15	15	300	66510	880,660	66524	1,659,790
TMF - 20	20	300	66511	880,660	66525	1,659,790
TMF - 25	25	300	66512	880,660	66526	1,659,790
TMF - 30	30	300	66513	880,660	66527	1,659,790
TMF - 40	40	400	66514	880,660	66528	1,659,790
TMF - 50	50	500	66515	880,660	66529	1,659,790
TMF - 60	60	600	66516	974,270	66530	1,811,260
TMF - 70	70	700	66517	974,270	66531	1,811,260
TMF - 80	80	800	66518	974,270	66532	1,811,260
TMF - 90	90	900	66519	974,270	66533	1,811,260
TMF - 100	100	1000	66520	974,270	66534	1,811,260
<b>A1B - Icu (380/415 VAC) = 18 kA</b>						
TMF - 15	15	300	66697	1,090,540	66733	1,844,150
TMF - 20	20	300	66698	1,090,540	66734	1,844,150
TMF - 25	25	300	66699	1,090,540	66735	1,844,150
TMF - 30	30	300	66700	1,090,540	66736	1,844,150
TMF - 40	40	400	66701	1,090,540	66737	1,844,150
TMF - 50	50	500	66702	1,090,540	66738	1,844,150
TMF - 60	60	600	66703	1,190,750	66739	2,012,560
TMF - 70	70	700	66704	1,190,750	66740	2,012,560
TMF - 80	80	800	66705	1,190,750	66741	2,012,560
TMF - 90	90	900	66706	1,190,750	66742	2,012,560
TMF - 100	100	1000	66707	1,190,750	66743	2,012,560
<b>A1C - Icu (380/415 VAC) = 25 kA</b>						
TMF - 15	15	300	66709	1,195,260	66745	1,881,000
TMF - 20	20	300	66710	1,195,260	66746	1,881,000
TMF - 25	25	300	66711	1,195,260	66747	1,881,000
TMF - 30	30	300	66712	1,195,260	66748	1,881,000
TMF - 40	40	400	66713	1,195,260	66749	1,881,000
TMF - 50	50	500	66714	1,195,260	66750	1,881,000
TMF - 60	60	600	66715	1,315,270	66751	2,052,820
TMF - 70	70	700	66716	1,315,270	66752	2,052,820
TMF - 80	80	800	66717	1,315,270	66753	2,052,820
TMF - 90	90	900	66718	1,315,270	66754	2,052,820
TMF - 100	100	1000	66719	1,315,270	66755	2,052,820





## Pemutus Sirkit Tenaga (MCCB) - Formula A1

(3P- 4P) In : 15 s/d 100 A

Formula A1	In A	I3 A	3P		4P	
			No. ref 1SDA0...R1	Harga IDR	No. ref 1SDA0...R1	Harga IDR
<b>Unit Trip</b>						
<b>A1N - Icu (380/415 VAC) = 36/30 kA</b>						
TMF - 15	15	300	66721	1,258,180	66757	1,913,670
TMF - 20	20	300	66722	1,258,180	66758	1,913,670
TMF - 25	25	300	66723	1,258,180	66759	1,913,670
TMF - 30	30	300	66724	1,258,180	66760	1,913,670
TMF - 40	40	400	66725	1,258,180	66761	1,913,670
TMF - 50	50	500	66726	1,258,180	66762	1,913,670
TMF - 60	60	600	66727	1,384,460	66763	2,160,840
TMF - 70	70	700	66728	1,384,460	66764	2,160,840
TMF - 80	80	800	66729	1,384,460	66765	2,160,840
TMF - 90	90	900	66730	1,384,460	66766	2,160,840
TMF - 100	100	1000	66731	1,384,460	66767	2,160,840

1

## Pemutus Sirkit Tenaga (MCCB) - Formula A2

(3P- 4P) In : 125 s/d 250 A

Standard	<b>IEC 60947-2</b>
Kapasitas pemutusan ( <b>Icu</b> )	pada tegangan 380/415 VAC
Proteksi/trip unit :	<b>TMF</b> (unit trip thermal-magnetis dg ambang setelan tetap) I1 = 1xIn ( <i>non-adjustable</i> ); I3 = 10xIn ( <i>non-adjustable</i> )
Ukuran LxDxT (mm)	3P = 105x60x150 4P = 140x60x150
Jenis koneksi	front terminal (F) Ukuran netral 100% untuk 4P
Tipe instalasi	jenis pasang tetap (fixed type)

Formula A2	In [A]	I3 (A)	3P		4P	
			No. ref 1SDA0...R1	Harga IDR	No. ref 1SDA0...R1	Harga IDR
<b>A2B - Icu (380/415 VAC) = 18 kA</b>						
TMF - 125	125	1250	66548	1,949,750	66554	2,624,270
TMF - 160	160	1600	66549	2,003,210	66555	2,725,360
TMF - 200	200	2000	66551	2,108,810	66557	2,941,840
TMF - 225	225	2250	66552	2,108,810	66558	2,941,840
TMF - 250	250	2500	66553	2,108,810	66559	2,941,840
<b>A2C - Icu (380/415 VAC) = 25 kA</b>						
TMF - 125	125	1250	66775	2,124,760	66787	2,915,880
TMF - 160	160	1600	66776	2,215,620	66788	3,028,190
TMF - 200	200	2000	66778	2,633,950	66790	3,268,650
TMF - 225	225	2250	66779	2,633,950	66791	3,268,650
TMF - 250	250	2500	66780	2,633,950	66792	3,268,650
<b>A2N - Icu (380/415 VAC) = 36 kA</b>						
TMF - 125	125	1250	66781	2,428,140	66793	3,278,000
TMF - 160	160	1600	66782	2,633,950	66794	3,641,550
TMF - 200	200	2000	66784	2,738,120	66796	3,799,180
TMF - 225	225	2250	66785	2,738,120	66797	3,799,180
TMF - 250	250	2500	66786	2,738,120	66798	3,799,180



**Pemutus Sirkit Tenaga (MCCB) - Formula A3**  
(3P- 4P) In : 320 s/d 630 A



Standard  
Kapasitas pemutusan (**Icu**)  
Proteksi/trip unit :

Ukuran LxDxT (mm)  
Jenis koneksi  
Tipe instalasi

**IEC 60947-2**  
pada tegangan 380/415 VAC  
**TMF** (unit trip thermal-magnetis dg ambang setelan tetap) untuk A3 s/d 500A  
**ELT LI** (unit trip elektronik dg ambang setelan tetap) untuk A3 : 630A  
*I1 = 1xIn (non-adjustable); I3 = 10xIn (non-adjustable)*  
3P = 139.5x103.5x205      4P = 186x103.5x205  
front terminal (F) Ukuran netral 100% untuk 4P  
jenis pasang tetap (fixed type)

Formula A3	In [A]	I3 (A)	3P		4P	
			No. ref 1SDA0...R1	Harga IDR	No. ref 1SDA0...R1	Harga IDR
<b>Unit Trip</b>						
<b>A3N - 36 kA</b>						
TMF - 320	320	3200	66560	4,563,570	66568	
TMF - 400	400	4000	66561	4,935,040	66569	
TMF - 500	500	5000	66564	8,348,010	66572	
ELT LI - 630	630	6000	66566	9,185,880	66574	
<b>A3S - 50 kA</b>						
TMF - 320	320	3200	66562	5,637,940	66570	
TMF - 400	400	4000	66563	5,984,110	66571	
TMF - 500	500	5000	66565	9,238,020	66573	
ELT LI - 630	630	6000	66567	10,643,820	66575	

Untuk produk yang harganya belum tercantum, harap menghubungi kami.

## Aksesori/lengkapan

### MCCB FORMULA (A1 - A3)

#### Aksesori/lengkapan listrik

##### Pelepas *shunt opening* - SOR-C

Pelepas shunt opening versi kabel dimungkinkan pemutus sirkit buka melalui komando sinyal listrik. Operasi pelepas ini dijamin pada tegangan antara 70% dan 110% dari tegangan nominal  $U_n$ .



Cabled service release  
SOR-C and UVR-C

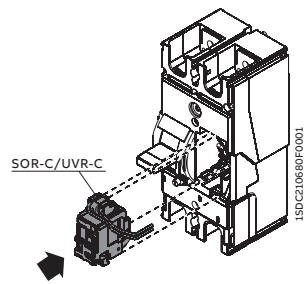
MCCB Formula	Deskripsi	No. ref 1SDA0...R1	Harga IDR
A1-A2	SOR-C 12 VDC	66133	725,670
versi kabel	SOR-C 24..30 VAC/DC	66134	725,670
	SOR-C 48..60 VAC/DC	66135	725,670
	SOR-C 110..127 VAC - 110..125 VDC	66136	725,670
	SOR-C 220..240 VAC - 220..250 VDC	66137	725,670
	SOR-C 380..440 VAC	66138	725,670
A3	SOR-C 12 VDC	54869	1,384,460
versi kabel	SOR-C 24..30 VAC/DC	54870	1,384,460
	SOR-C 48..60 VAC/DC	54871	1,384,460
	SOR-C 110..127 VAC - 110..125 VDC	54872	1,384,460
	SOR-C 220..240 VAC - 220..250 VDC	54873	1,384,460
	SOR-C 380..440 VAC	54874	1,384,460

##### Pelepas tegangan jatuh/*undervoltage release* - UVR-C

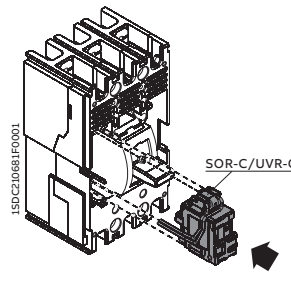
Pelepas tegangan jatuh, membuka pemutus sirkit bila terjadi tegangan suplai jatuh dibawah  $0.7 \times U_n$  dengan range trip mulai  $0.7$  s/d  $0.35 \times U_n$ .

Pemutus sirkit hanya dapat dioperasikan setelah trip (dapat di 'ON' kembali), bila pelepas tegangan jatuh ini mendapatkan suplai tegangan lebih tinggi dari  $0.85 \times U_n$ .

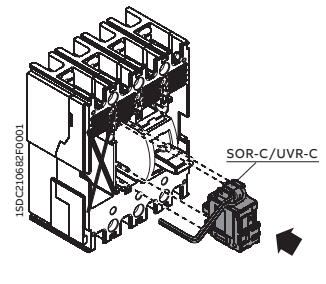
Type MCCB	Deskripsi	No. ref 1SDA0...R1	Harga IDR
A1-A2	UVR-C 24..30 VAC/DC	66143	1,459,260
versi kabel	UVR-C 48 VAC/DC	66144	1,459,260
	UVR-C 110..127 VAC - 110..125 VDC	66145	1,459,260
	UVR-C 220..240 VAC - 220..250 VDC	66146	1,459,260
	UVR-C 380..440 VAC	66147	1,459,260
A3	UVR-C 24..30 VAC/DC	54887	1,845,470
versi kabel	UVR-C 48 VAC/DC	54888	1,845,470
	UVR-C 60 VAC/DC	54889	1,845,470
	UVR-C 110..127 VAC - 110..125 VDC	54890	1,845,470
	UVR-C 220..240 VAC - 220..250 VDC	54891	1,845,470
	UVR-C 380..440 VAC	54892	1,845,470



Two-pole circuit-breaker



Three-pole circuit-breaker



Four-pole circuit-breaker

## Aksesori/lengkapan

### MCCB FORMULA (A1 - A3)

#### Aksesori/lengkapan listrik

##### Kontak bantu Indikasi pemutus sirkit (Auxiliary contact) - Aux-C

Indikasi ini berupa kontak bantu yang mengindikasikan status daripada pemutus sirkit untuk ditarik/ditampilkan keluar Sinyal/indikasi yang tersedia :

- Buka/tutup (**Q**) : mengindikasikan status kontak dari pemutus sirkit
- Indikasi trip (**SY**) : mengindikasikan status buka dari pada pemutus sirkit sebagai akibat trip yg dipicu oleh unit trip (beban lebih atau hubung pendek), status buka pemutus sirkit sebagai akibat pelepas tegangan (SOR-C atau UVR-C), atau sebagai akibat diaktivasinya tombol (SY)
- Spare part : bisa sebagai **Q** atau **SY** tergantung pada slot pemutus sirkit dimana kontak bantu dipasang



Cabled auxiliary contact

MCCB Formula	Deskripsi	No. ref 1SDA0...R1	Harga IDR
<b>AUX-C (versi kabel) indikasi buka/tutup (Q) dan indikasi trip (SY)</b>			
A1 - (2p)	Aux-C 1Q + 1SY 250V AC/DC	66151	886,050
A1 - (3-4p)	Aux-C 1Q + 1SY 250V AC/DC	66149	886,050
A2 - (2p)	Aux-C 2Q + 1SY 250V AC/DC	66152	998,580
A2 - (3-4p)	Aux-C 1Q + 1SY 250V AC/DC	66149	886,050
	Aux-C 2Q + 1SY 250V AC/DC	66150	1,087,350
A3 - (3-4p)	Aux-C 1Q 1SY 250V AC/DC	54910	1,101,210
	Aux-C 3Q 1SY 250V AC/DC	54911	2,202,420

##### Mekanisme pengoperasian dengan handel putar

Sebagai fasilitas pengoperasian dengan desain bentuk handel yang ergonomik untuk buka/tutup pemutus sirkit Dilengkapi dengan gawai pengunci pada pasisi buka untuk mencegah pemutus sirkit di 'ON' Handel putar baik yang langsung dan dengan sambungan hanya tersedia untuk MCCB Formula versi 3 dan 4 kutub.



Direct handle (RHD)

MCCB Formula	Deskripsi	No. ref 1SDA0...R1	Harga IDR
<b>Handel putar (langsung)-RHD</b>			
A1-A2	RHD-Operating mechanism direct handle	66154	805,860
A3	RHD-Operating mechanism direct handle	66155	1,306,250
<b>Handel putar dengan sambungan-RHE</b>			
A1-A2	RHE-Operating mechanism transmitted handle	66158	1,171,280
A3	RHE-Operating mechanism transmitted handle	66159	1,929,730



Transmitted handle (RHE)

## Pemutus Sirkuit Tenaga (MCCB) - Tmax XT

### Pendahuluan

Produk MCCB seri Tmax dari ABB SACE tersedia dalam tujuh ukuran frame : mulai XT1, XT2, XT3, XT4, XT5, XT6 dan XT7, mencakup arus layanan tak terinterupsi sampai 1600 A. Semua MCCB seri Tmax baik 3-kutub dan 4-kutub tersedia dalam versi jenis tetap (fixed type). Mulai XT2 - XT5 tersedia dalam versi jenis tusuk (plug-in) dan mulai XT4 - T7 tersedia dalam versi jenis tarik (withdrawable).

Nilai kapasitas pemutusan Icu sesuai standar IEC 60947-2, MCCB Tmax dinyatakan pada tegangan layanan 380/415 V teridentifikasi oleh huruf pengenalan sebagai berikut :

- B 18 kA
- C 25 kA
- N 36 kA
- S 50 kA
- H 70 kA
- L 120 kA untuk XT2, XT4, XT5 dan XT7

Semua MCCB Tmax dapat dioperasikan (On dan Off) secara manual dengan pengoperasian tuas togel atau handel putar dan dapat juga dioperasikan secara listrik (otomatis).

Pengoperasian secara listrik (otomatis) tersedia beberapa solusi :

- dengan mekanisme motor selenoid untuk XT1 dan XT3
- dengan operator motor energi tersimpan untuk XT2, XT4, XT5 dan XT6
- Untuk T7M menggunakan mekanisme operator gear motor (spring charged) dengan mengisi pegas penutup secara otomatis

Jangkauan yang luas alat bantu listrik mulai dari pelepas shunt opening, pelepas tegangan jatuh, kontak bantu, mekanisme motor dengan tegangan kerja yang luas dan lengkap.

Aksesori yang lengkap dan komplit mulai dari sambungan terminal, handel putar, gawai penguncian, tutup pelindung terminal serta interlok mekanis tersedia dan dapat dipilih sesuai kebutuhan dan aplikasi yang diinginkan.

MCCB seri Tmax berikut alat bantu dan aksesorisnya mengacu ke standar IEC 60947-2 dan EC (European Conformity) untuk :

- Low Voltage Directive (LVD) no. 72/73 EEC.
- Electromagnetic Compattibility Directive (EMC) n0. 89/336 EEC.

MCCB dari ABB SACE dapat digunakan dalam kondisi suhu ambien bervariasi antara -25°C dan +70°C. Fitur yang lain adalah dapat digunakan atau dioperasikan pada ketinggian 2000 m diatas permukaan laut tanpa penurunan unjuk-kerja. Untuk MCCB yang dilengkapi dengan unit trip elektronik, operasi proteksinya dijamin tidak terpengaruh adanya interferensi yang disebabkan oleh medan elektromagnetik.

## Pemutus Sirkit Tenaga (MCCB) - Tmax XT1 (3P - 4P), 100A

Standard	<b>IEC 60947-2</b>
Kapasitas pemutusan (Icu)	pada tegangan 415V AC
	Tipe: <b>B</b> <b>C</b> <b>N</b>
	<b>18kA</b> <b>25kA</b> <b>36kA</b>
Proteksi/trip unit	TMD (thermal-magnetis): proteksi beban distribusi
	I1 = 0.7-1xIn (adjustable)      I3 = 10xIn (non-adjustable)
Ukuran LxDxT (mm)	3P = 76.2 x 70 x 130      4P = 101.6 x 70 x 130
Fixed type, front connection	
Ics= 100% Icu	



Unit Trip	I1 [A]	I3 [A]	3P		4P	
			No. ref 1SDA0...R1	Harga IDR	No. ref 1SDA0...R1	Harga IDR
<b>Tmax XT1B - Icu (415V) = 18kA</b>						
TMD-16	16	450	66799	1,426,370	66810	2,069,320
TMD-20	20	450	66800	1,426,370	66811	2,069,320
TMD-25	25	450	66801	1,426,370	66812	2,069,320
TMD-32	32	450	66802	1,426,370	66813	2,069,320
TMD-40	40	450	66803	1,426,370	66814	2,069,320
TMD-50	50	500	66804	1,426,370	66815	2,069,320
TMD-63	63	630	66805	1,470,810	66816	2,131,580
TMD-80	80	800	66806	1,470,810	66817	2,131,580
TMD-100	100	1000	66807	1,470,810	66818	2,131,580
<b>Tmax XT1C - Icu (415) = 25kA</b>						
TMD-25	25	450	67391	1,484,670	67400	2,211,440
TMD-32	32	450	67392	1,484,670	67401	2,211,440
TMD-40	40	450	67393	1,484,670	67402	2,211,440
TMD-50	50	500	67394	1,484,670	67403	2,211,440
TMD-63	63	630	67395	1,500,730	67404	2,405,040
TMD-80	80	800	67396	1,500,730	67405	2,405,040
TMD-100	100	1000	67397	1,500,730	67406	2,405,040
<b>Tmax XT1N - Icu (415V) = 36kA</b>						
TMD-32	32	450	67411	1,603,580	67419	2,458,060
TMD-40	40	450	67412	1,603,580	67420	2,458,060
TMD-50	50	500	67413	1,603,580	67421	2,458,060
TMD-63	63	630	67414	1,651,760	67422	2,531,100
TMD-80	80	800	67415	1,651,760	67423	2,531,100
TMD-100	100	1000	67416	1,651,760	67424	2,531,100

1

## Pemutus Sirkuit Tenaga (MCCB) - Tmax XT2

(3P - 4P), 160A

Standard	<b>IEC 60947-2</b>
Kapasitas pemutusan (Icu)	pada tegangan 415V AC Tipe: <b>N</b> <b>S</b> <b>H</b> <b>36kA</b> <b>50kA</b> <b>70kA</b>
Proteksi/trip unit	<b>TMD</b> (thermal-magnetis): proteksi beban distribusi I1 = 0.7-1xIn (adjustable)   I3 = 10xIn (non-adjustable) <b>TMA</b> (thermal-magnetis): proteksi beban distribusi I1 = 0.7-1xIn (adjustable)   I3 = 5...10xIn (adjustable) <b>Ekip LS/I</b> (electronic): setelan arus lebih (I1) dan magnetis (I3) dapat diubah Proteksi dengan selektivitas untuk kontinuitas pelayanan sumber daya
Ukuran LxDxT (mm)	3P = 90 x 82.5 x 130           4P = 120 x 82.5 x 130
Fixed type, front connection	
Ics= 100% Icu	



Unit Trip	I1 [A]	I3 [A]	3P		4P	
			No. ref 1SDA0...R1	Harga IDR	No. ref 1SDA0...R1	Harga IDR
<b>Tmax XT2N - Icu (415V) = 36kA</b>						
TMD-16	16	300	67010	1,960,420	67031	2,886,070
TMD-25	25	300	67012	1,960,420	67033	2,886,070
TMD-32	32	320	67013	1,960,420	67034	2,886,070
TMA-40	40	400	67014	1,960,420	67035	2,886,070
TMA-50	50	500	67015	1,960,420	67036	2,886,070
TMA-63	63	630	67016	2,120,800	67037	2,972,200
TMA80	80	800	67017	2,120,800	67038	2,972,200
TMA-100	100	1000	67018	2,120,800	67039	2,972,200
TMA-125	125	1250	67019	2,980,010	67042	4,199,250
TMA-160	160	1600	67020	3,780,480	67043	5,410,240
Ekip LS/I In=100A	40-100	1 -10 In	67057	5,723,520	67093	6,998,310
Ekip LS/I In=160A	64-160	1 - 10 In	67058	6,008,090	67095	7,360,430



## Pemutus Sirkit Tenaga (MCCB) - Tmax XT2

(3P - 4P), 160A

1



Unit Trip	I1 [A]	I3 [A]	3P		4P	
			No. ref 1SDA0...R1	Harga IDR	No. ref 1SDA0...R1	Harga IDR
<b>Tmax XT2S - Icu (415V) = 50kA</b>						
TMD-16	16	300	67550	2,331,890	67571	3,535,400
TMD-25	25	300	67552	2,331,890	67573	3,535,400
TMD-32	32	320	67553	2,331,890	67574	3,535,400
TMA-40	40	400	67554	2,331,890	67575	3,535,400
TMA-50	50	500	67555	2,331,890	67576	3,535,400
TMA-63	63	630	67556	2,402,730	67577	3,640,670
TMA80	80	800	67557	2,402,730	67578	3,640,670
TMA-100	100	1000	67558	2,402,730	67579	3,640,670
TMA-125	125	1250	67559	3,235,320	67582	4,738,690
TMA-160	160	1600	67560	3,864,630	67583	5,661,480
Ekip LS/I In=100A	40-100	1 -10 In	67803	6,295,410	67836	7,554,250
Ekip LS/I In=160A	64-160	1 - 10 In	67804	6,590,760	67838	8,649,960
<b>Tmax XT2H - Icu (415V) = 70kA</b>						
TMD-16	16	300	67594	2,760,890	67615	4,184,620
TMD-25	25	300	67596	2,760,890	67617	4,184,620
TMD-32	32	320	67597	2,760,890	67618	4,184,620
TMA-40	40	400	67598	2,760,890	67619	4,184,620
TMA-50	50	500	67599	2,760,890	67620	4,184,620
TMA-63	63	630	67600	2,841,080	67621	4,310,680
TMA80	80	800	67601	2,841,080	67622	4,310,680
TMA-100	100	1000	67602	2,841,080	67623	4,310,680
TMA-125	125	1250	67603	3,736,370	67626	5,443,240
TMA-160	160	1600	67604	4,536,840	67627	6,502,870
Ekip LS/I In=100A	40-100	1 -10 In	67860	7,603,640	67893	8,474,950
Ekip LS/I In=160A	64-160	1 - 10 In	67861	7,772,050	67895	9,748,420

1

## Pemutus Sirkuit Tenaga (MCCB) - Tmax XT3 - XT4 (3P - 4P), 250A

Standard	<b>IEC 60947-2</b>			
Kapasitas pemutusan (Icu)	pada tegangan 415V AC			
	Tipe:	<b>N</b>	<b>S</b>	<b>H</b>
		<b>36kA</b>	<b>50kA</b>	<b>70kA</b>
Proteksi/trip unit	<b>TMD</b> (thermal-magnetis): proteksi beban distribusi I1 = 0.7-1xIn (adjustable)      I3 = 10xIn (non-adjustable) <b>TMA</b> (thermal-magnetis): proteksi beban distribusi I1 = 0.7-1xIn (adjustable)      I3 = 5...10xIn (adjustable) <b>Ekip LS/I</b> (electronic): setelan arus lebih (I1) dan magnetis (I3) dapat diubah Proteksi dengan selektivitas untuk kontinuitas pelayanan sumber daya			
Ukuran LxDxT (mm) <b>XT3</b>	3P = 105 x 70 x 150	4P = 140 x 70 x 150		
Ukuran LxDxT (mm) <b>XT4</b>	3P = 105 x 82.5 x 160	4P = 140 x 82.5 x 160		
Fixed type, front connection				
Ics = 100% Icu ( XT4 only )				



Unit Trip	I1 [A]	I3 [A]	3P		4P	
			No. ref 1SDA0...R1	Harga IDR	No. ref 1SDA0...R1	Harga IDR
<b>Tmax XT3N - Icu (415V) = 36kA</b>						
TMD-200	200	2000	68058	3,455,760	68069	4,832,410
TMD-250	250	2500	68059	3,558,610	68070	4,976,840
<b>Tmax XT3S - Icu (415V) = 50kA</b>						
TMD-200	200	2000	68220	4,566,210	68231	5,611,210
TMD-250	250	2500	68221	4,566,210	68232	5,611,210

Unit Trip	I1 [A]	I3 [A]	3P		4P	
			No. ref 1SDA0...R1	Harga IDR	No. ref 1SDA0...R1	Harga IDR
<b>Tmax XT4N - Icu (415V) = 36kA</b>						
TMA-200	200	2000	68090	4,091,890	68109	5,793,590
TMA-250	250	2500	68092	4,210,800	68111	5,793,590
Ekip LS/I In=250A	100-250	1-10 In	68126	6,835,290	68147	9,227,350
<b>Tmax XT4S - Icu (415V) = 50kA</b>						
TMA-200	200	2000	68310	4,714,600	68329	6,523,550
TMA-250	250	2500	68312	4,714,600	68331	6,523,550
Ekip LS/I In=250A	100-250	1-10 In	68475	7,348,440	68495	9,569,340
<b>Tmax XT4H - Icu (415V) = 70kA</b>						
TMA-200	200	2000	68343	5,333,240	68362	7,252,080
TMA-250	250	2500	68345	5,333,240	68364	7,252,080
Ekip LS/I In=250A	100-250	1-10 In	68515	8,086,100	68535	10,011,760

## Aksesori/lengkapan

XT1 - XT4



### Aksesori/lengkapan listrik

#### Pelepas *shunt opening* - SOR

Pelepas shunt opening dimungkinkan pemutus sirkit buka melalui komando sinyal listrik. Operasi pelepas ini diantara tegangan 70% dan 110% dari tegangan nominal Un.

		Fixed/Plug-in		Withdrawable	
		No. ref 1SDA0...R1	Harga IDR	No. ref 1SDA0...R1	Harga IDR
<b>XT1-XT2-XT3-XT4</b>	SOR-C 12V DC	66321	1,384,460	66328	1,384,460
Cabled Version	SOR-C 24-30V AC/DC	66322	1,384,460	66329	1,384,460
	SOR-C 48-60V AC/DC	66323	1,384,460	66330	1,384,460
	SOR-C 110...127V AC / 110...125V DC	66324	1,384,460	66331	1,384,460
	SOR-C 220...240V AC / 220...250V DC	66325	1,384,460	66332	1,384,460
	SOR-C 380-440V AC	66326	1,384,460	66333	1,384,460

#### Pelepas tegangan jatuh/undervoltage release - UVR

Pelepas tegangan jatuh, membuka pemutus sirkit bila terjadi tegangan jatuh dibawah  $0.7 \times U_n$  dengan range trip mulai 0.7 s/d  $0.35 \times U_n$ .

Pemutus sirkit hanya dapat dioperasikan (dapat di 'ON' kembali), bila pelepas tegangan jatuh ini mendapatkan suplai tegangan lebih tinggi dari  $0.85 \times U_n$ .

		Fixed/Plug-in		Withdrawable	
		No. ref 1SDA0...R1	Harga IDR	No. ref 1SDA0...R1	Harga IDR
<b>XT1-XT2-XT3-XT4</b>	UVR-C 24-30V AC/DC	66396	1,845,470	66403	1,845,470
Cabled Version	UVR-C 48-60V AC/DC	66397	1,845,470	66404	1,845,470
	UVR-C 110...127V AC / 110...125V DC	66398	1,845,470	66405	1,845,470
	UVR-C 220...240V AC / 220...250V DC	66399	1,845,470	66406	1,845,470
	UVR-C 380-440V AC	66400	1,845,470	66407	1,845,470

## Aksesori/lengkapan

### XT1 - XT4



#### Sinyal listrik Indikasi pemutus sirkit

Indikasi ini berupa kontak bantu yang mengindikasikan status dari pemutus sirkit.

Pemasangan dilakukan langsung pada bagian depan sisi kanan sesuai slot yang tersedia dari pemutus sirkit.

		No. ref 1SDA0...R1	Harga IDR
<b>XT1-XT2-XT3-XT4</b>	AUX 250V AC	66422	550,660
Uncabled Version	AUX 24V DC	66423	550,660
<b>XT2/XT4</b>	AUX-SA 250V AC	66424	550,660
Uncabled Version	AUX-SA 24V DC	66425	550,660

		No. ref 1SDA0...R1	Harga IDR
<b>XT1</b>	AUX-C 3Q 250V Left	66426	1,651,760
Cabled Version	AUX-C 1Q+1SY 250V	66431	1,101,210
	AUX-C 2Q+1SY 250V	66433	1,651,760
	AUX-C 1Q+1SY 24V DC	66446	1,101,210

		No. ref 1SDA0...R1	Harga IDR
<b>XT3</b>	AUX-C 3Q+1SY 24V DC	66448	2,202,310
Cabled Version	AUX-C 1Q+1SY 250V AC	66431	1,101,210
	AUX-C 2Q+1SY 250V AC	66433	1,651,760
	AUX-C 3Q+1SY 250V AC	66434	2,202,310

		Fixed/Plug-in		Withdrawable	
		No. ref 1SDA0...R1	Harga IDR	No. ref 1SDA0...R1	Harga IDR
<b>XT2/XT4</b>	AUX-C 1Q+1SY 24V DC	66446	1,101,210	66447	1,101,210
Cabled Version	AUX-C 3Q+1SY 24V DC	66448	2,202,310	66449	2,202,310
	AUX-C 1Q+1SY 250V AC	66431	1,101,210	66432	1,101,210
	AUX-C 2Q+1SY 250V AC	66433	1,651,760		
	AUX-C 3Q+1SY 250V AC	66434	2,202,310	66435	2,202,310

**Aksesori/lengkapan**  
XT1 - XT4

Untuk kontrol buka/tutup pemutus sirkit dari jarak jauh (remote)



		No. ref 1SDA0...R1	Harga IDR
<b>XT1/XT3</b>	MOD 24V DC	66457	8,458,890
with direct action	MOD 48...60V DC	66458	8,458,890
	MOD 110...125V AC/DC	66459	8,458,890
	MOD 220...250V AC/DC	66460	8,458,890
	MOD 380...440V AC	66461	8,458,890
<b>XT2/XT4</b>	MOE 24V DC	66463	9,312,820
Stored energy	MOE 48...60V DC	66464	9,312,820
motor operator MOE	MOE 110...125V AC/DC	66465	9,312,820
	MOE 220...250V AC/DC	66466	9,312,820
	MOE 380...440V AC	66467	9,312,820



**Mekanisme pengoperasian dengan handel putar**

Sebagai fasilitas pengoperasian dengan desain bentuk handle yang ergonomik untuk buka/tutup pemutus sirkit.



		No. ref 1SDA0...R1	Harga IDR
<b>XT1/XT3</b>	RHD Normal Direct Handle	66475	781,110
	RHE Normal Transmitted Handle	66479	1,218,800



		Fixed/Plug-in		Withdrawable	
		No. ref 1SDA0...R1	Harga IDR	No. ref 1SDA0...R1	Harga IDR
<b>XT2/XT4</b>	RHD Normal Direct Handle	69053	1,052,810	66476	1,679,810
	RHE Normal Transmitted Handle	69055	1,580,260	66480	1,679,810

## Pemutus Sirkuit Tenaga (MCCB) - Tmax XT5

(3P - 4P), 400 s/d 630A

Standard	<b>IEC 60947-2</b>
Kapasitas pemutusan (Icu) pada tegangan 380/415 VAC	Tipe : <b>N</b> <b>S</b> <b>H</b> <b>L</b> <b>V</b> <b>36 kA</b> <b>50 kA</b> <b>70 kA</b> <b>120 kA</b> <b>200 kA</b>
Proteksi/trip unit :	<ul style="list-style-type: none"> <li>• <b>EKIP DIP LS/I (electronic)</b> : setelan arus lebih (<b>I1</b>) dan magnetis (<b>I3</b>) dapat diubah. Proteksi dengan selektifitas untuk kontinuitas pelayanan sumber daya</li> <li>• <b>EKIP DIP LSI (electronic)</b> : dengan setelan waktu tunda dan selektifitas yang lebih diperkuat</li> </ul>
Ukuran LxDxT (mm)	I1 = 0.4...1xIn                      I2 = 1...10x In 3P = 140x103x205      4P = 186x103x205
Jenis koneksi	front terminal (F)
Tipe instalasi	jenis pasang tetap (fixed type)

Unit Trip	I1 [A]	I3 [A]	3P		4P	
			No. ref 1SDA0...R1	Harga IDR	No. ref 1SDA0...R1	Harga IDR
<b>Tmax XT5N - Icu = 36 kA</b>						
EKIP DIP -LS/I-400	160-400	1-10 In	100354	8,068,720	100396	9,749,850
EKIP DIP -LSI-400	160-400	1-10 In	100358	12,145,100	100400	14,180,540
EKIP DIP -LS/I-630	252-630	1-10 In	100355	12,405,030	100397	18,136,470
EKIP DIP -LSI-630	252-630	1-10 In	100359	16,447,530	100401	20,726,310
<b>Tmax XT5S - Icu = 50 kA</b>						
EKIP DIP -LS/I-400	160-400	1-10 In	100424	10,739,960	100466	13,729,320
EKIP DIP -LSI-400	160-400	1-10 In	100428	15,964,740	100470	19,096,660
EKIP DIP -LS/I-630	252-630	1-10 In	100425	14,115,530	100467	19,193,570
EKIP DIP -LSI-630	252-630	1-10 In	100429	19,933,320	100471	22,711,810
<b>Tmax XT5H - Icu = 70 kA</b>						
EKIP DIP -LS/I-400	160-400	1-10 In	100490	12,609,520	100528	15,977,060
EKIP DIP -LSI-400	160-400	1-10 In	100494	16,092,230	100532	20,983,710
EKIP DIP -LS/I-630	252-630	1-10 In	100491	16,381,970	100529	21,077,760
EKIP DIP -LSI-630	252-630	1-10 In	100495	21,830,490	100533	25,754,630



XT5 - 3P

## Pemutus Sirkit Tenaga (MCCB) - Tmax XT6 (3P - 4P), 800 s/d 1000A

Standard	<b>IEC 60947-2</b>
Kapasitas pemutusan (Icu) pada tegangan 380/415 VAC	Tipe : <b>N      S      H</b> <b>36 kA   50 kA   70 kA</b>
Proteksi/trip unit :	<ul style="list-style-type: none"> <li>• <b>EKIP DIP LS/I (electronic)</b> : setelan arus lebih (<b>I1</b>) dan magnetis (<b>I3</b>) dapat diubah. Proteksi dengan selektifitas untuk kontinuitas pelayanan sumber daya</li> <li>• <b>EKIP DIP LSI (electronic)</b> : dengan setelan waktu tunda dan selektifitas yang lebih diperkuat</li> </ul>
Ukuran LxDxT (mm)	I1 = 0.4...1xIn      I2 = 1...10x In      I3 = 1...10xIn 3P = 210x103.5x268    4P = 280x103.5x268
Jenis koneksi	front terminal (F)
Tipe instalasi	jenis pasang tetap (fixed type)



XT6 - 3P

Tipe	Unit Trip	I1 [A]	I3 [A]	3P		4P	
				No. ref 1SDA0...R1	Harga IDR	No. ref 1SDA0...R1	Harga IDR
<b>Icu (380/415 VAC) = 36 kA</b>							
XT6N 800	EKIP DIP -LS/I	320-800	1-10 In	100719	20,666,690	100732	31,148,590
XT6N 800	EKIP DIP -LSI	320-800	1-10 In	100721	27,256,790	100734	35,961,530
XT6N 1000	EKIP DIP -LS/I	400-1000	1-10 In	100720	24,411,310	100733	35,122,450
XT6N 1000	EKIP DIP -LSI	400-1000	1-10 In	100722	33,271,040	100735	38,077,490
<b>Icu (380/415 VAC) = 50 kA</b>							
XT6S 800	EKIP DIP -LS/I	320-800	1-10 In	100741	21,196,670	100754	31,947,300
XT6S 800	EKIP DIP -LSI	320-800	1-10 In	100743	23,549,900	100756	36,883,660
XT6S 1000	EKIP DIP -LS/I	400-1000	1-10 In	100742	25,037,210	100755	36,023,020
XT6S 1000	EKIP DIP -LSI	400-1000	1-10 In	100744	34,124,200	100757	39,053,850
<b>Icu (380/415 VAC) = 70 kA</b>							
XT6H 800	EKIP DIP -LS/I	320-800	1-10 In	100763	23,549,900	100776	34,663,970
XT6H 800	EKIP DIP -LSI	320-800	1-10 In	100765	29,360,210	100778	36,866,280
XT6H 1000	EKIP DIP -LS/I	400-1000	1-10 In	100764	27,541,470	100777	36,763,320
XT6H 1000	EKIP DIP -LSI	400-1000	1-10 In	100766	36,898,290	100779	46,116,180

## Pemutus Sirkuit Tenaga (MCCB) - Tmax XT7 Manual (3P - 4P), 1250 s/d 1600A

Standard	<b>IEC 60947-2</b>
Kapasitas pemutusan (Icu) pada tegangan 380/415 VAC	Tipe : <b>S H L V</b> <b>50 kA 70 kA 120kA 200kA</b>
Proteksi/trip unit :	<ul style="list-style-type: none"> <li>EKIP DIP LS/I (electronic) : setelan arus lebih (I1) dan magnetis (I3) dapat diubah. Proteksi dengan selektifitas untuk kontinuitas pelayanan sumber daya</li> <li>EKIP DIP LSI (electronic) : dengan setelan waktu tunda dan selektifitas yang lebih diperkuat I1 = 0.4...1xIn I2 = 1...10x In I3 =1...12xIn</li> </ul>
Ukuran LxDxT (mm) :	3P = 210x166x268 4P = 280x166x268
Jenis koneksi :	front terminal (F)
Tipe instalasi :	jenis pasang tetap (fixed type)



Tipe Tmax T7 manual <sup>(1)</sup>	Unit Trip			3P		4P	
		I1 [A]	I3 [A]	No. ref 1SDA0...R1	Harga IDR	No. ref 1SDA0...R1	Harga IDR
<b>Tmax T7 1250 S/H/L/V</b>							
T7S 1250	LS/I	500-1250	1-10 In	100828	32,509,840	101116	42,262,330
50 kA	LSI	500-1250	1.5-12 In	100832	39,013,700	101120	50,711,760
T7H 1250	LS/I	500-1250	1-10 In	100892	41,993,710	101172	48,762,120
70 kA	LSI	500-1250	1.5-12 In	100896	46,811,160	101176	58,514,500
T7L 1250	LS/I	500-1250	1-10 In	100956	57,816,660	101228	70,484,480
120 kA	LSI	500-1250	1.5-12 In	100960	64,972,160	101232	77,637,340
<b>Tmax T7 1600 S/H/L/V</b>							
T7S 1600	LS/I	640-1600	1-10 In	100829	44,068,970	101117	55,085,580
50 kA	LSI	640-1600	1.5-12 In	100833	52,881,950	101121	66,102,080
T7H 1600	LS/I	640-1600	1-10 In	100893	48,478,870	101173	60,595,150
70 kA	LSI	640-1600	1.5-12 In	100897	58,171,080	101177	72,714,180
T7L 1600	LS/I	640-1600	1-10 In	100957	66,398,200	101229	81,207,720
120 kA	LSI	640-1600	1.5-12 In	100961	73,551,720	101233	88,363,440

<sup>(1)</sup> Tmax T7 versi manual tidak bisa dipasang mekanisme motor (*spring charging motor*)



## Pemutus Sirkit Tenaga (MCCB) - Tmax XT7 motorized (3P - 4P), 1250 s/d 1600A

Standard **IEC 60947-2**  
 Kapasitas pemutusan (Icu) pada tegangan 380/415 VAC  
 Tipe: **S H L V**  
**50 kA 70 kA 100 kA 150 kA**

Proteksi/trip unit :  
 • EKIP DIP LS/I (electronic) : setelan arus lebih (I1) dan magneteis (I3) dapat diubah.  
 Proteksi dengan selektifitas untuk kontinuitas pelayanan sumber daya I3 = 1...10xIn  
 • EKIP DIP LSI (electronic) : dengan setelan waktu tunda dan selektifitas yang lebih diperkuat  
 I1 = 0.4...1xIn I2 = 0.6...10x In I3 = 1.5...12xIn

Ukuran LxDxT (mm) : 3P = 210x178x268 4P = 280x178x268  
 Jenis koneksi : front terminal (F)  
 Tipe instalasi : jenis pasang tetap (fixed type)



Tipe	Unit Trip	3P				4P	
		I1 [A]	I3 [A]	No. ref 1SDA0...R1	Harga IDR	No. ref 1SDA0...R1	Harga IDR
<b>Tmax T7M 1250 S/H/L/V</b>							
T7S 1250 M	LS/I	500-1250	1-10 In	101368	36,572,910	101656	46,703,470
<b>50 kA</b>	LSI	500-1250	1.5-12 In	101372	43,326,690	101660	52,382,880
T7H 1250 M	LS/I	500-1250	1-10 In	101432	46,424,180	101712	53,454,610
<b>70 kA</b>	LSI	500-1250	1.5-12 In	101436	48,524,850	101716	63,583,850
T7L 1250 M	LS/I	500-1250	1-10 In	101496	57,816,660	101768	70,484,480
<b>120 kA</b>	LSI	500-1250	1.5-12 In	101500	64,972,160	101772	77,637,340
<b>Tmax T7M 1600 S/H/L/V</b>							
T7S 1600 M	LS/I	640-1600	1-10 In	101369	49,948,690	101657	61,568,980
<b>50 kA</b>	LSI	640-1600	1.5-12 In	101373	59,244,570	101661	73,189,160
T7H 1600 M	LS/I	640-1600	1-10 In	101433	54,600,150	101713	67,380,500
<b>70 kA</b>	LSI	640-1600	1.5-12 In	101437	64,823,550	101717	80,163,490
T7L 1600 M	LS/I	640-1600	1-10 In	101497	76,942,910	101769	94,390,230
<b>120 kA</b>	LSI	640-1600	1.5-12 In	101501	84,096,650	101773	101,543,860

<sup>(1)</sup> Tmax T7M , belum terpasang mekanisme motor (*spring charging motor not included*)

Catatan :

T7M dengan mekanisme motor spring charging harus dilengkapi dengan aksesoris/alat bantu sbb :

- pelepas shunt opening (SOR)
- pelepas shunt closing (SCR)
- mekanisme motor (spring charging motor)

## Aksesori/lengkapan

Tmax XT5 - XT7

### Aksesori/lengkapan listrik

#### Pelepas *shunt opening* - SOR

Pelepas shunt opening dimungkinkan pemutus sirkit buka melalui komando sinyal listrik. Operasi pelepas ini diantara tegangan 70% dan 110% dari tegangan nominal Un.



Type MCCB	Deskripsi	Fixed/Plug-in		Withdrawable			
		No. ref 1SDA0...R1	Harga IDR	XT5		ST6	
		No. ref 1SDA0...R1	Harga IDR	No. ref 1SDA0...R1	Harga IDR	No. ref 1SDA0...R1	Harga IDR
XT5-XT6	SOR-C 12 VDC	104932	1,327,600	104928	1,327,600	104936	1,327,600
(versi kabel)	SOR-C 24..60 VAC/DC	104933	1,327,600	104929	1,327,600	104937	1,327,600
	SOR-C 110..240 VAC - 110..250 VDC	104934	1,327,600	104930	1,327,600	104938	1,327,600
	SOR-C 380..440 VAC	104935	1,327,600	104931	1,327,600	104939	1,327,600

#### SOR -YO

Type MCCB	Deskripsi	No. ref 1SDA0...R1	Harga IDR
XT7-XT7M	SOR 24 VAC/DC	73668	2,486,660
	SOR 48 VAC/DC	73670	2,486,660
	SOR 110..120 VAC/DC	73672	2,486,660
	SOR 220..240 VAC/DC	73674	2,337,280
	SOR 380..400 VAC	73677	2,486,660



#### Pelepas tegangan jatuh/undervoltage release - UVR

Pelepas tegangan jatuh, membuka pemutus sirkit bila terjadi tegangan jatuh dibawah  $0.7 \times U_n$  dengan range trip mulai  $0.7 \text{ s/d } 0.35 \times U_n$ . Pemutus sirkit hanya dapat dioperasikan (dapat di 'ON' kembali), bila pelepas tegangan jatuh ini mendapatkan suplai tegangan lebih tinggi dari  $0.85 \times U_n$ .



Type MCCB	Deskripsi	Fixed/Plug-in		Withdrawable			
		No. ref 1SDA0...R1	Harga IDR	XT5		ST6	
		No. ref 1SDA0...R1	Harga IDR	No. ref 1SDA0...R1	Harga IDR	No. ref 1SDA0...R1	Harga IDR
XT5-XT6	UVR-C 24..30 VAC/DC	104955	1,845,470	104948	1,845,470	104962	1,845,470
Versi dengan	UVR-C 48 VAC/DC	104956	1,845,470	104949	1,845,470	104963	1,845,470
kabel	UVR-C 110..127 VAC - 110..125 VDC	104957	1,845,470	104950	1,845,470	104964	1,845,470
	UVR-C 220..240 VAC - 220..250 VDC	104958	1,845,470	104951	1,845,470	104965	1,845,470
	UVR-C 380..440 VAC	104959	1,845,470	104952	1,845,470	104966	1,845,470
XT7-XT7M	UVR 24 VAC/DC			73694	3,168,990		
versi tanpa	UVR 48 VAC/DC			73696	3,168,990		
kabel	UVR 110..120 VAC/DC			73698	3,168,990		
	UVR 220..240 VAC/DC			73700	3,168,990		
	UVR 380..400 VAC			73703	3,168,990		

#### Solenoid *shunt closing* - SCR (untuk T7M motorizable)

Type MCCB	Deskripsi	No. ref 1SDA0...R1	Harga IDR
XT7M	SCR 24 VAC/DC	73681	2,486,660
versi tanpa kabel	SCR 48 VAC/DC	73683	2,486,660
	SCR 110..120 VAC/DC	73685	2,486,660
	SCR 220..240 VAC/DC	73687	2,337,280
	SCR 380..400 VAC	73690	2,486,660



## Aksesori/lengkapan

### Tmax XT5-XT7



Gawai tunda waktu-UVD

Gawai tunda waktu elektronik untuk pelepas tegangan jatuh - UVD

Pelepas tegangan jatuh dapat dikombinasikan dengan tunda waktu elektronik untuk dipasang di luar pemutus sirkit, sehingga tertundanya trip dari pelepas tersebut dengan waktu yang dapat diubah. Penggunaan pelepas tegangan jatuh dengan tunda waktu direkomendasikan untuk mencegah trip saat suplai daya untuk pelepas tersebut mendapatkan tegangan jatuh singkat (sesaat). Tunda waktu ini dirancang beroperasi bersamaan dengan pelepas tegangan jatuh dengan tegangan yang sama.

Tipe MCCB	Deskripsi	No. ref 1SDA0...R1	Harga IDR
<b>XT1-XT4..T5-T6</b>	UVD-C 24..30 VAC/DC	51357	
	UVD-C 48..60 VAC/DC	51358	
	UVD-C 110..125 VAC/DC	51360	
	UVD-C 220..250 VAC/DC	51361	
<b>XT7-XT7M</b>	UVD-C 24..30 VAC/DC	38316	
	UVD-C 48 VAC/DC	38317	
	UVD-C 110..125 VAC/DC	38319	
	UVD-C 220..250 VAC/DC	38320	

#### Sinyal listrik Indikasi pemutus sirkit

Indikasi ini berupa kontak bantu yang mengindikasikan status daripada pemutus sirkit pemasangan dilakukan langsung pada bagian depan sisi kanan sesuai slot yang tersedia dari pemutus sirkit



Tipe MCCB	Deskripsi	No. ref 1SDA0...R1	Harga IDR
<b>AUX-C (versi kabel) indikasi buka/tutup dan indikasi trip (SY)</b>			
T5-T6	Aux-C 1Q 1SY 250V AC/DC	66431	1,101,210
	Aux-C 2Q 1SY 250V AC/DC	66433	1,651,760
	Aux-C 1Q 1SY 24DC	66446	1,101,210
T7/T7M (tanpa kabel)	Aux 4Q- 400V	73750	2,322,980
	Aux S51 250V	73766	580,800
T7 manual (tanpa kabel)	Aux- 1SY 400V	104813	580,800

## Aksesori/lengkapan

Tmax XT5 - XT7



Spring charging - motor

### Mekanisme motor (motor operator)

Untuk kontrol buka/tutup pemutus sirkit dari jarak jauh (remote). Tersedia jenis motor stored energy untuk XT5 - XT6 dan motor spring charging untuk XT7M

Tipe MCCB	Deskripsi	No. ref 1SDA0...R1	Harga IDR
<b>Stored energy motor operator-MOE</b>			
XT5	MOE XT5, 24 V DC	104879	10,571,000
	MOE XT5, 110..125 V AC/DC	104883	10,571,000
	MOE XT5, 220..250 V AC/DC	104885	10,571,000
	MOE XT5, 380 V AC/DC	104887	10,571,000
XT6	MOE XT6, 24 V DC	104889	11,480,300
	MOE XT6, 110..125 V AC/DC	104893	11,480,300
	MOE XT6, 220..250 V AC/DC	104895	11,480,300
	MOE XT6, 380 V AC	104897	11,480,300

### Spring charging motor

XT7M	Spring charging, 24..30 V AC/DC	104919	9,548,660
	Spring charging, 110..130 V AC/DC	104921	9,548,660
	Spring charging, 220..250 V AC/DC	104922	9,548,660
	Spring charging, 380..415 V AC	104923	9,548,660

Catatan :

XT7M dengan spring charging motor, pemutus sirkit harus dilengkapi dengan :

- pelepas shunt opening
- pelepas shunt closing
- spring charging motor

## Aksesori/lengkapan

Tmax XT5 - XT7

### Mekanisme pengoperasian dengan handel putar

Sebagai fasilitas pengoperasian dengan desain bentuk handel yang ergonomik untuk buka/tutup pemutus sirkit. Dilengkapi dengan gawai pengunci pada posisi buka untuk mencegah pemutus sirkit di 'ON'



Handel putar (langsung)-RHD



(sambungan) -RHE



Tipe MCCB	Deskripsi	No. ref 1SDA0...R1	Harga IDR
<b>Handel putar (langsung)-RHD</b>			
T5	RHD-Normal untuk pemutus sirkit jenis tetap dan tusuk	104826	1,306,250
	RHD-Normal untuk pemutus sirkit jenis tarik	104828	1,306,250
T6	RHD-Normal untuk pemutus sirkit jenis tetap dan tusuk	104832	2,003,210
	RHD-Normal untuk pemutus sirkit jenis tarik	104834	2,003,210
T7 manual	RHD-Normal untuk pemutus sirkit jenis tetap dan tusuk	104838	2,003,210
	RHD-Normal untuk pemutus sirkit jenis tarik	104838	2,003,210
<b>Handel putar dengan sambungan-RHE</b>			
T5	RHE-Normal untuk pemutus sirkit jenis tetap dan tusuk	104843	1,929,730
	RHE-Normal untuk pemutus sirkit jenis tarik	104844	1,929,730
T6	RHE-Normal untuk pemutus sirkit jenis tetap dan tusuk	104853	4,447,300
	RHE-Normal untuk pemutus sirkit jenis tarik	104854	4,447,300
T7 manual	RHE-Normal untuk pemutus sirkit jenis tetap dan tusuk	104863	4,447,300
	RHE-Normal untuk pemutus sirkit jenis tarik	104863	4,447,300

### Mekanisme pengoperasian tuas dipasang didepan pemutus sirkit-FLD

Selalu dikunci dg gembok (maksimum 3 gembok, tidak disuplai) pada posisi buka untuk mencegah pemutus sirkit 'ON'

Tipe MCCB	Deskripsi	No. ref 1SDA0...R1	Harga IDR
T5	FLD - untuk pemutus sirkit jenis tetap dan jenis tusuk	104871	874,940
	FLD - untuk pemutus sirkit jenis tarik	104872	874,940
T6	FLD - untuk pemutus sirkit jenis tetap dan jenis tusuk	104873	874,940
	FLD - untuk pemutus sirkit jenis tarik	104874	874,940

## Aksesori/lengkapan MCCB

Tmax XT Modul Opsional untuk Ekip Touch / Hi-Touch

Paket Digital	XT2/4	Harga IDR	XT5/7/M	Harga IDR
Measurig Package	105208	2,812,810	105209	7,520,370
Class 1 Power & Energy Metering	107492	4,781,920	107493	6,375,710
Voltages Protection	105211	11,954,800	105212	15,939,550
Frequency Protection	105215	7,970,160	105216	9,962,150
Power Protection	105217	15,939,550	105218	23,909,600
ROCOF Protection	105219	15,939,550	105220	23,909,600
Adaptive Protection	105221	7,970,160	105222	7,970,160
Datalogger	-		105224	11,954,800
Network Analyzer	-		105226	19,924,190

\* Aksesoris tidak bisa digunakan untuk MCCB dengan proteksi TMD / TMA / Ekip Dip

Modul Komunikasi	Modul Internal				Modul Eksternal	
	XT2/4		XT2/4		XT2/4/5/7/7M	
	Fixed / Plugin	Harga IDR	Fixed / Plugin	Harga IDR	Fixed / Withdrawable	Harga IDR
Ekip Com Ethernet	105173	6,527,950	105185	10,192,380	74155	19,178,500
Ekip Com Hub	105160	-	105161	-	82894	18,441,280
Ekip Com IEC61850	105174	21,323,500	105186	33,294,690	74156	51,367,800
Ekip Com Modbus RTU	105175	5,439,720	105187	8,493,540	74150	13,105,950
Ekip Com Modbus TCP	105177	6,527,950	105189	10,192,380	74151	15,726,700
Ekip Link	105197	5,439,720	105198	8,493,540	74163	8,646,000
Ekip Com Actuator	-		-		74166	5,270,650
Ekip Com TCP * ETU- DIP LSI/LSIG	105183	6,364,270	105195	9,937,070	-	
Ekip Cartridge 2 slots	105203	1,593,790	105203	1,593,790		
Ekip Cartridge 4 slots	105204	2,390,960	105204	2,390,960		
Power Supply 110-240V AC/DC	74172	4,667,300	74172	4,667,300		
Power Supply 24-48V DC	74173	4,667,300	74173	4,667,300		

\* Aksesoris tidak bisa digunakan untuk MCCB dengan proteksi TMD / TMA / Ekip Dip



# Switches

## Indeks

### Switches

Switches.....	56
Switch-disconnectors - Base & DIN-rail mounting.....	57
Change-over switches - Manual change-over switches.....	58
Motorized change-over switches - Change-over switches, motor operation direct handle, I-O-II -operation .....	59
Automatic transfer switches, I-O-II operation.....	60

## Switches

**Switch Disconnector** yang berfungsi sebagai making, carrying, breaking, isolating, dengan penjelasan kombinasi dari 2 konsep, Switch dan Disconnector, dibuat sesuai dengan standard IEC 60947-3.

2

Dengan dimensi yang kompak dan teknologi yang optima, LBS ini dapat ditempatkan diberbagai posisi horisontal, vertikal tanpa mengurangi rating amperenya. Keunikan teknologi double spring didalamnya membuat kehandalan dan konstruksi design yang sangat inovatif.

**ABB switches menyiapkan peralatan listrik untuk kebutuhan berbagai aplikasi Change Over Switch,** salah satu fungsinya adalah sebagai pemutus tegangan dan back supply atau memindahkan 2 supply berbeda ke satu beban atau memindahkan 2 beban berbeda dengan 1 supply. Kebanyakan aplikasi ini digunakan untuk perpindahan dari 1 trafo ke trafo lainnya ataupun dari 1 trafo ke genset, dan sebaliknya.

Dengan peralatan berperforma tinggi, dimensi yang kompak, sesuai dengan ketentuan standard IEC 60947- 6-1, Change Over Switches dibuat dengan tingkat spesifikasi beban atau kategori utiliti sebagai berikut.

- AC-33 for motor loads or mixed loads including motor

Dengan menggunakan operasi handel langsung ke peralatan ataupun dengan menggunakan batang untuk koneksi posisi diluar, change over switches menjadi mudah dipasang di dalam panel. Sesuai dengan kebutu- han, COS ini mempunyai 3 tipe yang dapat digunakan:

- Manual Change Over switches : rating ampere 16A-2500A, 3 / 4 pole
- Motorized Change Over switches : rating ampere 40A - 2500A , 3 / 4 pole Automatic Transfer switch : rating ampere 160A-1600A, 3 / 4 pole

Untuk Motorized dan Automatic transfer switch, tegangan motor dapat disuplai dengan range : 220--240VAC,110-125VAC/DC, 48 VDC, 25 VDC.



## Switch-disconnectors

Base & DIN-rail mounting

### Direct Handle operated switch-disconnectors - LBS

Jumlah Kutub	In (A)	Rated Current AC22A/AC23A (400VAC) I[A]	Tipe	Order Code	Harga IDR
3	25	25 / 20	OT25F3	1SCA104857R1001	727,430
3	40	40 / 23	OT40F3	1SCA104902R1001	942,480
3	63	63 / 45	OT63F3	1SCA105332R1001	1,132,230
3	80	80 / 75	OT80F3	1SCA105798R1001	1,170,180
3	125	125 / 90	OT125F3	1SCA105033R1001	2,068,330
3	250	250/250	OT250E03K	1SCA022763R5040	2,542,650
3	400	400/400	OT400E03K	1SCA022763R5390	4,198,590
3	630	630/630	OT630E03K	1SCA022779R4940	5,291,550
3	800	800/800	OT800E03K	1SCA022779R5160	10,918,270
3	1000	1000/1000	OT1000E03K	1SCA108353R1001	17,264,170
3	1250	1250/1250	OT1250E03K	1SCA108356R1001	17,921,310
3	1600	1600/1250	OT1600E03K	1SCA108352R1001	20,197,650
3	2000	2000/-	OT2000E03K	1SCA108359R1001	37,194,850
3	2500	2500/-	OT2500E03K	1SCA108361R1001	44,156,750

Hubungi kami :

\*) Untuk permintaan 4 pole

### Aksesoris Kontak Bantu

Switches	Functionality	In	Aux- Kontak	Tipe	Order Code	Harga IDR
OT16...125F3	LBS 3/4 Poles	16A-125A	1NO	OA1G10	1SCA022353R4970	311,300
			1NC	OA1G01	1SCA022353R4890	311,300
OT16...125C4	COS 3/4 Poles	16A-125A	1NO	OA1G10	1SCA022353R4970	311,300
			1NC	OA1G01	1SCA022353R4890	311,300
OT160...2500E03K	LBS 3/4 Poles	160-2500A	1NO	OA1G10	1SCA022353R4970	311,300
			1NC	OA3G01	1SCA022456R7410	311,300
OT160...2500E04C	COS 3/4 Poles	160-2500A	1NO	OA1G10	1SCA022353R4970	311,300
			1NC	OA3G01	1SCA022456R7410	311,300
OTM40...125F_CM	Compact ATS	40-125A	1NO	OA1G10	1SCA022353R4970	311,300
			1NC	OA8G01	1SCA022744R2240	311,300
OXB200...1600	Truone - ATS	200-1600	1NO	OA1G10	1SCA022353R4970	311,300
			1NC	OA3G01	1SCA022456R7410	311,300

## Change-over switches

Manual change-over switches

### Manual change-over direct handle, I-O-II -operation (termasuk handle OHBS9)

Jumlah Kutub	In (A)	S (KVA)	Rated Power AC-23A (400VAC) I[A]/P[kW]	Tipe	Order Code	Harga IDR
4	40	27	23/11	OT40F4C	1SCA104934R1001	2,388,320
4	63	43.4	5/22	OT63F4C	1SCA105369R1001	2,828,540
4	80	55	75/37	OT80F4C	1SCA105418R1001	3,208,700
4	100	70	80/37	OT100F4C	1SCA105019R1001	5,764,000
4	125	86	90/45	OT125F4C	1SCA105054R1001	5,940,440
4	160	110	160/90	OT160E04C	1SCA022775R6770	7,838,600
4	200	135	200/110	OT200E04C	1SCA022771R7010	10,065,660
4	250	170	250/140	OT250E04C	1SCA022775R4560	10,843,030
4	400	275	400/220	OT400E04C	1SCA022771R1750	15,374,260
4	630	435	630/355	OT630E04C	1SCA022785R4350	17,373,510
4	800	550	800/450	OT800E04C	1SCA022785R4190	29,987,540
4	1250	850	1250/710	OT1250E04C	1SCA022872R0870	59,298,800
4	1600	1000	1250/710	OT1600E04C	1SCA022872R1920	67,298,000
4	2500	1700		OT2500E04C	1SCA103877R1001	119,275,640
4	3200	2000		OT3200E04C	1SCA129154R1001	163,848,850

## Motorized change-over switches

Change-over switches, motor operation direct handle, I-O-II -operation

### Motor Voltage Ue=220-240 VAC

Jumlah Kutub	In (A)	S (KVA)	Rated Power AC-23A (400VAC) I[A]/P[kW]	Type	Order Code	Harga IDR
4	40	27	40/40	OTM40F4CMA230V	1SCA120102R1001	14,555,750
4	63	43	63/63	OTM63F4CMA230V	1SCA120101R1001	15,318,600
4	80	55	80/80	OTM80F4CMA230V	1SCA120100R1001	16,433,010
4	100	70	100/80	OTM100F4CMA230V	1SCA120098R1001	17,407,720
4	125	86	125/80	OTM125F4CMA230V	1SCA120097R1001	21,919,920
4	160	110	160/160	OTM160E4CM230C	1SCA022848R1510	30,119,100
4	200	135	200/200	OTM200E4CM230C	1SCA022846R1590	34,826,110
4	250	170	250/250	OTM250E4CM230C	1SCA022846R1910	39,531,250
4	315	215	315/315	OTM315E4CM230C	1SCA022847R2870	46,746,810
4	400	275	400/400	OTM400E4CM230C	1SCA022847R3250	53,962,370
4	630	435	650/650	OTM630E4CM230C	1SCA022873R1990	67,974,830
4	800	550	720/650	OTM800E4CM230C	1SCA022872R8340	100,394,910
4	1000	680	1000/1000	OTM1000E4CM230C	1SCA112703R1001	110,454,190
4	1250	850	1250/1000	OTM1250E4CM230C	1SCA112702R1001	124,865,620
4	1600	1000	1600/1000	OTM1600E4CM230C	1SCA112704R1001	163,035,180
4	2000	1350		OTM2000E4CM230C	1SCA112712R1001	215,218,960
4	2500	1700		OTM2500E4CM230C	1SCA112713R1001	236,199,590
4	3200	2150		OTM3200E4CM230C	1SCA129242R1001	293,100,500

## Automatic transfer switches, I-O-II operation

### Automatic transfer switches, I-O-II operation

Automatic transfer switches, I-O-II operation

Termasuk handle untuk operasi manual, PCB konektor, kit baut, module relay. Compact ATS & Truone standard IEC-60947-6 Part1 - ATSE ( Proteksi Under/Over Voltage / Frequency; Phase Lost , Phase Rotation )

#### COMPACT - ATS

Switching Main with Genset / Main operation ( adjustable version )  
Motor operator voltage Ue= 154 - 480 VAC



NEW

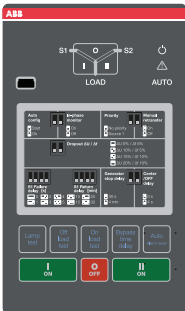
Jumlah Kutub	Rated Current I{A}	Voltage Sensing	Rated Current AC-31B/33B I{A}	Tipe	Order Code	Harga IDR
4	40	Bawah	40/40	OTM40F4CB21D400C	1SCA150580R1001	21,906,720
4	63	Bawah	63/63	OTM63F4CB21D400C	1SCA150586R1001	23,059,740
4	125	Bawah	128/80	OTM125F4CB21D400C	1SCA150574R1001	30,552,280

#### TRUONE-ATS

IEC-Switch - Open Style - Level 2 Dip switch controller - Delay Transition

Bottom entry - Source 1 and Source 2 connections on bottom, load connections on top

No Poles	In (A)	Tipe	Order Code	Harga IDR
4	200	OXB200E3S2QB	1SCA153427R1001	87,798,040
4	250	OXB250E3S2QB	1SCA153456R1001	99,447,370
4	315	OXB315E3S2QB	1SCA153501R1001	110,227,040
4	400	OXB400E3S2QB	1SCA153515R1001	120,825,210
4	630	OXB630E3S2QB	1SCA151054R1001	155,249,050
4	800	OXB800E3S2QB	1SCA150934R1001	197,841,600
4	1000	OXB1000E3S2QB	1SCA153577R1001	229,636,770
4	1250	OXB1250E3S2QB	1SCA153610R1001	263,858,760
4	1600	OXB1600E3S2QB	1SCA153622R1001	315,361,420



IEC-Switch - Open Style - Level 4 Touch Screen controller - Delay Transition

Bottom entry - Built-in Power Meter - Temperature Sensors - Contact Wear + Communication Modul (Optional)

No Poles	In (A)	Tipe	Order Code	Harga IDR
4	200	OXB200E3S4QB	1SCA153431R1001	134,009,040
4	250	OXB250E3S4QB	1SCA152794R1001	147,781,150
4	315	OXB315E3S4QB	1SCA153504R1001	163,846,650
4	400	OXB400E3S4QB	1SCA152048R1001	179,255,560
4	630	OXB630E3S4QB	1SCA151060R1001	239,608,160
4	800	OXB800E3S4QB	1SCA149959R1001	297,430,650
4	1000	OXB1000E3S4QB	1SCA151491R1001	342,537,360
4	1250	OXB1250E3S4QB	1SCA153614R1001	389,267,780
4	1600	OXB1600E3S4QB	1SCA152414R1001	469,109,520



# Pemutus Sirkuit Miniatur (MCB) dan Komponen modular rel DIN

## ABB Low Voltage Products

### Indeks

Komponen rel DIN dan sistem untuk proteksi, kontrol dan energi efisiensi .....	63
Pemutus Sirkuit miniatur (MCB) - Pendahuluan .....	64
Pemutus Sirkuit Miniatur (MCB) - MCB SH 200L - (1P - 4P), 1 s/d 63A, Icn : 4500A (IEC 60898) .....	65
Pemutus Sirkuit Miniatur (MCB) - MCB SH 200 - (1P - 4P), 1 s/d 63A, Icn : 6000A (IEC 60898) .....	66
Pemutus Sirkuit Miniatur (MCB) - MCB S200 - C - (1P - 4P), 1 s/d 63A, Icn : 6000A (IEC 60898), Icu: 10 kA (IEC 60947-2) .....	67
Pemutus Sirkuit Miniatur (MCB) - MCB S200 - D - (1P - 4P), 1 s/d 63A, Icn : 6000A (IEC 60898), Icu: 10 kA (IEC 60947-2) .....	70
Pemutus Sirkuit Miniatur (MCB) - MCB S200M - C - (1P - 4P), 1 s/d 63A, Icn : 10 kA (IEC 60898), Icu: 15 kA (IEC 60947-2) .....	71
Pemutus Sirkuit Miniatur (MCB) - MCB S 200 M-C - (4P), 1 s/d 63A, Icu : 15 kA (IEC 60947-2) .....	72
Pemutus Sirkuit Miniatur (MCB) - MCB S200M - D - (1P - 4P), 1 s/d 63A, Icn : 10 kA (IEC 60898), Icu: 15 kA (IEC 60947-2) .....	73
Pemutus Sirkuit Miniatur (MCB) - MCB S200P - C - (1P - 4P), 1 s/d 63A, Icn : 25 kA (IEC 60898), Icu: 25 kA (IEC 60947-2) .....	75
Pemutus Sirkuit Miniatur (MCB) - MCB S200M UC - C - (1P & 2P), 1 s/d 63A, Icn : 10 kA (IEC 60898), Icu: 10 kA (IEC 60947-2) .....	77
Pemutus Sirkuit Miniatur (MCB) - MCB S200MT UC - C - (1P - 4P), 1 s/d 63A, Icu: 10 kA (IEC 60947-2) .....	78
Pemutus Sirkuit Miniatur (MCB) - MCB S800B - C - (1P - 4P), 32 s/d 125A, Icu: 16 kA (IEC 60947-2) .....	79
Pemutus Sirkuit Miniatur (MCB) - MCB S800C - C - (1P - 4P), 10 s/d 125A, Icu: 25 kA (IEC 60947-2) .....	80
Pemutus Sirkuit Miniatur (MCB) - MCB S800N - C - (1P - 4P), 10 s/d 125A, Icu: 36 kA (IEC 60947-2) .....	81
Pemutus Sirkuit Miniatur (MCB) - MCB S800S - C - (1P - 4P), 10 s/d 125A, Icu: 50 kA (IEC 60947-2) .....	82
Pemutus Sirkuit Miniatur (MCB) - MCB S800PV - SP - (1P - 4P), 10 s/d 125A, Icu: 5 kA (IEC 60947-2) .....	83
Aksesoris MCB - Aksesoris - aksesoris MCB S200, S200M, S200P .....	84
Aksesoris MCB dan RCD - Aksesoris - aksesoris MCB S200 dan RCD .....	85
Aksesoris MCB S800 - Aksesoris - aksesoris MCB S800 .....	86

## Indeks

Gawai Proteksi Arus Sisa (RCD) - Pendahuluan .....	87
Gawai Proteksi Arus Sisa - RCCB FH200 AC.....	89
Gawai Proteksi Arus Sisa - RCCB F200 AC.....	90
Gawai Proteksi Arus Sisa (RCD) - RCBO - DS 201; RCBO Compact - DSN 201 .....	91
Gawai Proteksi Arus Sisa (RCD) - RCBO - DS 200 AC - C.....	92
Gawai Proteksi Arus Sisa (RCD) - Blok RCD DDA 200 AC .....	93
Gawai Proteksi Arus Sisa (RCD) - Gawai Proteksi Arus Sisa - Rele arus sisa dengan toroida terpisah.....	94
Gawai Proteksi Busur Listrik (AFDD) - Pendahuluan .....	95
Gawai Proteksi Busur Listrik (AFDD) - AFDD S-ARC1, kurva C.....	97
Gawai Proteksi Busur Listrik (AFDD) - AFDD DS-ARC1, kurva C.....	98
Komponen Modular Rel DIN - Pendahuluan.....	99
Komponen modular rel DIN - Komponen sinyal dan perintah .....	100
Komponen modular rel DIN - Komponen sinyal dan perintah - Modular soket.....	101
Komponen modular rel DIN - Komponen pengaman dan sistem proteksi .....	102
Komponen modular rel DIN - Komponen pengaman dan sistem proteksi - Fuse dan fuse holder .....	104
Komponen modular rel DIN - Komponen kontrol dan otomasi - Saklar kontrol .....	105
Gawai Proteksi Tegangan Surja (SPD) - Pendahuluan.....	106
Gawai Proteksi Tegangan Surja (SPD) - SPD OVR tipe 1 dan tipe 1+2.....	107
Gawai Proteksi Tegangan Surja (SPD) - SPD OVR tipe 2 dan tipe 2+3.....	108
Gawai Proteksi Tegangan Surja (SPD) - SPD OVR tipe 2 - jenis lain .....	109
Komponen dan sistem efisiensi energi - KWH meter tipe rel DIN / EQ meter .....	111
Komponen dan sistem efisiensi energi - Instrumen meter untuk panel.....	112
Komponen dan sistem efisiensi energi - Current transformer tipe solid core .....	113
Komponen dan sistem efisiensi energi - Current transformer tipe split core dan rogowski koil .....	114
Komponen dan sistem efisiensi energi - Sistem monitoring sirkit CMS.....	115
Komponen dan sistem efisiensi energi - Sistem monitoring EQ Analyzer.....	116
Komponen dan sistem efisiensi energi - Sistem pro M compact® InSite.....	117

## Komponen rel DIN dan sistem untuk proteksi, kontrol dan energi efisiensi

Pada konsep bangunan pintar atau smart building salah satu aspek pendukung yang tidak bisa luput adalah komponen tegangan rendah bagian sisi distribusi tingkat akhir untuk proteksi, kontrol maupun pengukuran energi efisiensi. Komponen tingkat akhir tersebut sering kali menjadi sisi antarmuka dengan para pengguna langsung.

Pada dasarnya komponen tegangan rendah tingkat akhir di ABB dapat dikelompokkan dalam beberapa kelompok yang pertama adalah 4 (empat) pilar komponen proteksi utama terdiri dari MCB, RCD, SPD dan AFDD. Kemudian yang kedua adalah komponen modular rel DIN terdiri komponen proteksi sekunder, sinyal dan kontrol. Selanjutnya adalah komponen dan sistem untuk energi efisiensi.

### Komponen proteksi rel DIN

Proteksi untuk pengguna dan aset – 4 pilar utama untuk keselamatan

#### Proteksi Jaringan

##### Miniature Circuit Breakers (MCBs)

- Protection against overloads and short circuits
- Miniature Circuit Breakers (MCBs), Selective Main Circuit Breakers (SMCBs), High Performance Circuit Breakers (HPCBs)



#### Proteksi Pengguna

##### Residual Current Devices (RCDs)

- Protection against earth fault currents
- RCCBs (Residual Current Circuit Breakers), RCBOs (RCCBs combined with MCB)



#### Proteksi Surja

##### Surge Protective Devices (SPDs)

- Protection against surges and the impact of direct and indirect lightning strikes
- SPD Class I, II & III (Type 1, Type 2, Type 1+2, ...)
- Data line protection



#### Proteksi Busur Listrik

##### Arc Fault Detection Devices (AFDDs)

- Protection against arc faults (parallel, series and earth arc faults)
- S-ARC1: AFDD with integrated MCB
- DS-ARC1: AFDD with integrated RCBO



### Komponen modular rel DIN

Komponen rel DIN lainnya

#### Perintah dan sinyal

- Manual and automatic, local and remote command of loads and lines
- Bells and buzzers
- Bell and safety transformers
- Control Switches, Pushbuttons & Indicator Lights
- Industrial Single-phase Transformers
- Latching and Installation Relays
- Switch Disconnectors
- Modular Sockets

#### Proteksi dan keselamatan

- Auxiliary protection of people and assets
- D0 Fuse Carriers and Fuse Switch Disconnectors
- Cylindrical Fuse Holders and Fuse Switch Disconnectors
- Cylindrical and D0 Fuses
- Hospital Equipments (H+ Line)
- Industrial Insulation Monitoring Devices
- Protection Devices for DC load circuits
- Protection Relays

#### Kontrol dan otomasi

- Load management and auxiliary lines monitoring
- Analogue and Digital Time Switches
- Twilight Switches
- Staircase Switches
- Dimmers
- Thermostats
- Electronic Timers
- Logic Relays
- Load management devices
- Bio-Switch
- Power Failure Signalling Lamp

### Komponen dan sistem energi efisiensi

Mengatur penggunaan listrik pengguna dan monitor konsumsi energi

- Circuit Monitoring Systems (CMS)
- Energy Meters
- Network Analyzers and Multimeters
- Current Transformers
- Single Function Instruments

# Pemutus sirkit miniatur (MCB)

## Pendahuluan

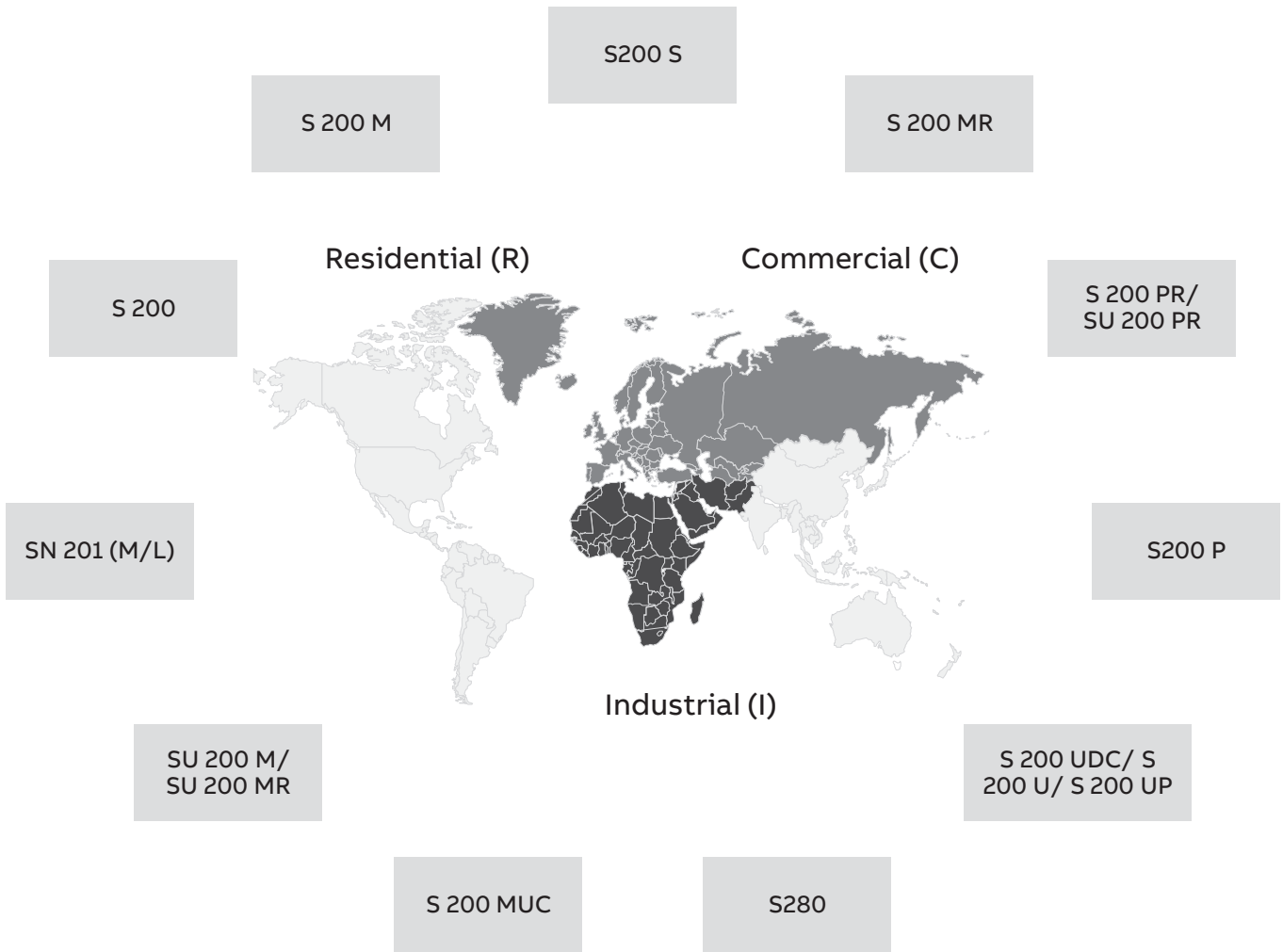
MCB (Miniature Circuit Breaker)

Lebih dari 120 tahun, MCB dari ABB telah terbukti dapat memberikan perlindungan dan keamanan untuk semua aplikasi. Berbagai macam paten membuktikan posisi ABB di pasar global sebagai penguasa dan pembaru "original" yang memastikan produk MCB dari ABB terjamin keasliannya, mudah instalasinya dan terjamin kualitasnya.

Beberapa keunggulan dari MCB ABB adalah:

1. Keamanan maksimum untuk aplikasi residensial, gedung komersial dan juga industri dikarenakan jaminan mutu dan kualitasnya
2. Sertifikasi produk yang terus diperbaharui
3. Instalasi yang mudah dan nyaman
4. Fleksibel dalam proses pembaharuan dan penambahan dengan banyaknya pilihan aksesoris

3





## Pemutus Sirkuit Miniatur (MCB) - MCB SH 200L

(1P - 4P), 1 s/d 63A, Icn : 4500A (IEC 60898)

Standar IEC 60898 dengan Icn 4500A  
 Fungsi Proteksi beban lebih dan arus hubung pendek  
 Aplikasi Rumah, gedung baik residensial atau komersial  
 Kurva C  $5 \times I_n < I_m$  (magnetis trip)  $< 10 \times I_n$  ;  $1.13 \times I_n < I$  (thermal trips)  $< 1.45 \times I_n$



Kutub	In [A]	Tipe	No. Ref	Harga IDR
<b>1</b>	2	SH 201 L-C2	2CDS241001R0024	84,150
U max :	4	SH 201 L-C4	2CDS241001R0044	84,150
253 V AC	6	SH 201 L-C6	2CDS241001R0064	70,400
	10	SH 201 L-C10	2CDS241001R0104	70,400
Ukuran kabel:	16	SH 201 L-C16	2CDS241001R0164	70,400
maks 35 mm <sup>2</sup>	20	SH 201 L-C20	2CDS241001R0204	70,400
	25	SH 201 L-C25	2CDS241001R0254	78,100
Ukuran busbar:	32	SH 201 L-C32	2CDS241001R0324	79,750
maks 10 mm <sup>2</sup>	40	SH 201 L-C40	2CDS241001R0404	94,600
	50	SH 201 L-C50	2CDS241001R0504	200,200
	63	SH 201 L-C63	2CDS241001R0634	200,200



<b>2</b>	2	SH 202 L-C2	2CDS242001R0024	237,050
U max :	4	SH 202 L-C4	2CDS242001R0044	237,050
440 V AC	6	SH 202 L-C6	2CDS242001R0064	193,050
	10	SH 202 L-C10	2CDS242001R0104	193,050
Ukuran kabel:	16	SH 202 L-C16	2CDS242001R0164	193,050
maks 35 mm <sup>2</sup>	20	SH 202 L-C20	2CDS242001R0204	193,050
	25	SH 202 L-C25	2CDS242001R0254	219,450
Ukuran busbar:	32	SH 202 L-C32	2CDS242001R0324	227,150
maks 10 mm <sup>2</sup>	40	SH 202 L-C40	2CDS242001R0404	269,500
	50	SH 202 L-C50	2CDS242001R0504	453,750
	63	SH 202 L-C63	2CDS242001R0634	453,750



<b>3</b>	2	SH 203 L-C2	2CDS243001R0024	372,350
U max :	4	SH 203 L-C4	2CDS243001R0044	372,350
440 V AC	6	SH 203 L-C6	2CDS243001R0064	313,500
	10	SH 203 L-C10	2CDS243001R0104	313,500
Ukuran kabel:	16	SH 203 L-C16	2CDS243001R0164	313,500
maks 35 mm <sup>2</sup>	20	SH 203 L-C20	2CDS243001R0204	313,500
	25	SH 203 L-C25	2CDS243001R0254	336,050
Ukuran busbar:	32	SH 203 L-C32	2CDS243001R0324	361,350
maks 10 mm <sup>2</sup>	40	SH 203 L-C40	2CDS243001R0404	427,350
	50	SH 203 L-C50	2CDS243001R0504	710,600
	63	SH 203 L-C63	2CDS243001R0634	710,600



<b>4</b>	6	SH 204 L-C6	2CDS244001R0064	523,270
U max :	10	SH 204 L-C10	2CDS244001R0104	523,270
440 V AC	16	SH 204 L-C16	2CDS244001R0164	523,270
Ukuran kabel:	20	SH 204 L-C20	2CDS244001R0204	523,270
maks 35 mm <sup>2</sup>	25	SH 204 L-C25	2CDS244001R0254	633,050
Ukuran busbar:	32	SH 204 L-C32	2CDS244001R0324	633,050
maks 10 mm <sup>2</sup>	40	SH 204 L-C40	2CDS244001R0404	633,050

## Pemutus Sirkuit Miniatur (MCB) - MCB SH 200

(1P - 4P), 1 s/d 63A, Icn : 6000A (IEC 60898)

Standar	IEC 60898 dengan Icn 6000A
Fungsi	Proteksi beban lebih dan arus hubung pendek
Aplikasi	Rumah, gedung baik residensial atau komersial
Kurva C	$5 \times I_n < I_m$ (magnetis trip) $< 10 \times I_n$ ; $1.13 \times I_n < I$ (thermal trips) $< 1.45 \times I_n$

Kutub	In (A)	Tipe	No. Ref	Harga IDR	
1	1	SH 201 -C1	2CDS211001R0014	116,600	
	2	SH 201 -C2	2CDS211001R0024	116,600	
	U max :	4	SH 201 -C4	2CDS211001R0044	116,600
	253 V AC	6	SH 201 -C6	2CDS211001R0064	89,100
		10	SH 201 -C10	2CDS211001R0104	89,100
	Ukuran kabel:	16	SH 201 -C16	2CDS211001R0164	89,100
	maks 35 mm <sup>2</sup>	20	SH 201 -C20	2CDS211001R0204	89,100
		25	SH 201 -C25	2CDS211001R0254	96,800
	Ukuran busbar:	32	SH 201 -C32	2CDS211001R0324	96,800
	maks 10 mm <sup>2</sup>	40	SH 201 -C40	2CDS211001R0404	115,500
		50	SH 201 -C50	2CDS211001R0504	203,500
	63	SH 201 -C63	2CDS211001R0634	203,500	
2	1	SH 202 -C1	2CDS212001R0014	284,900	
	2	SH 202 -C2	2CDS212001R0024	284,900	
	U max :	4	SH 202 -C4	2CDS212001R0044	284,900
	440 V AC	6	SH 202 -C6	2CDS212001R0064	203,500
		10	SH 202 -C10	2CDS212001R0104	203,500
	Ukuran kabel:	16	SH 202 -C16	2CDS212001R0164	203,500
	maks 35 mm <sup>2</sup>	20	SH 202 -C20	2CDS212001R0204	203,500
		25	SH 202 -C25	2CDS212001R0254	263,450
	Ukuran busbar:	32	SH 202 -C32	2CDS212001R0324	263,450
	maks 10 mm <sup>2</sup>	40	SH 202 -C40	2CDS212001R0404	313,500
		50	SH 202 -C50	2CDS212001R0504	484,550
	63	SH 202 -C63	2CDS212001R0634	484,550	
3	1	SH 203 -C1	2CDS213001R0014	387,750	
	2	SH 203 -C2	2CDS213001R0024	387,750	
	U max :	4	SH 203 -C4	2CDS213001R0044	387,750
	440 V AC	6	SH 203 -C6	2CDS213001R0064	336,050
		10	SH 203 -C10	2CDS213001R0104	336,050
	Ukuran kabel:	16	SH 203 -C16	2CDS213001R0164	336,050
	maks 35 mm <sup>2</sup>	20	SH 203 -C20	2CDS213001R0204	336,050
		25	SH 203 -C25	2CDS213001R0254	352,000
	Ukuran busbar:	32	SH 203 -C32	2CDS213001R0324	377,850
	maks 10 mm <sup>2</sup>	40	SH 203 -C40	2CDS213001R0404	478,500
		50	SH 203 -C50	2CDS213001R0504	781,550
	63	SH 203 -C63	2CDS213001R0634	781,550	
4	1	SH 204 -C1	2CDS214001R0014	654,500	
	2	SH 204 -C2	2CDS214001R0024	654,500	
	U max :	4	SH 204 -C4	2CDS214001R0044	654,500
	440 V AC	6	SH 204 -C6	2CDS214001R0064	454,300
		10	SH 204 -C10	2CDS214001R0104	454,300
	Ukuran kabel:	16	SH 204 -C16	2CDS214001R0164	454,300
	maks 35 mm <sup>2</sup>	20	SH 204 -C20	2CDS214001R0204	454,300
		25	SH 204 -C25	2CDS214001R0254	517,550
	Ukuran busbar:	32	SH 204 -C32	2CDS214001R0324	517,550
	maks 10 mm <sup>2</sup>	40	SH 204 -C40	2CDS214001R0404	643,500
		50	SH 204 -C50	2CDS214001R0504	874,500
	63	SH 204 -C63	2CDS214001R0634	914,100	



## Pemutus Sirkuit Miniatur (MCB) - MCB S200 - C

(1P - 4P), 1 s/d 63A, Icn : 6000A (IEC 60898), Icu: 10 kA (IEC 60947-2)

Standar	Dual Standar - IEC 60898 dengan Icn : 6000A, IEC 60947-2 dengan Icu 10 kA
Fungsi	Proteksi beban lebih dan arus hubung pendek
Aplikasi	Gedung komersial dan industri
Kurva C	$5 \times I_n < I_m$ (magnetis trip) $< 10 \times I_n$ ; $1.13 \times I_n < I$ (thermal trip) $< 1.45 \times I_n$



Jumlah kutub	Arus nominal $I_n$ [A]	Tipe	No. Ref	Harga IDR
<b>1</b>	1	S 201-C1	2CDS251001R0014	163,460
U max :	2	S 201-C2	2CDS251001R0024	163,460
253 V AC	3	S 201-C3	2CDS251001R0034	163,460
72 V DC	4	S 201-C4	2CDS251001R0044	163,460
	6	S 201-C6	2CDS251001R0064	149,380
Ukuran kabel:	10	S 201-C10	2CDS251001R0104	149,380
maks 35 mm <sup>2</sup>	16	S 201-C16	2CDS251001R0164	149,380
	20	S 201-C20	2CDS251001R0204	149,380
Ukuran busbar:	25	S 201-C25	2CDS251001R0254	156,860
maks 10 mm <sup>2</sup>	32	S 201-C32	2CDS251001R0324	178,310
	40	S 201-C40	2CDS251001R0404	186,010
	50	S 201-C50	2CDS251001R0504	251,130
	63	S 201-C63	2CDS251001R0634	295,350
<b>2</b>				
U max :	1	S 202-C1	2CDS252001R0014	450,450
440 V AC	2	S 202-C2	2CDS252001R0024	450,450
125 V DC	3	S 202-C3	2CDS252001R0034	450,450
(sambung seri)	4	S 202-C4	2CDS252001R0044	450,450
	6	S 202-C6	2CDS252001R0064	375,870
Ukuran kabel:	10	S 202-C10	2CDS252001R0104	375,870
maks 35 mm <sup>2</sup>	16	S 202-C16	2CDS252001R0164	375,870
	20	S 202-C20	2CDS252001R0204	375,870
Ukuran busbar:	25	S 202-C25	2CDS252001R0254	466,620
maks 10 mm <sup>2</sup>	32	S 202-C32	2CDS252001R0324	503,030
	40	S 202-C40	2CDS252001R0404	526,680
	50	S 202-C50	2CDS252001R0504	569,910
	63	S 202-C63	2CDS252001R0634	616,220
<b>3</b>				
U max :	1	S 203-C1	2CDS253001R0014	670,890
440 V AC	2	S 203-C2	2CDS253001R0024	670,890
	3	S 203-C3	2CDS253001R0034	670,890
	4	S 203-C4	2CDS253001R0044	670,890
Ukuran kabel:	6	S 203-C6	2CDS253001R0064	569,910
maks 35 mm <sup>2</sup>	10	S 203-C10	2CDS253001R0104	569,910
	16	S 203-C16	2CDS253001R0164	569,910
Ukuran busbar:	20	S 203-C20	2CDS253001R0204	569,910
maks 10 mm <sup>2</sup>	25	S 203-C25	2CDS253001R0254	612,040
	32	S 203-C32	2CDS253001R0324	652,520
	40	S 203-C40	2CDS253001R0404	666,490
	50	S 203-C50	2CDS253001R0504	932,580
	63	S 203-C63	2CDS253001R0634	1,133,000

## Pemutus Sirkuit Miniatur (MCB) - MCB S200 - C

(1P - 4P), 1 s/d 63A, Icn : 6000A (IEC 60898), Icu: 10 kA (IEC 60947-2)



Jumlah kutub	Arus nominal In [A]	Tipe	No. Ref	Harga IDR
4	1	S 204-C1	2CDS254001R0014	792,330
U max :	2	S 204-C2	2CDS254001R0024	792,330
440 V AC	3	S 204-C3	2CDS254001R0034	792,330
125 V DC	4	S 204-C4	2CDS254001R0044	792,330
(sambung seri)	6	S 204-C6	2CDS254001R0064	708,730
	10	S 204-C10	2CDS254001R0104	708,730
Ukuran kabel:	16	S 204-C16	2CDS254001R0164	708,730
maks 35 mm <sup>2</sup>	20	S 204-C20	2CDS254001R0204	708,730
	25	S 204-C25	2CDS254001R0254	776,600
Ukuran busbar:	32	S 204-C32	2CDS254001R0324	931,370
maks 10 mm <sup>2</sup>	40	S 204-C40	2CDS254001R0404	943,470
	50	S 204-C50	2CDS254001R0504	1,387,540
	63	S 204-C63	2CDS254001R0634	1,604,130

## Pemutus Sirkuit Miniatur (MCB) - MCB S200 - D

(1P - 4P), 1 s/d 63A, Icn : 6000A (IEC 60898), Icu: 10 kA (IEC 60947-2)

Standar	Dual Standar - IEC 60898 dengan Icn : 6000A, IEC 60947-2 dengan Icu 10 kA
Fungsi	Proteksi beban lebih dan arus hubung pendek
Aplikasi	Gedung komersial dan industri
Kurva D	$10 \times I_n < I_m$ (magnetis trip) $< 20 \times I_n$ ; $1.13 \times I_n < I$ (thermal trip) $< 1.45 \times I_n$



Jumlah kutub	Arus nominal $I_n$ [A]	Tipe	No. Ref	Harga IDR
<b>1</b>	1	S 201-D1	2CDS251001R0011	464,310
U max :	2	S 201-D2	2CDS251001R0021	454,190
253 V AC	4	S 201-D4	2CDS251001R0041	411,180
72 V DC	6	S 201-D6	2CDS251001R0061	381,480
	10	S 201-D10	2CDS251001R0101	381,480
Ukuran kabel:	16	S 201-D16	2CDS251001R0161	381,480
maks 35 mm <sup>2</sup>	20	S 201-D20	2CDS251001R0201	381,480
	25	S 201-D25	2CDS251001R0251	381,480
Ukuran busbar:	32	S 201-D32	2CDS251001R0321	387,090
maks 10 mm <sup>2</sup>	40	S 201-D40	2CDS251001R0401	394,680
	50	S 201-D50	2CDS251001R0501	402,270
	63	S 201-D63	2CDS251001R0631	421,300



<b>2</b>	1	S 202-D1	2CDS252001R0011	1,215,060
U max :	2	S 202-D2	2CDS252001R0021	1,215,060
440 V AC	4	S 202-D4	2CDS252001R0041	1,215,060
125 V DC	6	S 202-D6	2CDS252001R0061	966,460
(sambung seri)	10	S 202-D10	2CDS252001R0101	966,460
	16	S 202-D16	2CDS252001R0161	966,460
Ukuran kabel:	20	S 202-D20	2CDS252001R0201	966,460
maks 35 mm <sup>2</sup>	25	S 202-D25	2CDS252001R0251	966,460
	32	S 202-D32	2CDS252001R0321	1,139,160
Ukuran busbar:	40	S 202-D40	2CDS252001R0401	1,145,540
maks 10 mm <sup>2</sup>	50	S 202-D50	2CDS252001R0501	1,246,080
	63	S 202-D63	2CDS252001R0631	1,734,370



<b>3</b>	1	S 203-D1	2CDS253001R0011	1,495,230
U max :	2	S 203-D2	2CDS253001R0021	1,495,230
440 V AC	4	S 203-D4	2CDS253001R0041	1,495,230
	6	S 203-D6	2CDS253001R0061	1,619,860
	10	S 203-D10	2CDS253001R0101	1,619,860
Ukuran kabel:	16	S 203-D16	2CDS253001R0161	1,619,860
maks 35 mm <sup>2</sup>	20	S 203-D20	2CDS253001R0201	1,619,860
	25	S 203-D25	2CDS253001R0251	1,654,070
Ukuran busbar:	32	S 203-D32	2CDS253001R0321	1,881,770
maks 10 mm <sup>2</sup>	40	S 203-D40	2CDS253001R0401	1,931,050
	50	S 203-D50	2CDS253001R0501	2,171,400
	63	S 203-D63	2CDS253001R0631	2,562,340

## Pemutus Sirkuit Miniatur (MCB) - MCB S200 - D

(1P - 4P), 1 s/d 63A, Icn : 6000A (IEC 60898), Icu: 10 kA (IEC 60947-2)



Jumlah kutub	Arus nominal In [A]	Tipe	No. Ref	Harga IDR
4	1	S 204-D1	2CDS254001R0011	2,209,350
U max :	2	S 204-D2	2CDS254001R0021	2,209,350
440 V AC	4	S 204-D4	2CDS254001R0041	2,209,350
125 V DC	6	S 204-D6	2CDS254001R0061	2,129,050
(sambung seri)	10	S 204-D10	2CDS254001R0101	2,129,050
	16	S 204-D16	2CDS254001R0161	2,129,050
Ukuran kabel:	20	S 204-D20	2CDS254001R0201	2,129,050
maks 35 mm <sup>2</sup>	25	S 204-D25	2CDS254001R0251	2,378,200
	32	S 204-D32	2CDS254001R0321	2,378,200
Ukuran busbar:	40	S 204-D40	2CDS254001R0401	2,433,860
maks 10 mm <sup>2</sup>	50	S 204-D50	2CDS254001R0501	2,696,980
	63	S 204-D63	2CDS254001R0631	3,296,590

## Pemutus Sirkuit Miniatur (MCB) - MCB S200M - C

(1P - 4P), 1 s/d 63A, Icn : 10 kA (IEC 60898), Icu: 15 kA (IEC 60947-2)

Standar	Dual Standar - IEC 60898 dengan Icn : 10 kA, IEC 60947-2 dengan Icu 15 kA
Fungsi	Proteksi beban lebih dan arus hubung pendek
Aplikasi	Gedung komersial dan industri
Kurva C	$5 \times I_n < I_m$ (magnetis trip) $< 10 \times I_n$ ; $1.13 \times I_n < I$ (thermal trip) $< 1.45 \times I_n$



Jumlah kutub	Arus nominal $I_n$ [A]	Tipe	No. Ref	Harga IDR
<b>1</b>	1	S 201 M-C1	2CDS271001R0014	317,680
U max :	2	S 201 M-C2	2CDS271001R0024	317,680
253 V AC	3	S 201 M-C3	2CDS271001R0034	317,680
72 V DC	4	S 201 M-C4	2CDS271001R0044	317,680
	6	S 201 M-C6	2CDS271001R0064	251,130
Ukuran kabel:	10	S 201 M-C10	2CDS271001R0104	251,130
maks 35 mm <sup>2</sup>	16	S 201 M-C16	2CDS271001R0164	251,130
	20	S 201 M-C20	2CDS271001R0204	251,130
Ukuran busbar:	25	S 201 M-C25	2CDS271001R0254	310,970
maks 10 mm <sup>2</sup>	32	S 201 M-C32	2CDS271001R0324	324,390
	40	S 201 M-C40	2CDS271001R0404	339,680
	50	S 201 M-C50	2CDS271001R0504	428,670
	63	S 201 M-C63	2CDS271001R0634	457,270



<b>2</b>	1	S 202 M-C1	2CDS272001R0014	836,440
U max :	2	S 202 M-C2	2CDS272001R0024	836,440
440 V AC	3	S 202 M-C3	2CDS272001R0034	836,440
125 V DC	4	S 202 M-C4	2CDS272001R0044	836,440
(sambung seri)	6	S 202 M-C6	2CDS272001R0064	764,500
	10	S 202 M-C10	2CDS272001R0104	764,500
Ukuran kabel:	16	S 202 M-C16	2CDS272001R0164	764,500
maks 35 mm <sup>2</sup>	20	S 202 M-C20	2CDS272001R0204	764,500
	25	S 202 M-C25	2CDS272001R0254	773,080
Ukuran busbar:	32	S 202 M-C32	2CDS272001R0324	794,750
maks 10 mm <sup>2</sup>	40	S 202 M-C40	2CDS272001R0404	825,330
	50	S 202 M-C50	2CDS272001R0504	1,151,480
	63	S 202 M-C63	2CDS272001R0634	1,162,810



<b>3</b>	1	S 203 M-C1	2CDS273001R0014	1,075,800
U max :	2	S 203 M-C2	2CDS273001R0024	1,075,800
440 V AC	3	S 203 M-C3	2CDS273001R0034	1,075,800
	4	S 203 M-C4	2CDS273001R0044	1,075,800
	6	S 203 M-C6	2CDS273001R0064	974,930
Ukuran kabel:	10	S 203 M-C10	2CDS273001R0104	974,930
maks 35 mm <sup>2</sup>	16	S 203 M-C16	2CDS273001R0164	974,930
	20	S 203 M-C20	2CDS273001R0204	974,930
Ukuran busbar:	25	S 203 M-C25	2CDS273001R0254	1,003,530
maks 10 mm <sup>2</sup>	32	S 203 M-C32	2CDS273001R0324	1,075,800
	40	S 203 M-C40	2CDS273001R0404	1,118,150
	50	S 203 M-C50	2CDS273001R0504	1,290,960
	63	S 203 M-C63	2CDS273001R0634	1,330,670

## Pemutus Sirkuit Miniatur (MCB) - MCB S 200 M-C

(4P), 1 s/d 63A, Icu : 15 kA (IEC 60947-2)



Jumlah kutub	Arus nominal In [A]	Tipe	No. Ref	Harga IDR
4	1	S 204 M-C1	2CDS274001R0014	1,359,600
U max :	2	S 204 M-C2	2CDS274001R0024	1,359,600
440 V AC	3	S 204 M-C3	2CDS274001R0034	1,359,600
125 V DC	4	S 204 M-C4	2CDS274001R0044	1,359,600
(sambung seri)	6	S 204 M-C6	2CDS274001R0064	1,133,000
	10	S 204 M-C10	2CDS274001R0104	1,133,000
Ukuran kabel:	16	S 204 M-C16	2CDS274001R0164	1,133,000
maks 35 mm <sup>2</sup>	20	S 204 M-C20	2CDS274001R0204	1,133,000
	25	S 204 M-C25	2CDS274001R0254	1,186,020
Ukuran busbar:	32	S 204 M-C32	2CDS274001R0324	1,580,920
maks 10 mm <sup>2</sup>	40	S 204 M-C40	2CDS274001R0404	1,595,110
	50	S 204 M-C50	2CDS274001R0504	2,155,670
	63	S 204 M-C63	2CDS274001R0634	2,262,480



## Pemutus Sirkuit Miniatur (MCB) - MCB S200M - D

(1P - 4P), 1 s/d 63A, Icn : 10 kA (IEC 60898), Icu: 15 kA (IEC 60947-2)

Standar

Dual Standar - IEC 60898 dengan Icn : 10 kA, IEC 60947-2 dengan Icu 15 kA

Fungsi  
Aplikasi  
Kurva D

Proteksi beban lebih dan arus hubung pendek  
Gedung komersial dan industri  
 $10 \times I_n < I_m$  (magnetis trip)  $< 20 \times I_n$ ;  $1.13 \times I_n < I$  (thermal trip)  $< 1.45 \times I_n$



Jumlah kutub	Arus nominal $I_n$ [A]	Tipe	No. Ref	Harga IDR
<b>1</b>	1	S 201M-D1	2CDS271001R0011	514,800
U max :	2	S 201M-D2	2CDS271001R0021	514,800
253 V AC	4	S 201M-D4	2CDS271001R0041	514,800
72 V DC	6	S 201M-D6	2CDS271001R0061	385,000
	10	S 201M-D10	2CDS271001R0101	385,000
Ukuran kabel:	16	S 201M-D16	2CDS271001R0161	385,000
maks 35 mm <sup>2</sup>	20	S 201M-D20	2CDS271001R0201	385,000
	25	S 201M-D25	2CDS271001R0251	385,000
Ukuran busbar:	32	S 201M-D32	2CDS271001R0321	447,700
maks 10 mm <sup>2</sup>	40	S 201M-D40	2CDS271001R0401	506,000
	50	S 201M-D50	2CDS271001R0501	577,500
	63	S 201M-D63	2CDS271001R0631	638,000



<b>2</b>	1	S 202M-D1	2CDS272001R0011	1,226,500
U max :	2	S 202M-D2	2CDS272001R0021	1,226,500
440 V AC	4	S 202M-D4	2CDS272001R0041	1,226,500
125 V DC	6	S 202M-D6	2CDS272001R0061	935,000
(sambung seri)	10	S 202M-D10	2CDS272001R0101	935,000
	16	S 202M-D16	2CDS272001R0161	935,000
Ukuran kabel:	20	S 202M-D20	2CDS272001R0201	935,000
maks 35 mm <sup>2</sup>	25	S 202M-D25	2CDS272001R0251	935,000
	32	S 202M-D32	2CDS272001R0321	1,083,500
Ukuran busbar:	40	S 202M-D40	2CDS272001R0401	1,254,550
maks 10 mm <sup>2</sup>	50	S 202M-D50	2CDS272001R0501	1,309,000
	63	S 202M-D63	2CDS272001R0631	1,383,250



<b>3</b>	1	S 203M-D1	2CDS273001R0011	1,281,500
U max :	2	S 203M-D2	2CDS273001R0021	1,281,500
440 V AC	4	S 203M-D4	2CDS273001R0041	1,281,500
	6	S 203M-D6	2CDS273001R0061	1,228,150
	10	S 203M-D10	2CDS273001R0101	1,228,150
Ukuran kabel:	16	S 203M-D16	2CDS273001R0161	1,228,150
maks 35 mm <sup>2</sup>	20	S 203M-D20	2CDS273001R0201	1,228,150
	25	S 203M-D25	2CDS273001R0251	1,228,150
Ukuran busbar:	32	S 203M-D32	2CDS273001R0321	1,558,150
maks 10 mm <sup>2</sup>	40	S 203M-D40	2CDS273001R0401	1,652,750
	50	S 203M-D50	2CDS273001R0501	1,754,500
	63	S 203M-D63	2CDS273001R0631	1,812,250

## Pemutus Sirkuit Miniatur (MCB) - MCB S200M - D

(1P - 4P), 1 s/d 63A, Icn : 10 kA (IEC 60898), Icu: 15 kA (IEC 60947-2)



Jumlah kutub	Arus nominal In [A]	Tipe	No. Ref	Harga IDR
4	1	S 204M-D1	2CDS274001R0011	1,619,750
U max :	2	S 204M-D2	2CDS274001R0021	1,619,750
440 V AC	4	S 204M-D4	2CDS274001R0041	1,619,750
125 V DC	6	S 204M-D6	2CDS274001R0061	1,548,250
(sambung seri)	10	S 204M-D10	2CDS274001R0101	1,548,250
	16	S 204M-D16	2CDS274001R0161	1,516,350
Ukuran kabel:	20	S 204M-D20	2CDS274001R0201	1,516,350
maks 35 mm <sup>2</sup>	25	S 204M-D25	2CDS274001R0251	1,761,100
	32	S 204M-D32	2CDS274001R0321	2,006,400
Ukuran busbar:	40	S 204M-D40	2CDS274001R0401	2,000,900
maks 10 mm <sup>2</sup>	50	S 204M-D50	2CDS274001R0501	2,131,800
	63	S 204M-D63	2CDS274001R0631	2,285,800

## Pemutus Sirkuit Miniatur (MCB) - MCB S200P - C

(1P - 4P), 1 s/d 63A, Icn : 25 kA (IEC 60898), Icu: 25 kA (IEC 60947-2)

Standar	IEC 60898 - Icn : 25 kA untuk rating s/d 25A, 15 kA untuk rating diatas 25A IEC 60947-2 - Icu : 25 kA untuk rating s/d 25A, 15 kA untuk rating diatas 25A
Fungsi Aplikasi Kurva C	Proteksi beban lebih dan arus hubung pendek Gedung komersial dan industri $5 \times I_n < I_m$ (magnetis trip) $< 10 \times I_n$ ; $1.13 \times I_n < I$ (thermal trip) $< 1.45 \times I_n$



Jumlah kutub	Arus nominal $I_n$ [A]	Tipe	No. Ref	Harga IDR
<b>1</b>	1	S 201 P-C1	2CDS281001R0014	546,150
U max :	2	S 201 P-C2	2CDS281001R0024	546,150
253 V AC	4	S 201 P-C4	2CDS281001R0044	546,150
72 V DC	6	S 201 P-C6	2CDS281001R0064	546,150
	10	S 201 P-C10	2CDS281001R0104	546,150
Ukuran kabel:	16	S 201 P-C16	2CDS281001R0164	546,150
maks 35 mm <sup>2</sup>	20	S 201 P-C20	2CDS281001R0204	546,150
	25	S 201 P-C25	2CDS281001R0254	546,150
Ukuran busbar:	32	S 201 P-C32	2CDS281001R0324	546,150
maks 10 mm <sup>2</sup>	40	S 201 P-C40	2CDS281001R0404	546,150
	50	S 201 P-C50	2CDS281001R0504	585,200
	63	S 201 P-C63	2CDS281001R0634	654,500



<b>2</b>	1	S 202 P-C1	2CDS282001R0014	1,439,900
U max :	2	S 202 P-C2	2CDS282001R0024	1,439,900
440 V AC	4	S 202 P-C4	2CDS282001R0044	1,439,900
125 V DC	6	S 202 P-C6	2CDS282001R0064	1,439,900
(sambung seri)	10	S 202 P-C10	2CDS282001R0104	1,439,900
	16	S 202 P-C16	2CDS282001R0164	1,439,900
Ukuran kabel:	20	S 202 P-C20	2CDS282001R0204	1,439,900
maks 35 mm <sup>2</sup>	25	S 202 P-C25	2CDS282001R0254	1,439,900
	32	S 202 P-C32	2CDS282001R0324	1,439,900
Ukuran busbar:	40	S 202 P-C40	2CDS282001R0404	1,496,000
maks 10 mm <sup>2</sup>	50	S 202 P-C50	2CDS282001R0504	1,496,000
	63	S 202 P-C63	2CDS282001R0634	1,558,150



<b>3</b>	1	S 203 P-C1	2CDS283001R0014	1,860,650
U max :	2	S 203 P-C2	2CDS283001R0024	1,860,650
440 V AC	4	S 203 P-C4	2CDS283001R0044	1,860,650
	6	S 203 P-C6	2CDS283001R0064	1,860,650
	10	S 203 P-C10	2CDS283001R0104	1,860,650
Ukuran kabel:	16	S 203 P-C16	2CDS283001R0164	1,860,650
maks 35 mm <sup>2</sup>	20	S 203 P-C20	2CDS283001R0204	1,860,650
	25	S 203 P-C25	2CDS283001R0254	1,860,650
Ukuran busbar:	32	S 203 P-C32	2CDS283001R0324	1,860,650
maks 10 mm <sup>2</sup>	40	S 203 P-C40	2CDS283001R0404	1,860,650
	50	S 203 P-C50	2CDS283001R0504	1,898,050
	63	S 203 P-C63	2CDS283001R0634	2,012,450

## Pemutus Sirkuit Miniatur (MCB) - MCB S200P - C

(1P - 4P), 1 s/d 63A, Icn : 25 kA (IEC 60898), Icu: 25 kA (IEC 60947-2)



Jumlah kutub	Arus nominal In [A]	Tipe	No. Ref 2CDS_	Harga IDR
4	1	S 204 P-C1	2CDS284001R0014	2,777,500
U max :	2	S 204 P-C2	2CDS284001R0024	2,777,500
440 V AC	4	S 204 P-C4	2CDS284001R0044	2,777,500
125 V DC	6	S 204 P-C6	2CDS284001R0064	2,777,500
(sambung seri)	10	S 204 P-C10	2CDS284001R0104	2,777,500
	16	S 204 P-C16	2CDS284001R0164	2,777,500
Ukuran kabel:	20	S 204 P-C20	2CDS284001R0204	2,777,500
maks 35 mm <sup>2</sup>	25	S 204 P-C25	2CDS284001R0254	2,777,500
	32	S 204 P-C32	2CDS284001R0324	2,777,500
Ukuran busbar:	40	S 204 P-C40	2CDS284001R0404	2,854,500
maks 10 mm <sup>2</sup>	50	S 204 P-C50	2CDS284001R0504	2,997,500
	63	S 204 P-C63	2CDS284001R0634	3,135,000

## Pemutus Sirkuit Miniatur (MCB) - MCB S200M UC - C

(1P & 2P), 1 s/d 63A, Icn : 10 kA (IEC 60898), Icu: 10 kA (IEC 60947-2)

Standar	Dual Standar - IEC 60898 dengan Icn : 10 kA, IEC 60947-2 dengan Icu 10 kA Hazard level sesuai dengan EN 45545-2 : R26/HL3 Klasifikasi sesuai dengan NF F 16-101/102 : I3 / F2 (Exigence 2) Anti vibrasi sesuai dengan IEC 61373 : Category 1 - Class A/B - Body mounted GOST 9219-88 approval
Fungsi	Proteksi beban lebih dan arus hubung pendek, dapat digunakan pada arus searah (DC), tegangan kerja s/d 220 VDC untuk 1P dan 440 VDC untuk 2P
Aplikasi	Gedung komersial, kereta api, kendaraan bergerak dan area vibrasi
Kurva C	5 x In < Im (magnetis trip) < 10 x In ; 1.13 x In < I (thermal trip) < 1.45 x In



Jumlah kutub	Arus nominal In [A]	Tipe	No. Ref	Harga IDR
1	1	S 201 M -C1UC	2CDS271061R0014	757,130
Un:	2	S 201 M -C2UC	2CDS271061R0024	757,130
1P : 220 VDC	3	S 201 M -C3UC	2CDS271061R0034	757,130
1P : 254 VAC	4	S 201 M -C4UC	2CDS271061R0044	757,130
	6	S 201 M -C6UC	2CDS271061R0064	757,130
Ukuran kabel: maks 35 mm <sup>2</sup>	8	S 201 M -C8UC	2CDS271061R0084	757,130
	10	S 201 M -C10UC	2CDS271061R0104	668,580
	16	S 201 M -C16UC	2CDS271061R0164	668,580
Ukuran busbar: maks 10 mm <sup>2</sup>	20	S 201 M -C20UC	2CDS271061R0204	668,580
	25	S 201 M -C25UC	2CDS271061R0254	747,670
	32	S 201 M -C32UC	2CDS271061R0324	757,130
	40	S 201 M -C40UC	2CDS271061R0404	870,320
	50	S 201 M -C50UC	2CDS271061R0504	1,009,470
	63	S 201 M -C63UC	2CDS271061R0634	1,175,900
2	1	S 202 M -C1UC	2CDS272061R0014	1,711,600
Un:	2	S 202 M -C2UC	2CDS272061R0024	1,711,600
2P : 440 VDC	3	S 202 M -C3UC	2CDS272061R0034	1,711,600
2P : 440 VAC	4	S 202 M -C4UC	2CDS272061R0044	1,711,600
	6	S 202 M -C6UC	2CDS272061R0064	1,703,350
Ukuran kabel: maks 35 mm <sup>2</sup>	8	S 202 M -C8UC	2CDS272061R0084	3,070,210
	10	S 202 M -C10UC	2CDS272061R0104	1,703,350
	16	S 202 M -C16UC	2CDS272061R0164	1,703,350
Ukuran busbar: maks 10 mm <sup>2</sup>	20	S 202 M -C20UC	2CDS272061R0204	1,703,350
	25	S 202 M -C25UC	2CDS272061R0254	1,711,600
	32	S 202 M -C32UC	2CDS272061R0324	1,741,960
	40	S 202 M -C40UC	2CDS272061R0404	2,053,810
	50	S 202 M -C50UC	2CDS272061R0504	2,265,010
	63	S 202 M -C63UC	2CDS272061R0634	2,736,910

\* Untuk aplikasi DC: perhatikan polaritas pole MCB

\*\* Untuk 3 pole dan 4 pole silahkan hubungi kontak ABB terdekat

## Pemutus Sirkuit Miniatur (MCB) - MCB S200MT UC - C

(1P - 4P), 1 s/d 63A, Icu: 10 kA (IEC 60947-2)

Standar	IEC 60947-2 dengan Icu 10 kA Hazard level sesuai dengan EN 45545-2 : R26/HL3 Klasifikasi sesuai dengan NF F 16-101/102 : I3 / F2 (Exigence 2) Anti vibrasi sesuai dengan IEC 61373 : Category 1 - Class A/B - Body mounted GOST 9219-88 approval
Fungsi	Proteksi beban lebih dan arus hubung pendek, dapat digunakan pada arus searah (DC), tegangan kerja s/d 220 VDC untuk 1P dan 440 VDC untuk 2 - 4 P
Aplikasi	Gedung komersial, kereta api, kendaraan bergerak dan area vibrasi
Kurva C	$5 \times I_n < I_m$ (magnetis trip) $< 10 \times I_n$ ; $1.13 \times I_n < I$ (thermal trip) $< 1.45 \times I_n$

Jumlah kutub	Arus nominal $I_n$ [A]	Tipe	No. Ref	Harga IDR
1	1	S201MT-C1UC	2CDS271065R0014	577,500
Un:	2	S201MT-C2UC	2CDS271065R0024	577,500
1P : 220 VDC	3	S201MT-C3UC	2CDS271065R0034	577,500
1P : 254 VAC	4	S201MT-C4UC	2CDS271065R0044	577,500
	6	S201MT-C6UC	2CDS271065R0064	577,500
Ukuran kabel: maks 35 mm <sup>2</sup>	8	S201MT-C8UC	2CDS271065R0084	577,500
	10	S201MT-C10UC	2CDS271065R0104	577,500
	16	S201MT-C16UC	2CDS271065R0164	577,500
Ukuran busbar: maks 10 mm <sup>2</sup>	20	S201MT-C20UC	2CDS271065R0204	577,500
	25	S201MT-C25UC	2CDS271065R0254	577,500
	32	S201MT-C32UC	2CDS271065R0324	632,500
	40	S201MT-C40UC	2CDS271065R0404	632,500
	50	S201MT-C50UC	2CDS271065R0504	632,500
	63	S201MT-C63UC	2CDS271065R0634	632,500
2	1	S202MT-C1UC	2CDS272065R0014	1,611,500
Un:	2	S202MT-C2UC	2CDS272065R0024	1,611,500
2P : 440 VDC	3	S202MT-C3UC	2CDS272065R0034	1,611,500
2P : 440 VAC	4	S202MT-C4UC	2CDS272065R0044	1,611,500
	6	S202MT-C6UC	2CDS272065R0064	1,611,500
Ukuran kabel: maks 35 mm <sup>2</sup>	8	S202MT-C8UC	2CDS272065R0084	1,611,500
	10	S202MT-C10UC	2CDS272065R0104	1,611,500
	16	S202MT-C16UC	2CDS272065R0164	1,611,500
Ukuran busbar: maks 10 mm <sup>2</sup>	20	S202MT-C20UC	2CDS272065R0204	1,611,500
	25	S202MT-C25UC	2CDS272065R0254	1,611,500
	32	S202MT-C32UC	2CDS272065R0324	2,172,500
	40	S202MT-C40UC	2CDS272065R0404	2,172,500
	50	S202MT-C50UC	2CDS272065R0504	2,172,500
	63	S202MT-C63UC	2CDS272065R0634	2,172,500

\* Untuk aplikasi DC: perhatikan polaritas pole MCB

\*\* Untuk 3 pole dan 4 pole silahkan hubungi kontak ABB terdekat

3



**Pemutus Sirkuit Miniatur (MCB) - MCB S800B - C**  
 (1P - 4P), 32 s/d 125A, Icu: 16 kA (IEC 60947-2)

Standar  
 Fungsi  
 Aplikasi

IEC 60947-2 - Icu : 16 kA  
 Proteksi beban lebih dan arus hubung pendek  
 Gedung komersial, industri, telekomunikasi dan data center

Kurva C

$5 \times I_n < I_m$  (magnetis trip)  $< 10 \times I_n$  ;  $1.13 \times I_n < I$  (thermal trip)  $< 1.45 \times I_n$



Jumlah kutub	Arus nominal In [A]	Tipe	No. Ref	Harga IDR
1	32	S 801B-C32	2CCS811001R0324	652,850
U max :	40	S 801B-C40	2CCS811001R0404	652,850
253 V AC	50	S 801B-C50	2CCS811001R0504	652,850
	63	S 801B-C63	2CCS811001R0634	652,850
Terminasi:	80	S 801B-C80	2CCS811001R0804	652,850
s/d 60 mm <sup>2</sup>	100	S 801B-C100	2CCS811001R0824	774,400
	125	S 801B-C125	2CCS811001R0844	968,000
2	32	S 802B-C32	2CCS812001R0324	1,302,950
U max :	40	S 802B-C40	2CCS812001R0404	1,302,950
440 V AC	50	S 802B-C50	2CCS812001R0504	1,302,950
	63	S 802B-C63	2CCS812001R0634	1,302,950
Terminasi:	80	S 802B-C80	2CCS812001R0804	1,302,950
s/d 60 mm <sup>2</sup>	100	S 802B-C100	2CCS812001R0824	1,549,900
	125	S 802B-C125	2CCS812001R0844	1,843,600
3	32	S 803B-C32	2CCS813001R0324	1,858,450
U max :	40	S 803B-C40	2CCS813001R0404	1,858,450
440 V AC	50	S 803B-C50	2CCS813001R0504	1,858,450
	63	S 803B-C63	2CCS813001R0634	1,858,450
Terminasi:	80	S 803B-C80	2CCS813001R0804	1,858,450
s/d 60 mm <sup>2</sup>	100	S 803B-C100	2CCS813001R0824	2,153,800
	125	S 803B-C125	2CCS813001R0844	2,692,800
4	32	S 804B-C32	2CCS814001R0324	2,631,200
U max :	40	S 804B-C40	2CCS814001R0404	2,631,200
440 V AC	50	S 804B-C50	2CCS814001R0504	2,631,200
	63	S 804B-C63	2CCS814001R0634	2,631,200
Terminasi:	80	S 804B-C80	2CCS814001R0804	2,631,200
s/d 60 mm <sup>2</sup>	100	S 804B-C100	2CCS814001R0824	2,648,800
	125	S 804B-C125	2CCS814001R0844	2,758,800

## Pemutus Sirkuit Miniatur (MCB) - MCB S800C - C

(1P - 4P), 10 s/d 125A, Icu: 25 kA (IEC 60947-2)

Standar  
Fungsi  
Aplikasi

Kurva C

IEC 60947-2 dengan Icu 25 kA

Proteksi beban lebih dan arus hubung pendek  
Gedung komersial, industri, telekomunikasi dan data  
center

$5 \times I_n < I_m$  (magnetis trip)  $< 10 \times I_n$  ;  $1.13 \times I_n < I$  (thermal  
trip)  $< 1.45 \times I_n$

Jumlah kutub	Arus nominal $I_n$ [A]	Tipe	No. Ref	Harga IDR
1	10	S 801C-C10	2CCS881001R0104	861,300
U max :	16	S 801C-C16	2CCS881001R0164	861,300
254 V AC	20	S 801C-C20	2CCS881001R0204	861,300
125 V DC	25	S 801C-C25	2CCS881001R0254	861,300
	32	S 801C-C32	2CCS881001R0324	861,300
	40	S 801C-C40	2CCS881001R0404	861,300
Terminasi:	50	S 801C-C50	2CCS881001R0504	861,300
s/d 60 mm <sup>2</sup>	63	S 801C-C63	2CCS881001R0634	861,300
	80	S 801C-C80	2CCS881001R0804	861,300
	100	S 801C-C100	2CCS881001R0824	1,075,250
	125	S 801C-C125	2CCS881001R0844	1,342,550
2	10	S 802C-C10	2CCS882001R0104	1,718,200
U max :	16	S 802C-C16	2CCS882001R0164	1,718,200
254/440 V AC	20	S 802C-C20	2CCS882001R0204	1,718,200
250 V DC	25	S 802C-C25	2CCS882001R0254	1,718,200
(sambung seri)	32	S 802C-C32	2CCS882001R0324	1,718,200
	40	S 802C-C40	2CCS882001R0404	1,718,200
Terminasi:	50	S 802C-C50	2CCS882001R0504	1,718,200
s/d 60 mm <sup>2</sup>	63	S 802C-C63	2CCS882001R0634	1,718,200
	80	S 802C-C80	2CCS882001R0804	1,718,200
	100	S 802C-C100	2CCS882001R0824	2,148,850
	125	S 802C-C125	2CCS882001R0844	2,678,500
3	10	S 803C-C10	2CCS883001R0104	2,456,300
U max :	16	S 803C-C16	2CCS883001R0164	2,456,300
254/440 V AC	20	S 803C-C20	2CCS883001R0204	2,456,300
375 V DC	25	S 803C-C25	2CCS883001R0254	2,456,300
(sambung seri)	32	S 803C-C32	2CCS883001R0324	2,456,300
	40	S 803C-C40	2CCS883001R0404	2,456,300
Terminasi:	50	S 803C-C50	2CCS883001R0504	2,456,300
s/d 60 mm <sup>2</sup>	63	S 803C-C63	2CCS883001R0634	2,456,300
	80	S 803C-C80	2CCS883001R0804	2,456,300
	100	S 803C-C100	2CCS883001R0824	2,983,750
	125	S 803C-C125	2CCS883001R0844	3,785,100
4	10	S 804C-C10	2CCS884001R0104	2,760,450
U max :	16	S 804C-C16	2CCS884001R0164	2,760,450
254/440 V AC	20	S 804C-C20	2CCS884001R0204	2,760,450
500 V DC	25	S 804C-C25	2CCS884001R0254	2,760,450
(sambung seri)	32	S 804C-C32	2CCS884001R0324	2,760,450
	40	S 804C-C40	2CCS884001R0404	2,760,450
Terminasi:	50	S 804C-C50	2CCS884001R0504	2,760,450
s/d 60 mm <sup>2</sup>	63	S 804C-C63	2CCS884001R0634	2,760,450
	80	S 804C-C80	2CCS884001R0804	2,760,450
	100	S 804C-C100	2CCS884001R0824	3,673,450
	125	S 804C-C125	2CCS884001R0844	4,593,050

3





**Pemutus Sirkuit Miniatur (MCB) - MCB S800N - C**  
 (1P - 4P), 10 s/d 125A, Icu: 36 kA (IEC 60947-2)

Standar  
 Fungsi  
 Aplikasi  
 Kurva C

IEC 60947-2 dengan Icu 36 kA  
 Proteksi beban lebih dan arus hubung pendek  
 Gedung komersial, industri, telekomunikasi dan data center  
 $5 \times I_n < I_m$  (magnetis trip)  $< 10 \times I_n$  ;  $1.13 \times I_n < I$  (thermal trip)  $< 1.45 \times I_n$



Jumlah kutub	Arus nominal In [A]	Tipe	No. Ref	Harga IDR
1	10	S 801N-C10	2CCS891001R0104	829,290
U max :	16	S 801N-C16	2CCS891001R0164	829,290
254 V AC	20	S 801N-C20	2CCS891001R0204	829,290
125 V DC	25	S 801N-C25	2CCS891001R0254	829,290
	32	S 801N-C32	2CCS891001R0324	829,290
	40	S 801N-C40	2CCS891001R0404	926,640
Terminasi:	50	S 801N-C50	2CCS891001R0504	926,640
s/d 60 mm <sup>2</sup>	63	S 801N-C63	2CCS891001R0634	926,640
	80	S 801N-C80	2CCS891001R0804	1,122,110
	100	S 801N-C100	2CCS891001R0824	1,262,470
	125	S 801N-C125	2CCS891001R0844	1,507,880



2	10	S 802N-C10	2CCS892001R0104	1,912,680
U max :	16	S 802N-C16	2CCS892001R0164	1,912,680
254/440 V AC	20	S 802N-C20	2CCS892001R0204	1,912,680
250 V DC	25	S 802N-C25	2CCS892001R0254	1,912,680
(sambung seri)	32	S 802N-C32	2CCS892001R0324	1,925,330
	40	S 802N-C40	2CCS892001R0404	1,925,330
Terminasi:	50	S 802N-C50	2CCS892001R0504	1,925,330
s/d 60 mm <sup>2</sup>	63	S 802N-C63	2CCS892001R0634	1,925,330
	80	S 802N-C80	2CCS892001R0804	2,301,090
	100	S 802N-C100	2CCS892001R0824	2,444,640
	125	S 802N-C125	2CCS892001R0844	2,937,330



3	10	S 803N-C10	2CCS893001R0104	2,705,890
U max :	16	S 803N-C16	2CCS893001R0164	2,705,890
254/440 V AC	20	S 803N-C20	2CCS893001R0204	2,705,890
375 V DC	25	S 803N-C25	2CCS893001R0254	2,705,890
(sambung seri)	32	S 803N-C32	2CCS893001R0324	2,705,890
	40	S 803N-C40	2CCS893001R0404	2,708,420
Terminasi:	50	S 803N-C50	2CCS893001R0504	2,708,420
s/d 60 mm <sup>2</sup>	63	S 803N-C63	2CCS893001R0634	2,708,420
	80	S 803N-C80	2CCS893001R0804	3,253,580
	100	S 803N-C100	2CCS893001R0824	3,253,580
	125	S 803N-C125	2CCS893001R0844	4,022,150



4	10	S 804N-C10	2CCS894001R0104	3,399,770
U max :	16	S 804N-C16	2CCS894001R0164	3,399,770
254/440 V AC	20	S 804N-C20	2CCS894001R0204	3,399,770
500 V DC	25	S 804N-C25	2CCS894001R0254	3,399,770
(sambung seri)	32	S 804N-C32	2CCS894001R0324	3,399,770
	40	S 804N-C40	2CCS894001R0404	3,799,510
Terminasi:	50	S 804N-C50	2CCS894001R0504	3,799,510
s/d 60 mm <sup>2</sup>	63	S 804N-C63	2CCS894001R0634	3,799,510
	80	S 804N-C80	2CCS894001R0804	4,600,200
	100	S 804N-C100	2CCS894001R0824	4,600,200
	125	S 804N-C125	2CCS894001R0844	4,945,600

## Pemutus Sirkuit Miniatur (MCB) - MCB S800S - C

(1P - 4P), 10 s/d 125A, Icu: 50 kA (IEC 60947-2)

Standar  
Fungsi  
Aplikasi

Kurva C

IEC 60947-2 dengan Icu 50 kA

Proteksi beban lebih dan arus hubung pendek  
Gedung komersial, industri, telekomunikasi dan data center

$5 \times I_n < I_m$  (magnetis trip)  $< 10 \times I_n$  ;  $1.13 \times I_n < I$  (thermal trip)  $< 1.45 \times I_n$

Jumlah kutub	Arus nominal $I_n$ [A]	Tipe	No. Ref	Harga IDR	
1	10	S 801S-C10	2CCS861001R0104	1,330,230	
	U max :	16	S 801S-C16	2CCS861001R0164	1,330,230
	254 V AC	20	S 801S-C20	2CCS861001R0204	1,330,230
	125 V DC	25	S 801S-C25	2CCS861001R0254	1,330,230
		32	S 801S-C32	2CCS861001R0324	1,330,230
		40	S 801S-C40	2CCS861001R0404	1,389,630
	Terminasi:	50	S 801S-C50	2CCS861001R0504	1,389,630
	s/d 60 mm <sup>2</sup>	63	S 801S-C63	2CCS861001R0634	1,389,630
		80	S 801S-C80	2CCS861001R0804	1,542,750
		100	S 801S-C100	2CCS861001R0824	1,572,450
		125	S 801S-C125	2CCS861001R0844	1,609,740
2	10	S 802S-C10	2CCS862001R0104	2,502,830	
	U max :	16	S 802S-C16	2CCS862001R0164	2,502,830
	254/440 V AC	20	S 802S-C20	2CCS862001R0204	2,531,980
	250 V DC	25	S 802S-C25	2CCS862001R0254	2,531,980
	(sambung seri)	32	S 802S-C32	2CCS862001R0324	2,531,980
		40	S 802S-C40	2CCS862001R0404	2,801,370
	Terminasi:	50	S 802S-C50	2CCS862001R0504	2,801,370
	s/d 60 mm <sup>2</sup>	63	S 802S-C63	2CCS862001R0634	2,902,570
		80	S 802S-C80	2CCS862001R0804	3,729,220
		100	S 802S-C100	2CCS862001R0824	3,866,500
		125	S 802S-C125	2CCS862001R0844	4,008,180
3	10	S 803S-C10	2CCS863001R0104	3,304,840	
	U max :	16	S 803S-C16	2CCS863001R0164	3,304,840
	254/440 V AC	20	S 803S-C20	2CCS863001R0204	3,304,840
	375 V DC	25	S 803S-C25	2CCS863001R0254	3,304,840
	(sambung seri)	32	S 803S-C32	2CCS863001R0324	3,080,330
		40	S 803S-C40	2CCS863001R0404	3,403,510
	Terminasi:	50	S 803S-C50	2CCS863001R0504	3,403,510
	s/d 60 mm <sup>2</sup>	63	S 803S-C63	2CCS863001R0634	3,417,480
		80	S 803S-C80	2CCS863001R0804	4,222,570
		100	S 803S-C100	2CCS863001R0824	4,282,740
		125	S 803S-C125	2CCS863001R0844	4,441,470
4	10	S 804S-C10	2CCS864001R0104	5,044,820	
	U max :	16	S 804S-C16	2CCS864001R0164	5,044,820
	254/440 V AC	20	S 804S-C20	2CCS864001R0204	5,044,820
	500 V DC	25	S 804S-C25	2CCS864001R0254	5,044,820
	(sambung seri)	32	S 804S-C32	2CCS864001R0324	5,044,820
		40	S 804S-C40	2CCS864001R0404	5,048,010
	Terminasi:	50	S 804S-C50	2CCS864001R0504	5,048,010
	s/d 60 mm <sup>2</sup>	63	S 804S-C63	2CCS864001R0634	5,345,340
		80	S 804S-C80	2CCS864001R0804	6,132,170
		100	S 804S-C100	2CCS864001R0824	7,281,340
		125	S 804S-C125	2CCS864001R0844	7,827,820

3



## Pemutus Sirkuit Miniatur (MCB) - MCB S800PV - SP

(1P - 4P), 10 s/d 125A, Icu: 5 kA (IEC 60947-2)

Standar  
Fungsi  
Aplikasi  
Tegangan operasional

IEC 60947-2 dengan Icu 5 kA  
Proteksi beban lebih dan arus hubung pendek  
Sistem panel surya  
2P - 800 VDC; 3P - 1200 VDC; 4P - 1500 VDC



Jumlah kutub	Arus nominal In [A]	Type	No. Ref	Harga IDR	
2	5	S802PV-SP5	2CCF019596R0001	3,122,680	
	6	S802PV-SP6	2CCF019643R0001	3,122,680	
	8	S802PV-SP8	2CCF019644R0001	3,122,680	
	10	S802PV-SP10	2CCF019597R0001	3,122,680	
	16	S802PV-SP16	2CCF019599R0001	3,122,680	
	20	S802PV-SP20	2CCF019600R0001	3,122,680	
	Terminasi: s/d 60 mm <sup>2</sup>	25	S802PV-SP25	2CCF019601R0001	3,122,680
	32	S802PV-SP32	2CCF019602R0001	3,122,680	
	40	S802PV-SP40	2CCF019603R0001	3,487,000	
	50	S802PV-SP50	2CCF019604R0001	3,487,000	
63	S802PV-SP63	2CCF019605R0001	3,487,000		
80	S802PV-SP80	2CCF019606R0001	4,501,530		
100	S802PV-SP100	2CCF019607R0001	4,501,530		
125	S802PV-SP125	2CCF019608R0001	4,631,880		



3	5	S803PV-SP5	2CCF019609R0001	4,397,800	
	6	S803PV-SP6	2CCF019645R0001	4,397,800	
	8	S803PV-SP8	2CCF019646R0001	4,397,800	
	10	S803PV-SP10	2CCF019610R0001	4,397,800	
	16	S803PV-SP16	2CCF019612R0001	4,397,800	
	Terminasi: s/d 60 mm <sup>2</sup>	20	S803PV-SP20	2CCF019613R0001	4,397,800
	25	S803PV-SP25	2CCF019614R0001	4,397,800	
	32	S803PV-SP32	2CCF019615R0001	4,397,800	
	40	S803PV-SP40	2CCF019616R0001	4,918,320	
	50	S803PV-SP50	2CCF019617R0001	4,918,320	
63	S803PV-SP63	2CCF019618R0001	4,918,320		
80	S803PV-SP80	2CCF019619R0001	6,349,750		
100	S803PV-SP100	2CCF019620R0001	6,349,750		
125	S803PV-SP125	2CCF019621R0001	6,557,210		

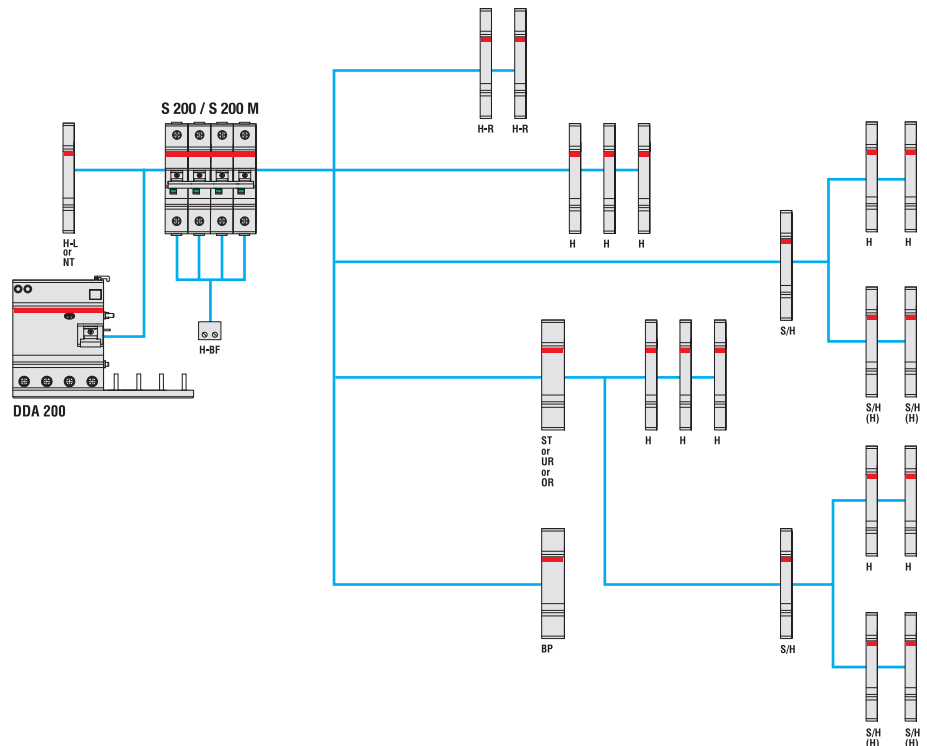


4	5	S804PV-SP5	2CCF019586R0001	6,219,400	
	6	S804PV-SP6	2CCF019647R0001	6,219,400	
	8	S804PV-SP8	2CCF019648R0001	6,219,400	
	10	S804PV-SP10	2CCF019622R0001	6,219,400	
	16	S804PV-SP16	2CCF019624R0001	6,219,400	
	Terminasi: s/d 60 mm <sup>2</sup>	20	S804PV-SP20	2CCF019625R0001	6,219,400
	25	S804PV-SP25	2CCF019626R0001	6,219,400	
	32	S804PV-SP32	2CCF019627R0001	6,219,400	
	40	S804PV-SP40	2CCF019628R0001	6,947,380	
	50	S804PV-SP50	2CCF019629R0001	6,947,380	
63	S804PV-SP63	2CCF019630R0001	6,947,380		
80	S804PV-SP80	2CCF019631R0001	8,976,440		
100	S804PV-SP100	2CCF019632R0001	8,976,440		
125	S804PV-SP125	2CCF019633R0001	9,262,990		

## Aksesoris MCB

Aksesoris - aksesoris MCB S200, S200M, S200P

3



2CDC092002F0212

Deskripsi	Tipe	No. Ref	Harga IDR
<b>Kontak bantu (H) kanan</b>			
Kontak bantu 1 CO	S2C-H6R	2CDS200912R0001	288,200
Kontak bantu/sinyal	S2C-S/H6R	2CDS200922R0001	436,700
Kontak bantu 1NO/1NC	S2C-H6-11R	2CDS200946R0001	504,900
Kontak bantu 2NO	S2C-H6-20R	2CDS200946R0002	514,800
Kontak bantu 2NC	S2C-H6-02R	2CDS200946R0003	537,900
<b>Kontak bantu (H) kiri</b>			
Kontak bantu 1NO/1NC	S2C-H11L	2CDS200936R0001	530,200
Kontak bantu 2NO	S2C-H20L	2CDS200936R0002	530,200
Kontak bantu 2NC	S2C-H02L	2CDS200936R0003	530,200
<b>Kontak bantu (H) bawah</b>			
Kontak bantu 1NO	S 2C-H10	2CDS200970R0002	288,200
<b>Shunt trip</b>			
AC/DC 12...60 V	S 2C-A1	2CDS200909R0001	917,400
AC 110...415 V/DC110...250 V	S 2C-A2	2CDS200909R0002	917,400
<b>Pelepas tegangan jatuh (UR)</b>			
12 V DC	S2C-UA 12 DC	2CSS200911R0001	1,879,900
24 V AC	S2C-UA 24 AC	2CSS200911R0002	1,879,900
24 V DC	S2C-UA 24 DC	2CSS200911R0007	1,879,900
110 V AC	S2C-UA 110 AC	2CSS200911R0004	1,879,900
110 V DC	S2C-UA 110 DC	2CSS200911R0009	1,879,900
230 V AC	S2C-UA 230 AC	2CSS200911R0005	1,879,900
230 V AC	S2C-UA 230 DC	2CSS200911R0010	1,879,900
<b>Pelepas tegangan lebih (OR)</b>			
maks. Tegangan trip 275V AC	S2C-OVP1	2CSS200910R0005	2,439,800
maks. Tegangan trip 290V AC	S2C-OVP2	2CSS200993R0005	2,439,800
<b>Hand operated neutral</b>			
Max 40A	S2C-Nt	2CDS200918R0001	1,058,200
<b>Rotary operating mechanism</b>			
Untuk MCB 2,3, 4 P	2SC-DH	GHS2001901R0003	1,142,900



## Aksesoris MCB dan RCD

Aksesoris - aksesoris MCB S200 dan RCD



### Mechanical tripping devices:

Aksesoris untuk MCB S200 (dua sisi) dan RCD DS200 (hanya disisi kanan) yang berfungsi untuk tirp unit secara otomatis jika pintu panel terbuka

### Plug in base:

Aksesoris yang berfungsi merubah MCB S200 dan RCD F200 standar dinrail menjadi jenis plug in

Deskripsi	Tipe	No. Ref	Harga IDR
Mechanical tripping device	S2C-BP	2CSS200998R0001	512,600
Plug-in base	S2C-EST	2CSS200999R0001	511,500

### Motor operating device:

Aksesoris untuk kontrol jarak jauh untuk MCB S200, RCD F200, DS201 dan DS202C

### Unit auto-reclosing:

Dipasang di RCD F200, sehingga memungkinkan unit aktif kembali secara otomatis ketika unit mengalami trip dengan sebab bukan arus sisa/bocor

Deskripsi	Tipe	No. Ref	Harga IDR
<b>Motor operating device</b>			
Untuk MCB S200 1P	S2C-CM1	2CSS201997R0013	5,461,500
Untuk MCB S200 2P dan 3P	S2C-CM2/3	2CSS203997R0013	5,461,500
Untuk MCB S200 4P	S2C-CM4	2CSS204997R0013	5,626,500
Untuk RCCB F200 2P dan 4P	F2C-CM	2CSF200997R0013	5,251,400
<b>Unit auto-reclosing</b>			
Untuk RCCB F200 2P dan 4P	F2C-ARI	2CSF200996R0013	7,311,700
Untuk RCCB F200 2P & 4P (30")	F2C-ARI30	2CSF200995R0013	7,311,700



### Busbar sisir



Deskripsi	Tipe	No. Ref	Harga IDR
Busbar sisir 12 pin 1P	PS1/12A	2CDL210010R1012	99,000
Busbar sisir 12 pin 2P	PS2/12A	2CDL220010R1012	203,500
Busbar sisir 12 pin 3P	PS3/12A	2CDL230010R1012	225,500
Busbar sisir 60 pin 1P	PS1/60	2CDL210001R1060	459,250
Busbar sisir 58 pin 2P	PS2/58	2CDL220001R1058	709,500
Busbar sisir 60 pin 3P	PS3/60	2CDL230001R1060	1,028,500

## Aksesoris MCB S800

Aksesoris - aksesoris MCB S800

3



Deskripsi	Tipe	No. Ref	Harga IDR
<b>Kontak bantu</b>			
Kontak bantu	S 800-AUX	2CCS800900R0011	625,900
Kontak bantu / kontak sinyal trip			
Kontak bantu / kontak sinyal	S 800-AUX/ALT	2CCS800900R0021	764,500
<b>Shunt trip (SOR)</b>			
12 VAC/DC	S 800-SOR12	2CCS800900R0201	1,871,100
24 VAC/DC	S 800-SOR24	2CCS800900R0191	1,871,100
48...130 VAC/DC	S 800-SOR130	2CCS800900R0221	1,871,100
110...250 VAC/DC	S 800-SOR250	2CCS800900R0211	1,871,100
220...400 VAC/DC	S 800-SOR400	2CCS800900R0231	1,871,100
<b>Pelepas tegangan jatuh (UVR)</b>			
24...36 VAC/DC	S 800-UVR36	2CCS800900R0241	2,391,400
48...60 VAC/DC	S 800-UVR60	2CCS800900R0251	2,391,400
110...130 VAC/DC	S 800-UVR130	2CCS800900R0261	2,391,400
220...250 VAC/DC	S 800-UVR250	2CCS800900R0271	2,391,400
<b>Handel Putar (Rotary handle)</b>			
Drive adapter untuk MCB 3-4P	S 800-RD	2CCS800900R0041	1,353,000
Std handle door	S 800-RHE-H	1SDA060150R0001	1,188,000
Emerg. handle door	S 800-RHE-EM	1SDA060151R0001	1,188,000
Extension for handling - 500mm	S 800-RHE-S	1SDA060179R0001	550,000
IP54 kit untuk rotary handle	S 800-RHE-IP54	1SDA060180R0001	982,300
<b>Short-circuit current limiters with cage terminal</b>			
Limiter untuk 32A	S803S-SCL32	2CCS800900R0291	4,365,900
Limiter untuk 63A	S803S-SCL63	2CCS800900R0301	4,781,700
<b>Intermediate piece &amp; Padlock device</b>			
Intermediate piece 9mm	S 800-IP9	2CCS800900R0031	55,000
Padlock lever lock	S 800-PLL	2CCS800900R0051	1,567,500
<b>Interchangeable adapter kit</b>			
Ring terminal cable connection	S 800-RT2125	2CCS800900R0161	173,800
<b>Busbar sisir</b>			
Busbar 250A	S 803-BB250	2CCS800900R0071	5,495,600
Connector 120mm <sup>2</sup>	S 803-BBPC120	2CCS800900R0101	1,518,000
Busbar isolation cap	S 800-BBIC	2CCS800900R0081	534,600
End cap	S 800-END	2CCS800900R0091	375,100
Label	S 800-ILS	2CCS800900R0121	371,800

## Gawai Proteksi Arus Sisa (RCD) Pendahuluan

### RCD (Residual Current Device)

Pada instalasi listrik, umumnya koneksi netral digunakan, dapat terjadi arus mengalir dari penghantar fase ke tanah dan kemudian kembali ke sumber arus. Arus yang demikian biasanya disebabkan oleh suatu kerusakan, dan disebut sebagai arus gangguan tanah.

Arus gangguan tanah dapat berbahaya dan cukup fatal, tergantung pada besarnya dan lingkungan sekitarnya. Akibat lamanya arus gangguan tanah yang terjadi menyebabkan bahaya kebakaran dan tegangan kejut. Tidak ada cara untuk mencegah terjadinya gangguan tanah. Tetapi, gangguan seperti demikian dapat dengan cepat diisolasi bila terpasang gawai proteksi arus sisa (RCD).

Jangkauan produk ABB untuk RCD menggunakan prinsip yang telah teruji yaitu core balance transformer dengan gawai trip magnetik permanen. Gawai trip gangguan ini adalah elemen yang bersensitivitas tinggi. Gawai ini mampu mendeteksi arus gangguan tanah dan memutuskan dalam waktu sesingkat mungkin. Sehingga resiko bahaya kebakaran dan tegangan kejut dapat diminimalisir.

Fungsi gawai proteksi arus sisa:

1. Proteksi manusia terhadap tegangan kejut:
  - Proteksi terhadap kontak langsung, saat terjadi kontak langsung dengan bagian bertegangan, maka arus mengalir ke tubuh, dan harus diputuskan dalam waktu paling singkat.
  - Proteksi terhadap kontak tidak langsung, bila tegangan yang cukup tinggi terhubung dengan bagian penghantar terbuka menyentuh tubuh manusia.
2. Proteksi terhadap bahaya kebakaran
  - Proteksi terhadap terjadinya api yang disebabkan oleh listrik karena arus gangguan tanah

RCD (gawai proteksi arus sisa) dapat dibedakan berdasarkan 4 parameter sebagai berikut:

1. Jenis konstruksi
  - RCCB (tanpa proteksi arus lebih)
  - RCBO (gawai tunggal sudah terintegrasi proteksi arus sisa, beban lebih dan arus hubung pendek)
  - Blok RCD (gawai proteksi arus sisa yang dipasangkan dengan MCB standar)
  - RCD (gawai proteksi arus sisa) elektronik dengan sensor toroida terpisah
2. Bentuk gelombang dari arus sisa
  - tipe AC (hanya untuk arus AC, dimana arus sisaberbentuk sinusoidal)
  - tipe A (untuk arus AC dan / atau arus pulsa dengan komponen DC)
  - tipe B (untuk arus AC dan / atau arus pulsa dengan komponen DC dan arus kontinyu)
3. Sensitivitas trip
  - $I_{\Delta n} > 0.03A$ , kategori rendah, tidak cocok untuk gangguan sentuhan langsung. Batas maksimal  $I_{\Delta n} < 50/R$
  - $I_{\Delta n}$ : 0.01A s/d 0.03A, kategori tinggi, cocok untuk gangguan sentuhan langsung
4. Waktu trip (instant atau selektivitas dengan waktu tunda)
  - Kategori instan dimana unit harus trip maksimal 0.04 detik saat arus sisa melebihi ambang batas  $I_{\Delta n}$
  - Kategori selektivitas dimana unit akan bertahan selama 0.1 detik saat arus sisa melebihi ambang batas  $I_{\Delta n}$  sebelum akhirnya trip





## Gawai Proteksi Arus Sisa

### RCCB FH200 AC

Standar Fungsi	IEC/EN 61008 proteksi terhadap arus gangguan ke tanah (AC sinusoidal), proteksi terhadap sentuhan tak langsung dan juga sentuhan langsung (dengan $I\Delta n = 30\text{mA}$ )
Aplikasi	rumah, gedung baik residensial atau komersial



Kutub	$I\Delta n$	$I_n$ (A)	Tipe	No. Ref	Harga IDR
2	30	25	FH202AC-25/0.03	2CSF202006R1250	536,800
		40	FH202AC-40/0.03	2CSF202006R1400	590,150
		63	FH202AC-63/0.03	2CSF202006R1630	751,300
	100	25	FH202AC-25/0.1	2CSF202006R2250	748,000
		40	FH202AC-40/0.1	2CSF202006R2400	698,500
		63	FH202AC-63/0.1	2CSF202006R2630	935,000
	300	25	FH202AC-25/0.3	2CSF202006R3250	561,000
		40	FH202AC-40/0.3	2CSF202006R3400	616,000
		63	FH202AC-63/0.3	2CSF202006R3630	781,000
4	30	25	FH204AC-25/0.03	2CSF204006R1250	841,500
		40	FH204AC-40/0.03	2CSF204006R1400	962,500
		63	FH204AC-63/0.03	2CSF204006R1630	1,089,550
	100	25	FH204AC-25/0.1	2CSF204006R2250	1,171,940
		40	FH204AC-40/0.1	2CSF204006R2400	1,374,230
		63	FH204AC-63/0.1	2CSF204006R2630	1,562,330
	300	25	FH204AC-25/0.3	2CSF204006R3250	803,000
		40	FH204AC-40/0.3	2CSF204006R3400	880,000
		63	FH204AC-63/0.3	2CSF204006R3630	1,116,500

## Gawai Proteksi Arus Sisa

### RCCB F200 AC

Standar Fungsi	IEC/EN 61008 proteksi terhadap arus gangguan ke tanah (AC sinusoidal), proteksi terhadap sentuhan tak langsung dan juga sentuhan langsung (dengan $I\Delta n = 30\text{mA}$ )
Aplikasi	gedung komersial dan industri

Kutub	$I\Delta n$	In (A)	Tipe	No. Ref	Harga IDR
2	10	16	F202AC-16/0.01	2CSF202005R0160	1,133,000
		25	F202AC-25/0.03	2CSF202005R1250	739,750
		40	F202AC-40/0.03	2CSF202005R1400	797,500
		63	F202AC-63/0.03	2CSF202005R1630	1,001,000
	100	25	F202AC-25/0.1	2CSF202005R2250	825,000
		40	F202AC-40/0.1	2CSF202005R2400	841,500
		63	F202AC-63/0.1	2CSF202005R2630	1,045,000
	300	25	F202AC-25/0.3	2CSF202005R3250	803,000
		40	F202AC-40/0.3	2CSF202005R3400	831,600
		63	F202AC-63/0.3	2CSF202005R3630	1,083,500
		80	F202AC-80/0.3	2CSF202005R3800	2,035,000
		100	F202AC-100/0.3	2CSF202005R3900	2,431,000
4	30	25	F204AC-25/0.03	2CSF204005R1250	1,017,500
		40	F204AC-40/0.03	2CSF204005R1400	1,237,500
		63	F204AC-63/0.03	2CSF204005R1630	1,592,800
	100	25	F204AC-25/0.1	2CSF204005R2250	1,199,770
		40	F204AC-40/0.1	2CSF204005R2400	1,476,530
		63	F204AC-63/0.1	2CSF204005R2630	2,246,530
	300	25	F204AC-25/0.3	2CSF204005R3250	1,167,100
		40	F204AC-40/0.3	2CSF204005R3400	1,392,600
		63	F204AC-63/0.3	2CSF204005R3630	1,545,500
		80	F204AC-80/0.3	2CSF204005R3800	2,626,250
		100	F204AC-100/0.3	2CSF204005R3900	2,907,300



## Gawai Proteksi Arus Sisa (RCD)

RCBO - DS 201; RCBO Compact - DSN 201

Standar Fungsi	IEC/EN 61009 - 1 proteksi sirkit fasa tunggal terhadap arus gangguan ke tanah berbentuk (AC sinusoidal) arus beban lebih dan arus hubung pendek yang terintegrasi menjadi satu. Dan proteksi terhadap sentuhan tak langsung dan juga sentuhan langsung (dengan IΔn = 30, 300mA)
Aplikasi Icu Kurva C	6 kA Im (pemutusan magnetis) antara 5 In dan 10 In



Kutub	IΔn	In (A)	Tipe	No. Ref	Harga IDR
<b>Tipe AC</b>					
1+N	30	6	DS201 C6 AC30	2CSR255080R1064	1,428,350
2 Modul		10	DS201 C10 AC30	2CSR255080R1104	1,428,350
		16	DS201 C16 AC30	2CSR255080R1164	1,428,350
		20	DS201 C20 AC30	2CSR255080R1204	1,463,550
		25	DS201 C25 AC30	2CSR255080R1254	1,463,550
		32	DS201 C32 AC30	2CSR255080R1324	1,463,550
		40	DS201 C40 AC30	2CSR255080R1404	1,463,550
	300	6	DS201 C6 AC300	2CSR255080R3064	1,542,750
		10	DS201 C10 AC300	2CSR255080R3104	1,542,750
		16	DS201 C16 AC300	2CSR255080R3164	1,542,750
		20	DS201 C20 AC300	2CSR255080R3204	1,558,150
		25	DS201 C25 AC300	2CSR255080R3254	1,558,150
		32	DS201 C32 AC300	2CSR255080R3324	1,558,150
		40	DS201 C40 AC300	2CSR255080R3404	1,558,150
<b>Tipe AC</b>					
1+N	30	6	DSN201C6AC30	2CSR255050R1064	641,520
Compact		10	DSN201C10AC30	2CSR255050R1104	641,520
		16	DSN201C16AC30	2CSR255050R1164	641,520
		20	DSN201C20AC30	2CSR255050R1204	641,520
		25	DSN201C25AC30	2CSR255050R1254	705,760

## Gawai Proteksi Arus Sisa (RCD)

RCBO - DS 200 AC - C

Standar Fungsi	IEC/EN 61009 dan IEC/EN 60947-2 proteksi terhadap arus gangguan ke tanah berbentuk (AC sinusoidal) dan proteksi arus beban lebih dan arus hubung pendek yang terintegrasi menjadi satu. Dan proteksi terhadap sentuhan tak langsung dan juga sentuhan langsung (dengan $I\Delta n = 30\text{mA}$ )
Aplikasi Icu Kurva C	gedung komersial dan industri 6kA $I_m$ (pemutusan magnetis) antara 5 $I_n$ dan 10 $I_n$




Kutub	$I\Delta n$	$I_n$ (A)	Tipe	No. Ref	Harga IDR
<b>Tipe AC</b>					
2	30	6	DS202AC-C6/0.03	2CSR252001R1064	1,135,420
		10	DS202AC-C10/0.03	2CSR252001R1104	1,135,420
		16	DS202AC-C16/0.03	2CSR252001R1164	1,135,420
		20	DS202AC-C20/0.03	2CSR252001R1204	1,178,430
		25	DS202AC-C25/0.03	2CSR252001R1254	1,178,430
		32	DS202AC-C32/0.03	2CSR252001R1324	1,179,640
		40	DS202AC-C40/0.03	2CSR252001R1404	3,733,730
		50	DS202AC-C50/0.03	2CSR252001R1504	3,858,910
		63	DS202AC-C63/0.03	2CSR252001R1634	3,932,940
3	30	6	DS203AC-C6/0.03	2CSR253001R1064	6,374,390
		10	DS203AC-C10/0.03	2CSR253001R1104	6,374,390
		16	DS203AC-C16/0.03	2CSR253001R1164	6,374,390
		20	DS203AC-C20/0.03	2CSR253001R1204	6,418,610
		25	DS203AC-C25/0.03	2CSR253001R1254	6,374,390
		32	DS203AC-C32/0.03	2CSR253001R1324	6,626,730
		40	DS203AC-C40/0.03	2CSR253001R1404	7,522,350
		50	DS203AC-C50/0.03	2CSR253001R1504	7,689,330
		63	DS203AC-C63/0.03	2CSR253001R1634	7,752,580
4	30	6	DS204AC-C6/0.03	2CSR254001R1064	6,939,790
		10	DS204AC-C10/0.03	2CSR254001R1104	6,939,790
		16	DS204AC-C16/0.03	2CSR254001R1164	6,939,790
		20	DS204AC-C20/0.03	2CSR254001R1204	6,939,790
		25	DS204AC-C25/0.03	2CSR254001R1254	6,939,790
		32	DS204AC-C32/0.03	2CSR254001R1324	6,939,790
		40	DS204AC-C40/0.03	2CSR254001R1404	9,912,540
		50	DS204AC-C50/0.03	2CSR254001R1504	9,912,540
		63	DS204AC-C63/0.03	2CSR254001R1634	9,912,540



## Gawai Proteksi Arus Sisa (RCD)

### Blok RCD DDA 200 AC

Standar	IEC/EN 61009 Ann. G
Fungsi	Blok-RCD dirakit dengan MCB seri S 200 proteksi terhadap arus gangguan ketanah bentuk (AC sinusoida) proteksi terhadap sentuhan tak langsung dan juga sentuhan langsung (dengan $I_{\Delta n} = 30\text{mA}$ )
Aplikasi	Tersedia tipe selektif (S) untuk waktu trip tertahan selama 0.1 detik gedung perumahan, komersial dan industri

Kutub	$I_{\Delta n}$	In (A)	Tipe	No. Ref	Harga IDR	
	30	25	DDA202AC-25/0.03	2CSB202001R1250	1,089,660	
		40	DDA202AC-40/0.03	2CSB202001R1400	1,585,540	
		63	DDA202AC-63/0.03	2CSB202001R1630	1,609,630	
	300	25	DDA202AC-25/0.3	2CSB202001R3250	996,930	
		40	DDA202AC-40/0.3	2CSB202001R3400	1,356,850	
		63	DDA202AC-63/0.3	2CSB202001R3630	1,377,420	
	Tipe selektif (S)		63	DDA202AS-63/0.3	2CSB202201R3630	1,843,270
		30	25	DDA203AC-25/0.03	2CSB203001R1250	1,553,750
			40	DDA203AC-40/0.03	2CSB203001R1400	2,124,760
63			DDA203AC-63/0.03	2CSB203001R1630	2,157,100	
300		25	DDA203AC-25/0.3	2CSB203001R3250	1,404,260	
		40	DDA203AC-40/0.3	2CSB203001R3400	1,623,270	
		63	DDA203AC-63/0.3	2CSB203001R3630	1,647,910	
Tipe selektif (S)			63	DDA203AS-63/0.3	2CSB203201R3630	2,138,840
		30	25	DDA204AC-25/0.03	2CSB204001R1250	1,807,080
			40	DDA204AC-40/0.03	2CSB204001R1400	2,514,270
	63		DDA204AC-63/0.03	2CSB204001R1630	2,552,550	
	300	25	DDA204AC-25/0.3	2CSB204001R3250	1,496,330	
		40	DDA204AC-40/0.3	2CSB204001R3400	2,212,980	
		63	DDA204AC-63/0.3	2CSB204001R3630	2,246,640	
	Tipe selektif (S)		63	DDA204AS-63/0.3	2CSB204201R3630	2,462,130

## Gawai Proteksi Arus Sisa (RCD)

Gawai Proteksi Arus Sisa - Rele arus sisa dengan toroida terpisah

Standar	IEC/EN 62020, IEC/EN 60947-2 annex. M
Fungsi	Rele mendeteksi arus bocor dengan menggunakan sensor toroida sensitivitas dapat diatur, kontak keluaran bisa digunakan untuk membuka pemutus sirkit. Terdapat 3 tipe, RD2, RD3 dan ELR. RD2 dan RD3 merupakan tipe rel DIN sedangkan ELR tipe untuk dipasang di pintu panel depan
Aplikasi	untuk mendeteksi arus bocor dengan setelan arus sensitivitas digunakan untuk aplikasi industri

### Rele arus sisa

Tegangan Kerja	I <sub>Δn</sub> (A)	Tipe	No. Ref	Harga IDR
230...400 AC	0.03 - 2	RD2	2CSM142120R1201	5,063,190
48...150 AC/DC	0.03 - 2	RD2-48	2CSM242120R1201	5,266,910
12...48 AC/DC	0.03...30	RD3-48	2CSJ201001R0001	5,794,360
230...400 AC	0.03...30	RD3	2CSJ201001R0002	5,571,060
12...48 AC/DC	0.03...30	RD3M-48	2CSJ202001R0001	6,372,520
230...400 AC	0.03...30	RD3M	2CSJ202001R0002	6,127,660
12...48 AC/DC	0.03...30	RD3P-48	2CSJ203001R0001	7,010,630
230...400 AC	0.03...30	RD3P	2CSJ203001R0002	6,739,920
110 AC/DC - 230 AC	0.03...30	ELR48P	2CSG252211R1202	4,943,070
110 AC/DC - 230 AC	0.03...30	ELR72	2CSG252120R1202	4,428,820
110-230-400 AC	0.03...30	ELR72P	2CSG152424R1202	5,624,850
110-230-400 AC	0.03...30	ELR96	2CSG152130R1202	3,993,660
110-230-400 AC	0.03...30	ELR96P	2CSG152434R1202	4,992,350

### Sensor trafo toroida

Diameter	Tipe	No. Ref	Harga IDR
29 (versi modular)	TRM	2CSM029000R1211	1,914,660
35	TR1	2CSG035100R1211	1,810,270
60	TR2	2CSG060100R1211	2,044,900
80	TR3	2CSG080100R1211	2,840,640
110	TR4	2CSG110100R1211	3,521,210
110 (bisa dibuka)	TR4/A	2CSG110200R1211	7,040,000
160	TR160	2CSG160100R1211	5,949,350
160 (bisa dibuka)	TR160A	2CSG160200R1211	8,696,270
210	TR5	2CSG210100R1211	7,035,380
210 (bisa dibuka)	TR5/A	2CSG210200R1211	9,905,500



## Gawai Proteksi Busur Listrik (AFDD)

### Pendahuluan

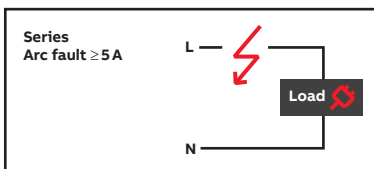
Pendeteksian dini busur listrik pada instalasi jaringan dapat mencegah terjadinya kebakaran pada rumah, gedung dan bangunan lainnya, sehingga hal-hal yang tidak diinginkan seperti kehilangan nyawa dan aset dapat dihindari. Berangkat dari maksud tersebut, ABB selaku pabrikan alat proteksi listrik yang sudah bertahun-tahun terbukti, merancang sebuah alat proteksi jaringan listrik berdasarkan adanya busur listrik sesuai dengan standar IEC 62606 yang menyatakan bahwa jaringan listrik harus terputus saat terdeteksinya busur listrik.

Busur listrik biasanya terjadi karena adanya hubungan 2 bagian konduktif dengan tingkat tegangan listrik yang berbeda melalui jalur konduksi. Konduktor yang rusak dapat menyebabkan terjadinya busur listrik antar kontak material terdekat. Hal ini disebabkan adanya arus yang melalui konduktor rusak tersebut sehingga meningkatkan densitas arus listrik dan sesuai dengan efek joule peningkatan densitas arus listrik dalam waktu singkat akan menimbulkan efek panas yang berlebih sampai dengan terjadinya kebakaran.

Lebih lanjut, busur listrik dapat dibagi menjadi 3 kategori:

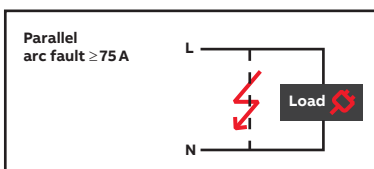
#### 1. Busur listrik paralel

Busur listrik paralel terjadi karena adanya arus yang mengalir antar konduktor aktif beda fasa pada jaringan secara paralel (mirip arus hubung singkat tetapi dengan nominal arus lebih kecil). Fenomena ini dapat diilustrasikan dengan diagram satu baris sebagai berikut:



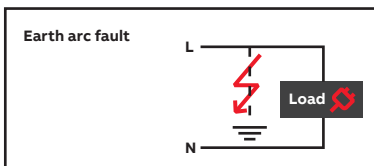
#### 2. Busur listrik serial

Busur listrik serial terjadi karena adanya gangguan pada jalur instalasi listrik sehingga arus tidak merambat sampai kepada beban dengan semestinya. Fenomena ini dapat diilustrasikan dengan diagram satu baris sebagai berikut:



#### 3. Busur listrik pentanahan

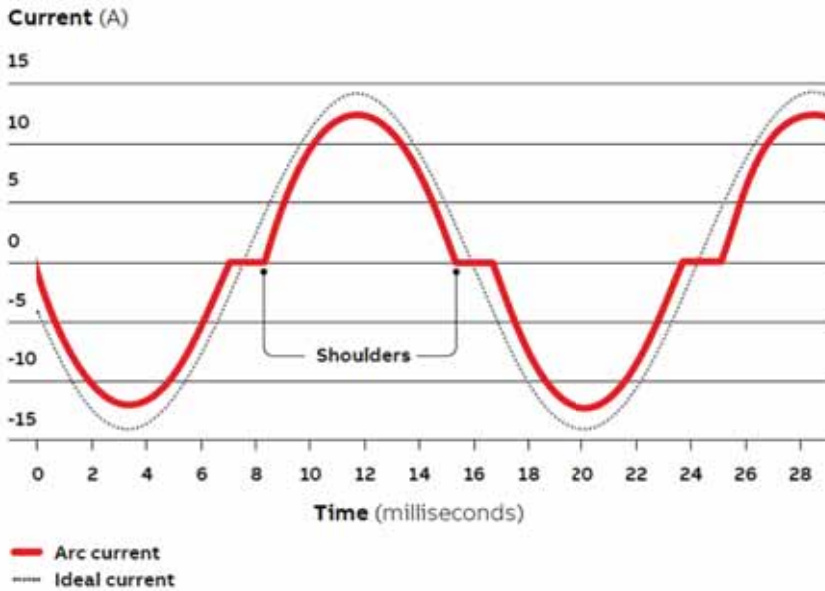
Busur listrik pentanahan merupakan busur listrik yang terjadi karena adanya arus yang mengalir ke tanah karena disengaja ataupun tidak, fenomena yang sejenis dengan arus gangguan tanah. Fenomena ini dapat diilustrasikan dengan diagram satu baris sebagai berikut:



# Gawai Proteksi Busur Listrik (AFDD)

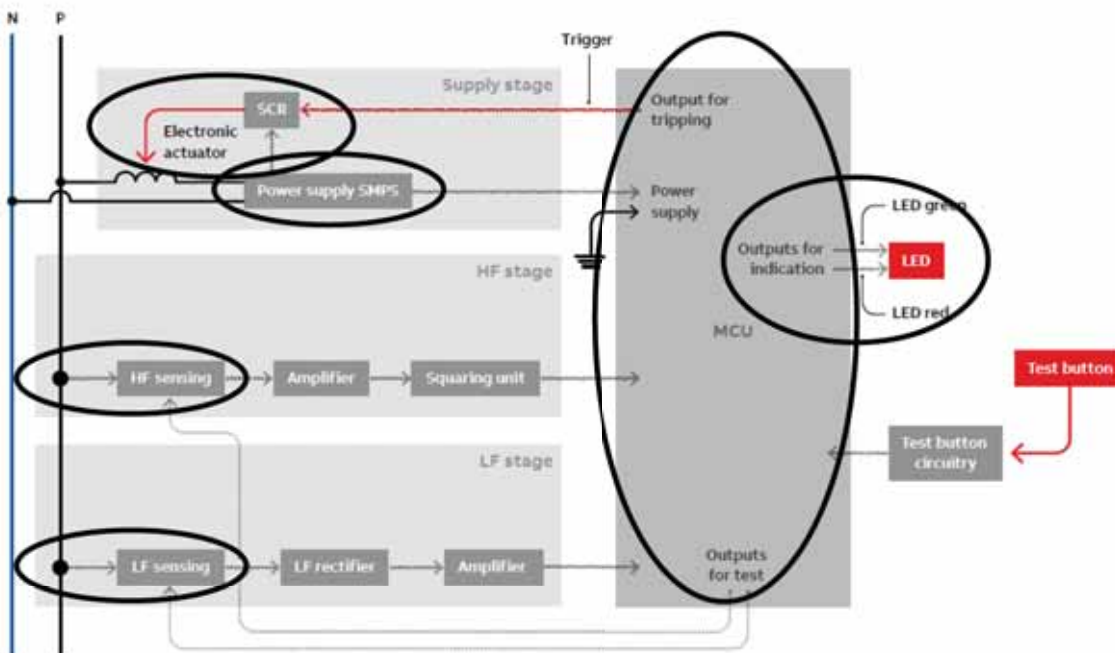
## Pendahuluan

Gawai proteksi busur listrik bekerja dengan mendeteksi perubahan bentuk dari sinyal sinusoidal arus listrik. Saat terjadinya busur listrik maka bentuk dari arus sinusoidal akan berubah dengan adanya bahu bahu pada area titik nol.



Alat pendeteksi sinyal tersebut berupa PCB yang dipasang pada unit komponen dan terdiri dari beberapa komponen penyusun yaitu:

1. SMPS; merupakan penyalur utama daya untuk PCB
2. Sensor unit, terdiri dari 2 sensor unit:
  - High frequency (HF) noise, digunakan untuk deteksi sinyal busur listrik serial
  - Low frequency (LF) noise, digunakan untuk deteksi sinyal busur listrik paralel
3. Microcontroller unit (MCU); berfungsi sebagai pengolah data
4. Silicon Controlled Rectifier (SCR); berfungsi sebagai aktuator saat terjadinya busur listrik





## Gawai Proteksi Busur Listrik (AFDD)

AFDD S-ARC1, kurva C

Standar	IEC 62606; EC 62606; IEC 60898-1; EN 60898-1
Fungsi	Proteksi terhadap arus hubung pendek, beban lebih, busur listrik paralel, busur listrik serial dan busur listrik pentanahan
Aplikasi	perumahan, gedung komersial dan industri
Icn	6kA, 10kA
Kurva C	Im (pemutusan magnetis) antara 5 In dan 10 In



Jumlah Kutub	Icn (kA)	In (A)	Tipe	No. Ref	Harga IDR
1P+N	6	6	S-ARC1C6	2CSA255901R9064	6,130,960
		10	S-ARC1C10	2CSA255901R9104	5,839,130
		13	S-ARC1C13	2CSA255901R9134	5,839,130
		16	S-ARC1C16	2CSA255901R9164	5,839,130
		20	S-ARC1C20	2CSA255901R9204	5,839,130
		25	S-ARC1C25	2CSA255901R9254	6,130,960
		32	S-ARC1C32	2CSA255901R9324	6,422,790
		40	S-ARC1C40	2CSA255901R9404	6,422,790
10	6	6	S-ARC1MC6	2CSA275901R9064	7,357,020
		10	S-ARC1MC10	2CSA275901R9104	7,007,000
		13	S-ARC1MC13	2CSA275901R9134	7,007,000
		16	S-ARC1MC16	2CSA275901R9164	7,007,000
		20	S-ARC1MC20	2CSA275901R9204	7,007,000
		25	S-ARC1MC25	2CSA275901R9254	7,357,020
		32	S-ARC1MC32	2CSA275901R9324	7,707,700
		40	S-ARC1MC40	2CSA275901R9404	7,707,700

## Gawai Proteksi Busur Listrik (AFDD)

AFDD DS-ARC1, kurva C

Standar Fungsi	IEC/EN 62606; IEC/EN 61009-1; IEC/EN 61009-2-1 Proteksi terhadap arus hubung pendek, beban lebih, arus gangguan tanah, busur listrik paralel, busur listrik serial dan busur listrik pentanahan
Aplikasi	perumahan, gedung komersial dan industri
I <sub>cn</sub>	6kA, 10kA
I $\Delta$ n (mA)	30mA
Kurva C	I <sub>m</sub> (pemutusan magnetis) antara 5 I <sub>n</sub> dan 10 I <sub>n</sub>



Jumlah Kutub	I $\Delta$ n	I <sub>cn</sub> (kA)	I <sub>n</sub> (A)	Tipe	No. Ref	Harga IDR
1P+N	30	6	6	DS-ARC1C6A30	2CSA255103R1064	9,196,770
			10	DS-ARC1C10A30	2CSA255103R1104	8,758,420
			13	DS-ARC1C13A30	2CSA255103R1134	8,758,420
			16	DS-ARC1C16A30	2CSA255103R1164	8,758,420
			20	DS-ARC1C20A30	2CSA255103R1204	8,758,420
		10	6	DS-ARC1MC6A30	2CSA275103R1064	11,441,100
			10	DS-ARC1MC10A30	2CSA275103R1104	10,896,160
			13	DS-ARC1MC13A30	2CSA275103R1134	10,896,160
			16	DS-ARC1MC16A30	2CSA275103R1164	10,896,160
			20	DS-ARC1MC20A30	2CSA275103R1204	10,896,160

## Komponen Modular Rel DIN

### Pendahuluan

Selain komponen alat proteksi tegangan rendah tingkat akhir utama seperti pemutus sirkit miniatur (MCB), gawai proteksi arus sisa (RCD), gawai proteksi tegangan surja (SPD) dan gawai proteksi arus busur api (AFDD), ABB juga mempunyai komponen modular rel DIN lainnya sebagai satu kesatuan sistem proteksi kelistrikan yang andal.

Adapun komponen modular rel DIN lainnya diluar 4 kompenen yang disebutkan diatas dapat dikelompokan dan di sub-kelompokan sebagai berikut ini:

1. Komponen sinyal dan perintah
  - Bel dan sirine
  - Saklar kontrol rel DIN, tombol tekan (push button) rel DIN dan lampu indikator tipe rel DIN
  - Trafo 1 fasa tipe modular dan industri
  - Relai latching dan instalasi
  - Switch disconnecter (SD)
  - Modular soket
2. Komponen pengaman dan sistem proteksi
  - Fuse, fuse holder dan fuse switch disconnecter
  - Komponen panel ruang operasi rumah sakit
  - Komponen insulation monitoring ISL
  - Gawai proteksi untuk sistem arus searah (DC)
  - Relai proteksi tipe rel DIN
  - Solar combiner box
  - Sistem plug in Smissline TP
3. Komponen kontrol dan otomasi
  - Saklar waktu analog dan digital tipe rel DIN
  - Saklar otomasi pencahayaan berdasarkan intensitas lumen
  - Dimmer
  - Thermostat rel DIN
  - Komponen relai pengatur beban
  - Lampu sinyal daya mati

Diharapkan dengan adanya kelengkapan komponen rel DIN ini dapat menjadi solusi yang lengkap bagi para pengguna listrik merek ABB sehingga dapat memberikan nilai lebih kepada para pengguna.

## Komponen modular rel DIN

### Komponen sinyal dan perintah



#### Komponen bel dan sirine:

Berbagai pilihan produk bel dan sirine modular tipe rel DIN dengan pilihan pasokan aliran listrik 12VAC maupun 230VAC sebagai sinyal akustik yang dapat difungsikan sebagai alarm notifikasi, supervisi dan sebagainya. Dapat digunakan di residensial, gedung komersial, sekolah, rumah sakit dan kawasan industri. Mampu menghasilkan suara sampai dengan 80 dB serta memiliki 4 versi pilihan yaitu RI (bel), BR (sirine), TSM (bel dengan trafo) dan TSR (bel, sirine dan trafo).

\* Untuk informasi harga dan lainnya silahkan hubungi kontak ABB terdekat



#### Komponen saklar kontrol rel DIN, tombol tekan (push button) rel DIN dan lampu indikator tipe rel DIN:

Berbagai macam pilihan saklar dalam bentuk rel DIN setengah modul yang ramping dapat menghemat banyak tempat dalam panel, digunakan untuk saklar beban serta tujuan lainnya. Selain itu juga terdapat berbagai macam tombol tekan dan lampu indikator tipe rel DIN dengan kecerahan maksimal serta hemat konsumsi daya.

\* Untuk informasi harga dan lainnya silahkan hubungi kontak ABB terdekat



#### Komponen trafo 1 fasa tipe modular dan industri

Berikut ini berbagai macam pilihan trafo 1 fasa dan peruntukannya:

- Trafo bell tipe TM, TS: digunakan untuk beban diskontinyu seperti bel dan sirine, dimana sirkuit utama dan sekunder terisolir dan terpisah secara sempurna
- Trafo kontrol tipe TM-C, TM-S, TM-I: trafo yang dapat digunakan untuk kebutuhan sirkuit kontrol dan mengacu pada standar IEC 61558-2-2
- Trafo pengaman tipe TS-C, TM-S: trafo yang dapat digunakan pada aplikasi tegangan sangat rendah (<50V saat tidak ada beban). Kontak yang tidak sengaja dengan fasa sirkuit sekunder tidak akan menimbulkan bahaya yang signifikan serta mengacu pada standar IEC 61558-2-4



- Trafo isolasi tipe TM-I: trafo yang dapat digunakan untuk melindungi sirkuit listrik terutama terhadap arus sisa pentanahan dan netral. Banyak digunakan untuk alat-alat medis yang sangat sensitif dan berkaitan langsung dengan pasien

\* Untuk informasi harga dan lainnya silahkan hubungi kontak ABB terdekat



#### Komponen relai latching dan instalasi

Relai latching dapat digunakan untuk menahan beban dalam batas waktu tertentu saat pasokan utama daya sudah mati sehingga sistem tidak mati sekaligus saat kehilangan pasokan daya utama tersebut. Terdapat 2 tipe relai latching yaitu relai standar dan relai sekuensial. Relai latching standar terdapat beberapa pilihan dengan 1 NO, 2 NO dan 1NO/NC

Relai instalasi rel DIN mempunyai fungsi relai pada umumnya tetapi dengan konfigurasi lebih sederhana dalam bentuk monoblok. Terdapat beberapa pilihan yaitu dengan 1 NO, 2 NO dan 1 NO/NC

\* Untuk informasi harga dan lainnya silahkan hubungi kontak ABB terdekat

## Komponen modular rel DIN

Komponen sinyal dan perintah - Modular soket



### Switch disconnector:

Terdapat beberapa pilihan switch disconnecter atau saklar pemisah berdasarkan tipe dan jenisnya:

	SD200	SHD200	E200
Arus kerja (A)	16/25/32/40/50/63	16/25/32/40/50/63	80/100/125
Tegangan (V)	253/440	240/415	240/415
Hubung Singkat	25 kA	10 kA	6 kA (125A); 25 kA
Standar	IEC/EN 60947-3	IEC/EN 60947-3	IEC/EN 60947-3

\* Untuk informasi harga dan lainnya silahkan hubungi kontak ABB terdekat



### Modular soket:

Modular soket merupakan soket atau stop kontak dalam bentuk rel DIN. Biasanya terpasang didalam panel

Deskripsi	Tipe	No. Ref	Harga IDR
Stop kontak Schuko	M1175	2CSM210000R0721	151,250
M1175 dengan cover	M1175-C	2CSM211000R0721	348,040
M1175 dengan lampu	M1175-L	2CSM212000R0721	200,750
M117+lampu+fuse	M1175-FL	2CSM214000R0721	428,450
Stop kontak tipe BS	M1363	2CSM259343R0721	437,250

## Komponen modular rel DIN

Komponen pengaman dan sistem proteksi



### Komponen panel ruang operasi rumah sakit / panel OT / panel OKA

Ruang operasi dan perawatan pasien merupakan ruang yang membutuhkan aliran listrik tanpa adanya arus sisa pentanahan dikarenakan banyak alat listrik dan elektronik yang berhubungan langsung dengan pasien. Keselamatan dan keamanan jaringan listrik dari gangguan apapun merupakan prioritas yang dapat ditawarkan sehingga dibutuhkan komponen - komponen alat listrik yang handal. ABB menawarkan komponen ruang operasi sebagai berikut:

1. ISOLTESTER  
Merupakan alat monitoring jaringan listrik trafo isolasi dari gangguan terutama yang terjadi karena adanya arus sisa pentanahan.
  2. SELVTESTER  
Mempunyai fungsi yang hampir sama dengan ISOLTESTER tetapi untuk jaringan listrik bertegangan 24 VAC/VDC.
  3. QSD  
Merupakan panel sinyal untuk visualisasi dan notifikasi terhadap gangguan yang timbul dalam jaringan listrik trafo isolasi.
  4. Trafo Isolasi  
Merupakan trafo yang menggunakan galvanis untuk memisahkan antara jaringan distribusi dengan beban pengguna dimana dengan metode tersebut panas dari trafo bisa lebih cepat terdistribusi dan mengurangi gangguan jaringan maupun harmonik yang disebabkan oleh komponen distribusi utama.
  5. QSO Switchboard  
Selain dalam bentuk komponen, ABB juga dapat menyediakan panel ruang operasi dalam bentuk panel utuh, berupa panel berdiri (floor standing) maupun panel gantung (wall mount). Desain dapat menggunakan desain dasar dari ABB maupun desain yang disesuaikan dari kebutuhan konsumen. Panel - panel tersebut akan mengacu dan disertifikasikan (type test panel) pada standar IEC 60364-7-710.
- \* Untuk informasi harga dan lainnya silahkan hubungi kontak ABB terdekat

### Komponen insulation monitoring ISL

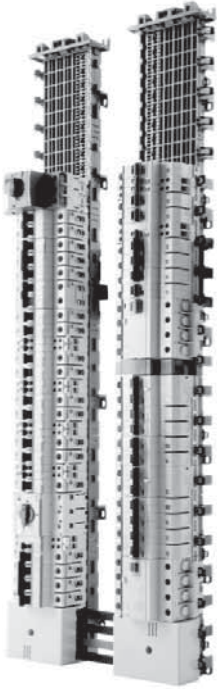
Digunakan untuk tetap menjaga keberlangsungan proses operasional saat terjadi gangguan terutama saat adanya arus bocor/ arus sisa pentanahan sehingga meminimalisir waktu jeda operasional (down time) dan ongkos perawatan.

Terdapat 4 tipe insulation monitoring:

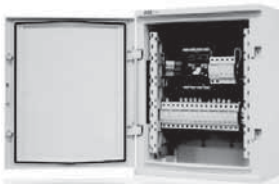
1. ISL-MOT - insulation monitoring untuk jaringan tanpa voltase
  2. ISL-C - insulation monitoring untuk jaringan AC
  3. ISL-A 115 - 600 - insulation monitoring untuk jaringan DC
  4. ISL-A 24 - 48 - insulation monitoring untuk jaringan AC/DC 24-48 V
- \* Untuk informasi harga dan lainnya silahkan hubungi kontak ABB terdekat

## Komponen modular rel DIN

Komponen pengaman dan sistem proteksi



Mohon dikirim  
file highesnya  
karena gambar ini  
lowres



### Sistem plug in Smissline TP

Smissline TP merupakan sebuah sistem jaringan listrik tegangan rendah yang bertujuan meminimalisir penggunaan kabel, waktu instalasi, waktu perawatan dan juga mempermudah dan memberikan rasa aman bagi pengguna dalam pengoperasional sistem.

Terdiri dari beberapa komponen utama, tetapi secara garis besar dapat dibedakan berdasarkan kapasitas sistem busbarnya:

1. Sistem 125A
2. Sistem 250A

Komponen yang digunakan pun merupakan komponen yang berbeda dari komponen rel DIN pada umumnya untuk disesuaikan dengan sistem busbar Smissline TP. Untuk komponen yang tidak tersedia dalam satuan sistem Smissline, maka akan difasilitasi menggunakan adapter seperti adapter untuk MCCB Tmax dan motor starter.

Selain dapat disusun dan didesain secara mandiri oleh para pengguna, sistem Smissline TP ini juga dapat didesain menjadi satu kesatuan panel yang disebut remote power panel (RPP). Panel ini akan sangat berguna terutama untuk pasar yang menuntut kontinuitas operasional sangat tinggi seperti data center dan rumah sakit.

Informasi mengenai RPP dapat diakses melalui tautan berikut ini:

<https://new.abb.com/low-voltage/industries/datacenters/power-distribution/remote-power-panels>

\* Untuk informasi harga dan lainnya silahkan hubungi kontak ABB terdekat

### Solar combiner box

Solar combiner box adalah panel yang diproduksi langsung oleh ABB untuk kebutuhan instalasi panel surya, berfungsi untuk mengkombinasikan kumpulan arus yang dihasilkan oleh string panel surya menuju inverter untuk disimpan ke sistem batere atau didistribusikan secara langsung. Setiap panel dapat berkapsitas 2 - 40 string combiner.

Selain kapsitas string, kapasitas daya pun dapat bervariasi dari 1000VDC - 1500 VDC dengan berbagai macam variasi arus.

Adapun beberapa komponen utama yang terdapat dalam solar combiner box ini adalah sebagai berikut:

1. Box panel (Gemini, Mistral)
2. Main switch disconnecter / saklar pemisah utama (S800PV, OTDC, Tmax PV)
3. Gawai proteksi tegangan surja (OVR PV T2)
4. Gawai proteksi untuk string (E90, E91, S800PV-SP)
5. Terminal block dan terminal koneksi (SNK or others)
6. String combiner (DBL distribution block)
7. Sistem monitoring (CMS 660, insite pro M)
8. Konektor untuk sistem panel surya (MC4 dan MC4-Evo2 PV)

\* Untuk informasi harga dan lainnya silahkan hubungi kontak ABB terdekat

## Komponen modular rel DIN

Komponen pengaman dan sistem proteksi - Fuse dan fuse holder

### Gawai proteksi untuk sistem arus searah (DC) EPD24:

Merupakan kompone modular rel DIN untuk proteksi sistem jaringan listrik 24 VDC. Tersedia beberapa pilihan kapasitas arus dari 0.5 - 12 A. Dilengkapi dengan tombol manual on/off serta lebar modul yang hanya 12.5 mm.

\* Untuk informasi harga dan lainnya silahkan hubungi kontak ABB terdekat

### Rele proteksi tipe rel DIN:

Berfungsi untuk memonitor kondisi arus dan tegangan pada jaringan listrik 1 fasa serta memastikan proteksi sempurna pada peralatan yang terpasang dalam jaringan listrik. Terdapat beberap tipe rele proteksi: rele SQZ3 dan rele undervoltage

### Fuse holder E90 Series

E90h cocok untuk proteksi terhadap beban lebih dan arus hubung pendek, tersedia tipe 1+N dan 3+N, dirancang untuk fuse link tipe gG dan aM

Deskripsi	Tipe	No. Ref	Harga IDR
<b>Untuk fuse link ukuran 10.3 x 38 mm</b>			
1	E91/32	2CSM200923R1801	202,730
1 dengan indikator	E91/32S	2CSM202483R1801	307,010
1 + N	E91hN/32	2CSM200913R1801	344,080
1 + N dengan indikator	E91hN/32S	2CSM206573R1801	516,120
2	E92/32	2CSM200883R1801	435,820
3	E93/32	2CSM206573R1801	637,340
3 + N	E93hN/32	2CSM204743R1801	694,540
<b>Untuk fuse link ukuran 8.5 x 31.5 mm</b>			
1	E91/20	2CSM200983R1801	216,810
1 dengan indikator	E91/20S	2CSM202423R1801	325,710
1 + N	E91hN/20	2CSM200963R1801	364,320
1 + N dengan indikator	E91hN/20S	2CSM200703R1801	548,460
2	E92/20	2CSM200883R1801	435,820
3	E93/20	2CSM200943R1801	664,290
3 + N	E93hN/20	2CSM200933R1801	752,070

### Cylinder fuse untuk fuse holder E90 series

Tersedia cylinder fuse untuk isian dari fuse holder E90 series dengan 2 ukuran, ukuran 10.3 x 38 mm dengan rating arus dari 2 ampere sampai dengan 32 ampere, kemudian ukuran 8.5 x 31.5 mm dengan rating arus dari 2 ampere sampai dengan 20 ampere.

\* Untuk informasi harga dan lainnya silahkan hubungi kontak ABB terdekat



## Komponen modular rel DIN

### Komponen kontrol dan otomasi - Saklar kontrol



#### Saklar kontrol berbasis waktu tipe analog

Saklar ini menggunakan teknologi elektro-magnetis dan dapat diatur sedemikian rupa untuk menghidupkan dan mematikan suatu beban tertentu berdasarkan waktu dan jadwal yang dikehendaki. Sangat cocok untuk aplikasi pencahayaan jalan.

Deskripsi	Tipe	No. Ref	Harga IDR
Daily timer 1 ch lebar 1 modul	AD1NO-R-15m	2CSM222461R1000	731,500
Daily timer 1 ch lebar 2 modul	AD1CO-R-15m	2CSM208151R1000	753,500



#### Saklar kontrol berbasis sensor tipe analog - twilight

Berbeda dengan saklar kontrol berbasis waktu, saklar ini dapat menghidupkan dan mematikan beban berdasarkan masukan kondisional dari sensor yang terhubung dengan unit. Sensor yang digunakan adalah sensor cahaya sehingga saklar ini sangat cocok untuk sistem pencahayaan jalan. Unit order sudah lengkap 1 paket antara saklar dengan sensor, tetapi sensor juga dapat dipesan terpisah.

Deskripsi	Tipe	No. Ref	Harga IDR
Saklar twilight 1 modul	TL1	2CSM229921R1341	1,925,000
Saklar twilight untuk tiang	TL1POLE	2CSM229911R1341	2,475,000
Eksternal sensor	TLs	2CSM229931R1341	918,500



#### Saklar kontrol berbasis waktu tipe digital

secara fungsi dan prinsip kerja, saklar ini mirip dengan saklar sejenis tipe analog dengan perbedaan signifikan pada fitur digital. Dengan fitur digital ini, pengguna dapat mengatur setelan secara daring melalui smartphone via bluetooth sehingga proses konfigurasi dan penyetelan alat dapat dilakukan lebih mudah dan lebih cepat. Selain itu, tipe digital ini pengukuran waktunya bisa lebih akurat dengan durasi lebih lama, dapat disinkronkan dengan sistem GPS untuk terus menjaga keakurasian timer. Saklar ini juga dapat dipadupadankan dengan sensor cahaya sehingga pengaturan seperti sistem pencahayaan jalan dapat lebih akurat serta menghemat daya konsumsi.

Deskripsi	Tipe	No. Ref	Harga IDR
Saklar waktu mingguan	DW1	2CSM222531R1000	3,213,320
Saklar waktu dengan sensor	DWA1	2CSM222511R1000	6,047,800
Saklar waktu sensor tipe tiang	DWTL1	2CSM222491R1000	6,610,890
External sensor tipe digital	DWSensor	2CSM222481R1000	511,500
Saklar waktu tahunan	DY365	2CSM221201R1000	11,295,130
2 chanel ekstension	DY3652CE	2CSM221191R1000	4,587,000
Eksternal antena CF77	DYDCF77	2CSM250421R1000	8,931,780
Eksternal antena GPS	DYGPS	2CSM250411R1000	20,867,550

## Gawai Proteksi Tegangan Surja (SPD)

### Pendahuluan

SPD atau gawai proteksi tegangan surja, memberikan proteksi peralatan (elektronik, telekomunikasi, alat-alat rumah tangga dan alat sistem kelistrikan lainnya) terhadap tegangan surja berupa transien tegangan lebih. Tegangan surja berupa transien tegangan lebih ini timbul umumnya karena pelepasan muatan listrik di atmosfer, pengoperasian saklar tiba-tiba dan interferensi parasit di dalam sirkit itu sendiri.

Ada beberapa penyebab tegangan surja berupa transien tegangan lebih yang menjalar ke saluran tegangan rendah dimana peralatan sensitif terpasang:

- Sambaran petir langsung
- Pengaruh tidak langsung dari sambaran langsung petir
- Pengoperasian atau pensaklaran peralatan produksi seperti trafo, motor listrik, dsb.

Proteksi tegangan surja (SPD) ditujukan untuk memproteksi instalasi dengan membatasi tegangan lebih transien dan menyalurkan arus transient ke bumi untuk mengamankan peralatan listrik dan elektronik pada instalasi kita . SPD dapat dibagi menjadi beberapa tipe:

#### SPD Type 1 dan Type 1+2:

- Proteksi tegangan surja pada zona (LPZ 0 s/d LPZ 1 dan 2)
- Proteksi instalasi listrik terhadap sambaran langsung (direct lightning)
- Impulse discharge current (Iimp) dari 7 s/d 100 kA.

#### SPD Type 2 dan Type 2+3:

- Proteksi tegangan surja zona (LPZ 1 s/d LPZ 2,3 ...)
- Proteksi instalasi listrik pada panel sub-distribusi
- Memperpanjang masa pakai peralatan listrik yang sensitif

#### SPD Type OVR PV:

- SPD khusus diperuntukkan sebagai proteksi instalasi panel surya
- Zona proteksi surja tegangan LPZ 0 s/d LPZ 2
- Menghemat biaya dalam menghindari down time instalasi
- Tegangan operasi maksimum (Uc) s/d 1500 V DC

Penzonaaan yang tertulis diatas berdasarkan standar IEC disebut dengan konsep zona proteksi terhadap petir (LPZ) dimana konsep ini menjamin pengurangan secara bertahap energi dan tegangan surja yang disebabkan oleh petir atau pengoperasionalan saklar peralatan seperti trafo, motor listrik dan sumber tegangan surja lainnya.

#### Zona Luar

- LPZ OA yaitu zona luar tidak diproteksi, dimana zona ini adalah zona bebas yang tidak terlindungi
- LPZ OB yaitu zona luar terproteksi, dimana zona ini diproteksi oleh penangkal petir

#### Zona Dalam

- LPZ 1, merupakan zona dalam terdekat dengan zona luar yang menerima arus surja petir, SPD type 1 harus terpasang antara zona LPZ OB dengan LPZ 1, untuk mengurangi arus surja
- LPZ 2...n, merupakan zona yang semakin mendalam dengan jaringan listrik yang terbagi lagi menjadi sub jaringan listrik yang lebih kecil, antar zona dapat dipasang menggunakan SPD type 2, bahkan jika sudah mendekati unit listrik yang sensitif, dapat menggunakan SPD type 3

## Gawai Proteksi Tegangan Surja (SPD)

SPD OVR tipe 1 dan tipe 1+2



Standar Fungsi

IEC 61643-11 / EN 61643-11  
 SPD Tipe 1 proteksi di sisi 'incoming' terhadap sambaran petir, biasanya dipasang dipanel 'Main Switch Board' (MSB); didesain untuk membuang energi tinggi dari impuls petir; arus impuls maksimum Iimp; berbasis teknologi "spark gap"

Sistem Jaringan Aplikasi Current wave

SPD Tipe 1+2 adalah SPD yang dites dengan standar Tipe 1 dan Tipe 2, dapat dipasang di MSB serta disusun dengan teknologi metal oxide varistor terbaru.

TNS - TT  
 Residensial, lampu jalan, gedung komersial dan industri  
 10/350 untuk Iimp, 8/20 untuk Imax

Tipe	Impulse current imp (kA)	Impulse current Imax (kA)	Protection level Up (kV)	Voltage Un (V)	Max. voltage Uc (V)	Poles	Feature	Tipe	No. Ref	Harga IDR
Tipe 1	25	60	4	230	255	1	-	OVR T1 50 N	2CTB815101R0400	2,151,050
Tipe 1	25	60	2.5	230...400	255	1	-	OVR T1 25 255-7	2CTB815101R8700	1,658,250
Tipe 1	25	60	2.5	230...400	255	3+1	-	OVR T1 3N 25 255-7	2CTB815101R8800	6,325,000
Tipe 1+2	12.5	80	1.4	230...400	275	1+1	S, P	OVR T1-T2 1N 12.5-275s P QS	2CTB815710R1300	3,539,770
Tipe 1+2	12.5	80	1.4	230...400	275	1+1	S, TS, P	OVR T1-T2 1N 12.5-275s P TS QS	2CTB815710R0100	4,042,500
Tipe 1+2	12.5	80	1.4	230...400	275	3	S, TS, P	OVR T1-T2 3L 12.5-275s P TS QS	2CTB815710R0600	7,013,050
Tipe 1+2	12.5	80	1.4	230...400	275	3+1	S, P	OVR T1-T2 3N 12.5-275s P QS	2CTB815710R1900	6,794,370
Tipe 1+2	12.5	80	1.4	230...400	275	3+1	S, TS, P	OVR T1-T2 3N 12.5-275s P TS QS	2CTB815710R0700	7,486,050
Tipe 1+2	12.5	80	1.9	400...690	440	1+1	S, P	OVR T1-T2 1N 12.5-440s P QS	2CTB815710R4200	3,739,530
Tipe 1+2	12.5	80	1.9	400...690	440	1+1	S, TS, P	OVR T1-T2 1N 12.5-440s P TS QS	2CTB815710R3000	4,372,860
Tipe 1+2	12.5	80	1.9	400...690	440	3+1	S, P	OVR T1-T2 3N 12.5-440s P QS	2CTB815710R4800	6,851,940
Tipe 1+2	12.5	80	1.9	400...690	440	3+1	S, TS, P	OVR T1-T2 3N 12.5-440s P TS QS	2CTB815710R3600	7,296,090
Tipe 1+2	25	60	1.5	230...400	255	1	TS, P	OVR T1-T2 25-255 P TS QS*	2CTB825101R0200	5,662,250
Tipe 1+2	25	60	1.5	230...400	255	1+1	TS, P	OVR T1-T2 1N 25-255 P TS QS*	2CTB825101R1500	6,882,370
Tipe 1+2	25	60	1.5	230...400	255	3	TS, P	OVR T1-T2 3L 25-255 P TS QS*	2CTB825101R0600	9,883,500
Tipe 1+2	25	60	1.5	230...400	255	3+1	TS, P	OVR T1-T2 3N 25-255 P TS QS*	2CTB825101R0700	10,994,500

### Catridge

Tipe	Impulse current imp (kA)	Impulse current Imax (kA)	Protection level Up (kV)	Voltage Un (V)	Max. voltage Uc (V)	Poles	Feature	Tipe	No. Ref	Harga IDR
Tipe 1+2	25	60	1.5	230...400	255			OVR T1-T2 25-250 C QS*	2CTB825101R8000	3,756,870
Tipe 1+2	100	60	1.5	230...400	255			OVR T1-T2 N 100-255C QS*	2CTB825101R8200	5,175,950
Tipe 1+2	12.5	80	1.4	230...400	275			OVR T1-T2 12.5-275s C QS	2CTB815710R2600	2,654,830
Tipe 1+2	12.5	80	1.9	400...690	440			OVR T1-T2 12.5-440s C QS	2CTB815710R5500	2,804,650

## Gawai Proteksi Tegangan Surja (SPD)

### SPD OVR tipe 2 dan tipe 2+3



Standar	IEC 61643-11 / EN 61643-11
Fungsi	SPD Tipe 2 adalah untuk proteksi terhadap tegangan lebih transien sambaran tidak langsung) yang terjadi pada jaringan listrik; biasanya dipasang di "sub distribution board" (SDB) untuk gedung komersial atau "main distribution board" (MDB) untuk residensial; didesain untuk arus pembuangan maksimum (Imax), berbasis teknologi MOV (Metal Oxide Varistor) SPD Tipe 2+3 adalah SPD, disusun dengan teknologi metal oxide varistor terbaru yang dipes dengan standar Tipe 2 dan Tipe 3
Sistem Jaringan	TNS - TT
Aplikasi	Residensial, lampu jalan, gedung komersial dan industri
Current wave	10/350 untuk Iimp, 8/20 untuk Imax

Type	Impulse current imp (kA)	Impulse current I <sub>max</sub> (kA)	Protection level Up (kV)	Voltage Un (V)	Max. voltage Uc (V)	Poles	Feature	Type	No. Ref	Harga IDR
Tipe 2	-	40	1.25	230	275	1	P	OVR T2 40-275 P QS	2CTB803871R2300	636,320
Tipe 2	-	40	1.4	230	275	1	P, S	OVR T2 40-275s P QS	2CTB815704R1200	701,030
Tipe 2	-	40	1.4	230	275	1	P, S, TS	OVR T2 40-275s P TS QS	2CTB815704R0000	751,850
Tipe 2	2	40	1.25	230	275	1+1	P	OVR T2 1N 40-275 P QS	2CTB803972R1100	882,420
Tipe 2	2	40	1.4	230	275	1+1	P, S	OVR T2 1N 40-275s P QS	2CTB815704R1400	1,493,140
Tipe 2	2	40	1.4	230	275	1+1	P, S, TS	OVR T2 1N 40-275s P TS QS	2CTB815704R0200	1,630,310
Tipe 2	2	40	1.4	230...400	275	3	P, S	OVR T2 3L 40-275s P QS	2CTB815704R1800	1,776,500
Tipe 2	2	40	1.25	230...400	275	3	P, TS	OVR T2 3L 40-275 P TS QS	2CTB803873R2500	1,908,500
Tipe 2	2	40	1.4	230...400	275	3	P, S, TS	OVR T2 3L 40-275s P TS QS	2CTB815704R0600	1,958,000
Tipe 2	2	40	1.5	230...400	275	3+1	P	OVR T2 3N 40-275 P QS	2CTB803973R1100	1,643,290
Tipe 2	2	40	1.2	230...400	275	3+1	P, S	OVR T2 3N 40-275s P QS	2CTB815704R2000	2,373,030
Tipe 2	2	40	1.5	230...400	275	3+1	P, S, TS	OVR T2 3N 40-275s P TS QS	2CTB815704R0800	2,586,430
Tipe 2	6.25	80	1.4	230	275	1	P, S, TS	OVR T2 80-275s P TS QS	2CTB815708R0000	1,022,340
Tipe 2	6.25	80	1.4	230...400	275	1+1	P, S	OVR T2 1N 80-275s P QS	2CTB815708R1400	1,040,330
Tipe 2	6.25	80	1.4	230...400	275	1+1	P, S, TS	OVR T2 1N 80-275s P TS QS	2CTB815708R0200	1,898,160
Tipe 2	6.25	80	1.4	230...400	275	3	P, S	OVR T2 3L 80-275s P QS	2CTB815708R1800	2,475,550
Tipe 2	6.25	80	1.4	230...400	275	3	P, S, TS	OVR T2 3L 80-275s P TS QS	2CTB815708R0600	2,561,130
Tipe 2	6.25	80	1.4	230...400	275	3+1	P, S	OVR T2 3N 80-275s P QS	2CTB815708R2000	2,710,290
Tipe 2	6.25	80	1.4	230...400	275	3+1	P, S, TS	OVR T2 3N 80-275s P TS QS	2CTB815708R0800	3,167,670
Tipe 2	2	80	1.4	230	275	1	P	OVR T2-T3 N 80-275 P QS	2CTB803973R1900	642,140
Tipe 2+3	2	20	1.4	230	275	1+1	P	OVR T2-T3 1N 20-275 P QS	2CTB803972R1200	1,427,250
Tipe 2+3	2	20	1.4	230	275	1+1	P, TS	OVR T2-T3 1N 20-275 P TS QS	2CTB803972R1300	1,556,500
Tipe 2+3	2	20	1.4	230...400	275	3+1	P	OVR T2 3N 20-275 P QS	2CTB803973R1200	2,271,500
Tipe 2+3	2	20	1.4	230...400	275	3+1	P, TS	OVR T2-T3 3N 20-275 P TS QS	2CTB803973R1600	2,478,520
Tipe 2+3	-	15	1.1	230	275	1+1	S	OVR T2-T3 N1 15-275S SL	2CTB804500R0200	811,580

## Gawai Proteksi Tegangan Surja (SPD)

SPD OVR tipe 2 - jenis lain



SPD OVR dengan tegangan kerja maksimal diatas 275 VAC

Fungsi Untuk jaringan listrik yang sangat tidak stabil dimana tegangan operasinya sering mengalami naik turun, maka direkomendasikan menggunakan SPD dengan tegangan maksimum melebihi tegangan standar, hal ini untuk mengantisipasi ambiguitas antara tegangan surja dengan tegangan yang tidak stabil.

Tipe	Impulse current imp (kA)	Impulse current Imax (kA)	Protection level Up (kV)	Voltage Un (V)	Max. voltage Uc (V)	Poles	Feature	Tipe	No. Ref	Harga IDR
Tipe 2	-	15	1	277 ± 15%	320	1	P	OVR T2 15-320 P U	2CTB802341R0400	647,350
Tipe 2	-	15	1.2	277 ± 15%	320	1+1	P	OVR T2 1N 15-320 P U	2CTB802342R0400	1,494,350
Tipe 2	-	15	1	277 ± 15%	320	3	P	OVR T2 3L 15-320 P U	2CTB802345R0400	1,766,600
Tipe 2	-	15	1.2	277 ± 15%	320	3+1	P	OVR T2 3N 15-320 P U	2CTB802346R0400	2,359,500
Tipe 2	2	40	1.8	400	440	1	TS, P	OVR T2 40-440 P TS QS	2CTB803871R0500	2,553,705
Tipe 2	2	40	1.9	400...690	440	1+1	TS, P	OVR T2 1N 40-440 P TS QS	2CTB803972R1400	2,653,167
Tipe 2	2	40	1.8	400...690	440	3	TS, P	OVR T2 3L 40-440 P TS QS	2CTB803873R2700	2,994,750
Tipe 2	2	40	1.9	400...690	440	3+1	TS, P	OVR T2 3N 40-440 P TS QS	2CTB803973R1500	3,372,875
Tipe 2	6.25	80	1.8	400	440	1	S, TS, P	OVR T2 80-440s P TS QS	2CTB815708R2900	3,263,854
Tipe 2	6.25	80	1.8	400...690	440	3	S, TS, P	OVR T2 3L 80-440s P TS QS	2CTB815708R3500	4,083,750
Tipe 2	6.25	80	1.8	400...690	440	3+1	S, TS, P	OVR T2 3N 80-440s P TS QS	2CTB815708R3700	4,470,587
Tipe 2	6.25	80	2	400	440	1	S, P	OVR T2 N 80-440s P QS	2CTB815708R5400	1,755,347

### Macam - macam cartridge untuk SPD tipe 2

Tipe	Impulse current imp (kA)	Impulse current Imax (kA)	Protection level Up (kV)	Voltage Un (V)	Max. voltage Uc (V)	Poles	Feature	Tipe	No. Ref	Harga IDR
Tipe 2	2	20	1.4	230	275	1		OVR T2-T3 20-275 C QS	2CTB803876R1200	476,960
Tipe 2	6.25	40	1.4	230	275	1		OVR T2 40-275s C QS	2CTB815704R2600	331,430
Tipe 2	6.25	80	1.4	230	275	1		OVR T2 N 80-275s C QS	2CTB815708R2800	605,990
Tipe 2+3	2	80	1.4	230	275	1		OVR T2-T3 N 80-275 C QS	2CTB803876R0000	605,990
Tipe 2	6.25	80	1.4	230	275	1		OVR T2 80-275s C QS	2CTB815708R2600	619,300
Tipe 2	6.25	40	1.8	400	440	1		OVR T2 40-440 C QS	2CTB803876R0400	1,222,650
Tipe 2	6.25	40	1.8	400	440	1		OVR T2 40-440s C QS	2CTB815704R5500	1,791,460
Tipe 2	6.25	80	1.8	400	440	1		OVR T2 80-440s C QS	2CTB815708R5500	1,816,980
Tipe 2+3	6.25	80	1.8	400	440	1		OVR T2-T3 N 80-440 C QS	2CTB803886R0100	2,556,070
Tipe 2	6.25	80	1.8	400	440	1		OVR T2 N 80-440s C QS	2CTB815708R5700	1,598,630
Tipe 2		15	1	277 ± 15%	320	1		OVR T2 15-320 C U	2CTB802348R2700	1,069,420

### OVR Plus

Merupakan kombinasi gawai proteksi surja dengan pemutus sirkit miniatur (MCB)

Tipe	Impulse current imp (kA)	Impulse current Imax (kA)	Protection level Up (kV)	Voltage Un (V)	Max. voltage Uc (V)	Poles	Feature	Tipe	No. Ref	Harga IDR
Tipe 2	10	20	1.3	230	275	1+1		OVR Plus N1 20	2CTB803701R0700	1,517,890
Tipe 2	15	40	1.8	230	275	1+1		OVR Plus N1 40	2CTB803701R0100	1,597,750
Tipe 2	10	20	1.3	230/400	275	3+1		OVR Plus N3 20	2CTB803701R0400	2,283,270
Tipe 2	15	40	2.0	230/400	275	3+1		OVR Plus N3 40	2CTB803701R0300	2,505,250

## Gawai Proteksi Tegangan Surja (SPD)

### SPD OVR tipe 2 - jenis lain



Standar

IEC 61643-11 / EN 61643-11

Fungsi

SPD OVR tersedia juga untuk instalasi panel surya dimana arus yang bekerja adalah arus searah (DC). Tipe yang tersedia hampir serupa dengan SPD untuk tegangan bolak balik (AC) yaitu tipe 1+2 dan tipe 2 dengan berbagai pilihan tegangan operasional tegangan searah (DC).

Sistem Jaringan

TNS - TT

Aplikasi

Panel surya

Current wave

10/350 untuk Iimp, 8/20 untuk Imax

Tipe	Impulse current imp (kA)	Impulse current I <sub>max</sub> (kA)	Protection level Up (kV)	Voltage Un (V)	Max. voltage Uc (V)	Poles	Feature	Tipe	No. Ref	Harga IDR
Tipe 1+2	5	40	3.8/3.8	1000	1100	1+1	P	OVR PV T1-T2 5-1000 P QS	2CTB812050R1000	8,180,370
Tipe 1+2	5	40	3.8/3.8	1000	1100	1+1	P, TS	OVR PV T1-T2 5-1000 P TS QS	2CTB812051R1000	8,684,940
Tipe 1+2	12.5	40	3.8/3.8	1000	1100	1+1	P	OVR PV T1-T2 12.5-1000 P QS	2CTB812120R1000	10,974,370
Tipe 1+2	12.5	40	3.8/3.8	1000	1100	1+1	P, TS	OVR PV T1-T2 12.5-1000 P TS QS	2CTB812121R1000	11,522,500
Tipe 1+2	5	30	5/5	1500	1500	1+1	P	OVR PV T1-T2 5-1500 P QS	2CTB812050R1500	8,775,910
Tipe 1+2	5	30	5/5	1500	1500	1+1	P, TS	OVR PV T1-T2 5-1500 P TS QS	2CTB812051R1500	9,281,690
Tipe 1+2	10	30	5/5	1500	1500	1+1	P	OVR PV T1-T2 10-1500 P QS	2CTB812100R1500	12,367,300
Tipe 1+2	10	30	5/5	1500	1500	1+1	P, TS	OVR PV T1-T2 10-1500 P TS QS	2CTB812101R1500	13,282,500
Tipe 2		40	2.8/1.4	600	600	1+1	P	OVR PV T2 40-600 P QS	2CTB804153R2800	6,080,250
Tipe 2		40	2.8/1.4	600	600	1+1	P, TS	OVR PV T2 40-600 P TS QS	2CTB804153R2900	6,986,650
Tipe 2		40	3.8	1000	1100	1+1	P	OVR PV T2 40-1000 P QS	2CTB804153R2400	6,266,260
Tipe 2		40	3.8	1000	1100	1+1	P, TS	OVR PV T2 40-1000 P TS QS	2CTB804153R2500	7,237,120
Tipe 2		40	4.5	1500	1500	1+1	P	OVR PV T2 40-1500 P QS	2CTB804153R2600	7,718,480
Tipe 2		40	4.5	1500	1500	1+1	P, TS	OVR PV T2 40-1500 P TS QS	2CTB804153R2700	8,061,240

### Cartridge

Tipe	Impulse current imp (kA)	Impulse current I <sub>max</sub> (kA)	Protection level Up (kV)	Voltage Un (V)	Max. voltage Uc (V)	Poles	Feature	Tipe	No. Ref	Harga IDR
Tipe 2		40	600	600	600			OVR PV T2 40-600 C QS	2CTB804153R3100	2,215,070
Tipe 2		40	-	-	-			OVR PV MC C QS	2CTB804153R3500	2,372,590
Tipe 2		40	1000	1100	1100			OVR PV T2 40-1000 C QS	2CTB804153R3200	2,295,370
Tipe 2		40	1500	1500	1500			OVR PV T2 40-1500 C QS	2CTB804153R3300	3,805,780
Tipe 1+2	5	40	1000	1100	1100			OVR PV T1-T2 5-1000 C QS	2CTB812052R1000	2,303,950
Tipe 1+2	5	30	1500	1500	1500			OVR PV T1-T2 5-1500 C QS	2CTB812052R1500	2,591,930
Tipe 1+2	12.5	40	1000	1100	1100			OVR PV T1-T2 12.5-1000 C QS	2CTB812122R1000	2,879,800
Tipe 1+2	12.5	40	1000	1100	1100			OVR PV T1-T2 12.5-1000 M C QS	2CTB812122R1001	2,879,800
Tipe 1+2	10	30	1500	1500	1500			OVR PV T1-T2 10-1500 C QS	2CTB812102R1500	3,167,670
Tipe 1+2	10	30	1500	1500	1500			OVR PV T1-T2 10-1500 M C QS	2CTB812102R1501	3,167,670

## Komponen dan sistem efisiensi energi

KWH meter tipe rel DIN / EQ meter

- Fitur**
- LCD Display
  - Standard IEC dan MID
  - Tersedia sambungan langsung sampai dengan 80 A
  - Tersedia fungsi alarm dan komunikasi untuk integrasi ke sub sistem lain
  - Mengukur standar kelistrikan (V, I, f) dan parameter kelistrikan lainnya (tabel terlampir)
- Aplikasi**
- Meter transaksi
  - Sistem pengelolaan energi

Type	Active energy	Reactive energy	Apparent Energy	Export / Import	Active Power	Power factor	Alarm	Max and min demand	Harmonics (THD)
C11 110-101	v	-	-	-	v	v	v	-	-
B23 111-100	v	-	-	-	v	v	v	-	-
B21 312-100	v	v	v	v	v	v	v	-	-
B23 312-100	v	v	v	v	v	v	v	-	-
A43 512-100	v	v	v	v	v	v	v	v	v
B24 353-100	v	v	v	v	v	v	v	-	-
B24 352-100	v	v	v	v	v	v	v	-	-
A44 452-100	v	v	v	v	v	v	v	v	-

Type	Measurement	Phases	Energy Accuracy	I/O	Multi Tariff	Int Clock	Module Din	Comm	Digit display
C11 110-101	Direct (up 40A)	1 Phase	1	Pulse Output	-	-	1	-	6
B23 111-100	Direct (up 65A)	3 Phase	1	Pulse Output	-	-	4	-	7
B21 312-100	Direct (up 65A)	1 Phase	1	2 In, 2 Out	4	-	2	Modbus RS485	6
B23 312-100	Direct (up 65A)	3 Phase	1	2 In, 2 Out	4	-	4	Modbus RS485	7
A43 512-100	Direct (up 80A)	3 Phase	1	4 I/O	4	Yes	7	Modbus RS485	7
B24 353-100	CT	3 Phase	0.5s	2 In, 2 Out	4	-	4	M-Bus	7
B24 352-100	CT	3 Phase	0.5s	2 In, 2 Out	4	-	4	Modbus RS485	7
A44 452-100	CTVT	3 Phase	0.5s	2 In, 2 Out	4	Yes	7	Modbus RS485	7



Type	No. Ref	Harga IDR
C11 110-101	2CMA103571R1000	1,762,200
B23 111-100	2CMA100163R1000	4,273,500
B21 312-100	2CMA100155R1000	3,415,500
B23 312-100	2CMA100169R1000	5,935,600
A43 512-100	2CMA170531R1000	6,338,750
B24 353-100	2CMA100184R1000	4,460,500
B24 352-100	2CMA100183R1000	4,460,500
A44 452-100	2CMA170540R1000	6,448,750

## Komponen dan sistem efisiensi energi

### Instrumen meter untuk panel



- Fitur**
- LED & LCD Display
  - Tersedia fungsi alarm dan komunikasi untuk integrasi ke sub sistem lain
  - Mengukur standar kelistrikan (V, I, f) dan parameter kelistrikan lainnya (tabel terlampir)
  - Tersedia tipe dengan rogowski koil dimana penggunaan rogowski koil lebih fleksibel dibandingkan dengan tradisional CT terutama untuk tipe panel eksisting
  - Untuk kelengkapan fitur lainnya bisa diakses di internet atau via kontak ABB terkait

- Aplikasi**
- Sistem pengelolaan energi
  - Berbagai macam pilihan dan harga sesuai dengan kebutuhan dan aplikasi dilapangan dapat digunakan di rumah sakit, industri bangunan komersil serta fasilitas-fasilitas lainnya

Type	Tegangan	Arus	Frequency	Daya Aktif	Daya Reaktif	Energi Aktif	Energi Reaktif	Sampling Rate	Power Factor
M1M 10	1	1	v	-	-	1	-	64	-
M1M 12	1	1	v	1	-	1	-	64	v
M1M 15	0.5	0.5	v	1	2	1	2	128	v
M1M 20	0.5	0.5	v	1	2	1	2	128	v
M1M 30	0.5	0.5	v	1	2	1	2	128	v
M4M 20	0.2s	0.2s	v	0.5	2	0.5s	2s	128	v
M4M 30	0.2s	0.2s	v	0.5	1	0.5s	2s	128	v

Type	Comm	THD	Memory	I/O	Multi Tariff	Wave-form	Ind Har-monics	No. Ref	Harga IDR
M1M 10	-	-	-	-	-	-	-	1SYG235081R4051	1,740,750
M1M 12	-	-	-	-	-	-	-	1SYG207591R4051	2,301,750
M1M 12 Modbus	Modbus RS485	-	-	-	-	-	-	1SYG207581R4051	3,619,000
M1M 15	-	-	-	-	-	-	-	2TAZ661010R2000	3,213,100
M1M 15 Modbus	Modbus RS485	-	-	-	-	-	-	2TAZ661012R2000	3,895,100
M1M 20	-	v	-	-	-	-	-	2TAZ662010R2000	4,562,800
M1M 20 Modbus	Modbus RS485	v	-	-	-	-	-	2TAZ662012R2000	5,069,900
M1M 20 Ethernet	Modbus TCP/IP	v	-	-	-	-	-	2TAZ662014R2000	6,524,100
M1M 20 I/O	Modbus RS485	v	-	2DI, 2DO	-	-	-	2TAZ662012R2001	6,777,100
M1M 30 Modbus	Modbus RS485	v	1 MB	2DO	-	-	40th	2TAZ663012R2000	7,624,100
M1M 30 Ethernet	Modbus TCP/IP	v	1 MB	2DO	-	-	40th	2TAZ663014R2000	8,548,100
M1M 30 I/O	Modbus RS485	v	1 MB	2DI, 2DO	-	-	40th	2TAZ663012R2001	8,730,700
M4M 20	-	v	-	2DO	-	-	-	2CSG251151R4051	6,820,000
M4M 20 Modbus	Modbus RS485	v	-	2DO	-	-	-	2CSG251141R4051	6,930,000
M4M 20 Ethernet	Modbus TCP/IP	v	-	2DO	-	-	-	2CSG204471R4051	9,240,000
M4M 20 Profibus	Profibus DP-V0	v	-	2DO	-	-	-	2CSG251131R4051	11,550,000
M4M 20 BACnet	BACnet/IP	v	-	2DO	-	-	-	2CSG236831R4051	11,550,000
M4M 20 I/O	Modbus RS485	v	-	2 Prog I/O, 2DO, 2AO	-	-	-	2CSG251161R4051	11,550,000
M4M 20 Rogowski	Modbus RS485	v	-	2DO	-	-	-	2CSG207081R4051	11,550,000
M4M 30 Modbus	Modbus RS485	v	32 MB	4 Prog I/O	6	v	40th	2CSG274761R4051	9,240,000
M4M 30 Ethernet	Modbus TCP/IP	v	32 MB	4 Prog I/O	6	v	40th	2CSG274681R4051	15,675,000
M4M 30 Profibus	Profibus DP-V0	v	32 MB	4 Prog I/O	6	v	40th	2CSG236791R4051	16,225,000
M4M 30 BACnet	BACnet/IP	v	32 MB	4 Prog I/O	6	v	40th	2CSG202451R4051	16,225,000
M4M 30 I/O	Modbus RS485	v	32 MB	6 Prog I/O, 2AO	6	v	40th	2CSG202471R4051	16,225,000
M4M 30 Rogowski	Modbus RS485	v	32 MB	4 Prog I/O	6	v	40th	2CSG202461R4051	16,225,000



## Komponen dan sistem efisiensi energi

### Current transformer tipe solid core

- Fitur**
- Arus sekunder 5A
  - Indeks Proteksi IP30
  - Safety factor (sf) dari  $\leq 2$  ke  $\leq 10$  tergantung tipe dan kapasitas
  - Sesuai dengan standar IEC EN 60044-1, IEC EN 61010-1
- Aplikasi**
- Sistem metering
  - Sistem pengelolaan energi



Tipe	Ratio	Ukuran kabel (mm)	Ukuran Busbar	No. Ref	Harga IDR
CTPROXT40	40/5	18	20x10	2CSG225745R1101	390,500
CTPROXT50	50/5	18	20x10	2CSG225755R1101	390,500
CTPROXT80	80/5	18	20x10	2CSG225775R1101	390,500
CTPROXT100	100/5	18	20x10	2CSG225785R1101	390,500
CTPROXT150	150/5	18	20x10	2CSG225795R1101	412,500
CTPROXT200	200/5	18	20x10	2CSG225805R1101	412,500
CTPROXT250	250/5	18	20x10	2CSG225815R1101	412,500
CTPROXT300	300/5	18	20x10	2CSG225825R1101	489,500
CTPROXT400	400/5	18	20x10	2CSG225835R1101	533,500
CTMAX500	500/5	30	30x15	2CSG225965R1101	618,750
CTMAX600	600/5	30	30x15	2CSG225975R1101	618,750
CTMAX800	800/5	30	30x15	2CSG225985R1101	841,500
CTMAX1000	1000/5	30	30x15	2CSG225995R1101	1,033,450
CT6/1200	1200/5	50	60x20	2CSG421200R1101	1,033,450
CT6/1500	1500/5	50	60x20	2CSG421220R1101	1,120,350
CT6/2000	2000/5	50	60x20	2CSG421230R1101	1,694,000
CT6/2500	2500/5	50	60x20	2CSG421240R1101	1,941,500
CT12/3000	3000/5	2x50	125x50	2CSG721250R1101	2,117,500
CT12/4000	4000/5	2x50	125x50	2CSG721260R1101	2,194,500
CT12/5000	5000/5	-	120x10, 2x120x10, 3x120x10	2CSG721270R1101	10,065,000
CT12/6000	6000/5	-	120x10, 2x120x10, 3x120x10	2CSG721280R1101	18,425,000

## Komponen dan sistem efisiensi energi

### Current transformer tipe split core dan rogowski koil

- Fitur**
- Arus sekunder 5A
  - Safety factor (sf) dari  $\leq 2$  ke  $\leq 10$  tergantung tipe dan kapasitas
  - Sesuai dengan standar IEC EN 60044-1, IEC EN 61010-1
  - Rogowski koil hanya untuk power meter M4M tipe rogowski
- Aplikasi**
- Sistem metering
  - Sistem pengelolaan energi

#### CT Split Core

Tipe	Ratio	Ukuran dimensi unit (d x l x w, mm)	No. Ref	Harga IDR
CT30/100	100/5	3 x 80 x 10	2CSG101100R1101	695,752
CT30/150	150/5	3 x 80 x 10	2CSG101110R1101	695,752
CT30/250	250/5	3 x 80 x 10	2CSG101130R1101	695,752
CT30/400	400/5	3 x 80 x 10	2CSG101150R1101	695,752
CT80/500	500/5	3 x 80 x 10	2CSG201160R1101	761,165
CT80/600	600/5	3 x 80 x 10	2CSG201170R1101	761,165
CT80/1000	1000/5	3 x 80 x 10	2CSG201190R1101	989,118
CT120/1200	1200/5	4 x 120 x 10	2CSG401200R1101	1,516,383
CT120/1500	1500/5	4 x 120 x 10	2CSG401220R1101	1,516,383

#### Rogowski Koil

Tipe	Diameter (mm)	Maksimum arus ukur (A)	No. Ref	Harga IDR
R4M-80	80	10000	2CSG202160R1101	4,977,500
R4M-200	200	10000	2CSG202150R1101	7,260,000



## Komponen dan sistem efisiensi energi

### Sistem monitoring sirkit CMS

- Fitur**
- Mengukur arus distribusi akhir pada tingkat pemutus sirkit mini (MCB)
  - Tersedia berbagai macam pilihan sensor
  - Tersedia berbagai macam kontrol unit
  - Sesuai dengan standar IEC EN 61010-1
- Aplikasi**
- Sistem metering
  - Sistem pengelolaan energi

#### Kontrol unit

Type	AC/DC	Kapasitas sensor	Komunikasi dan layanan tatap muka	No. Ref	Harga IDR
CMS-600	AC/DC	64	Modbus RS485 with touch display	2CCA880000R0001	10,202,500
CMS-700	AC/DC	96	Modbus RS485, Modbus TCP, built in web server	2CCA880700R0001	17,325,000
CMS-660	DC (PV)	32	Modbus RS485	2CCA880020R0001	7,645,000

#### Sensor unit

Type	Core	Amp (A)	Ø (mm)	Mounting	MCB	No. Ref	Harga IDR
CMS-120DR	Open	80	18	Dinrail	Umum	2CCA880240R0001	1,595,000
CMS-121DR	Open	40	18	Dinrail	Umum	2CCA880241R0001	1,595,000
CMS-120CA	Open	80	18	Cable tie	Umum	2CCA880220R0001	1,595,000
CMS-121CA	Open	40	18	Cable tie	Umum	2CCA880221R0001	1,595,000
CMS-120PS	Open	80	18	Direct	ABB	2CCA880210R0001	1,545,500
CMS-121PS	Open	40	18	Direct	ABB	2CCA880211R0001	1,545,500
CMS-100DR	Solid	80	18	Dinrail	Umum	2CCA880128R0001	1,592,250
CMS-101DR	Solid	40	18	Dinrail	Umum	2CCA880129R0001	1,592,250
CMS-100CA	Solid	80	18	Cable tie	Umum	2CCA880107R0001	1,592,250
CMS-101CA	Solid	40	18	Cable tie	Umum	2CCA880108R0001	1,592,250
CMS-100PS	Solid	80	18	Direct	ABB	2CCA880100R0001	1,578,500
CMS-101PS	Solid	40	18	Direct	ABB	2CCA880101R0001	1,578,500
CMS-200DR	Solid	160	25	Dinrail	Umum	2CCA880132R0001	2,502,500
CMS-201DR	Solid	80	25	Dinrail	Umum	2CCA880133R0001	2,502,500
CMS-200CA	Solid	160	25	Cable tie	Umum	2CCA880117R0001	2,502,500
CMS-201CA	Solid	80	25	Cable tie	Umum	2CCA880118R0001	2,502,500

#### Aksesoris

Type	Deskripsi	No. Ref	Harga IDR
CMS-800	Kabel koneksi sensor ke kontrol unit panjang 2m	2CCA880148R0001	275,000
CMS-802	Kabel koneksi sensor ke kontrol unit panjang 5m	2CCA880331R0001	385,000
CMS-803	Kabel koneksi sensor ke kontrol unit panjang 10m	2CCA880332R0001	797,500
CMS-805	Kabel koneksi sensor ke kontrol unit panjang 30m	2CCA880333R0001	3,025,000
CMS-820	Konektor kabel per 35 buah	2CCA880145R0001	976,250



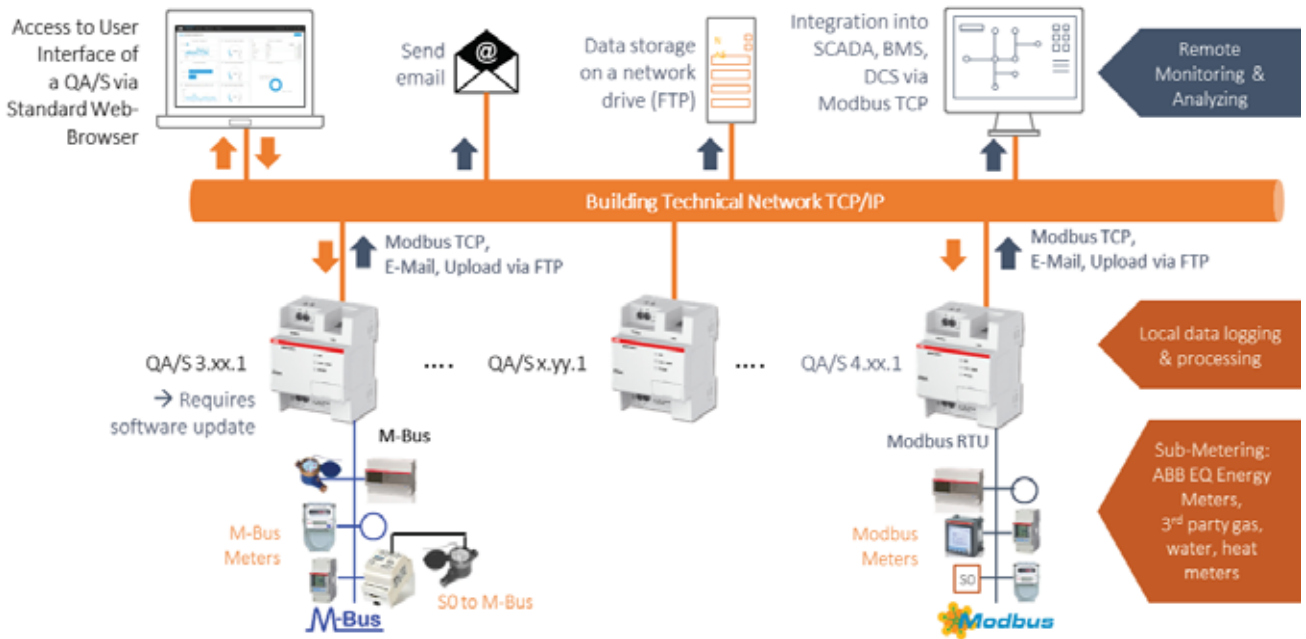
## Komponen dan sistem efisiensi energi

### Sistem monitoring EQ Analyzer

- Fitur**
- Berfungsi sebagai web server untuk meter (kwh dan power meter)
  - Tersedia 2 pilihan protokol komunikasi
  - Tersedia pilihan kapasitas channel unit
- Aplikasi**
- Sistem metering
  - Sistem pengelolaan energi

**Sensor unit**

Type	Deskripsi	Protokol	Kapasitas	No. Ref	Harga IDR
QA/S3.16.1	Energy analyze web server	M-bus	16	2CDG110226R0011	13,695,000
QA/S3.64.1	Energy analyze web server	M-bus	64	2CDG110227R0011	23,650,000
QA/S4.16.1	Energy analyze web server	Modbus	16	2CDG110228R0011	13,695,000
QA/S4.64.1	Energy analyze web server	Modbus	64	2CDG110229R0011	23,650,000



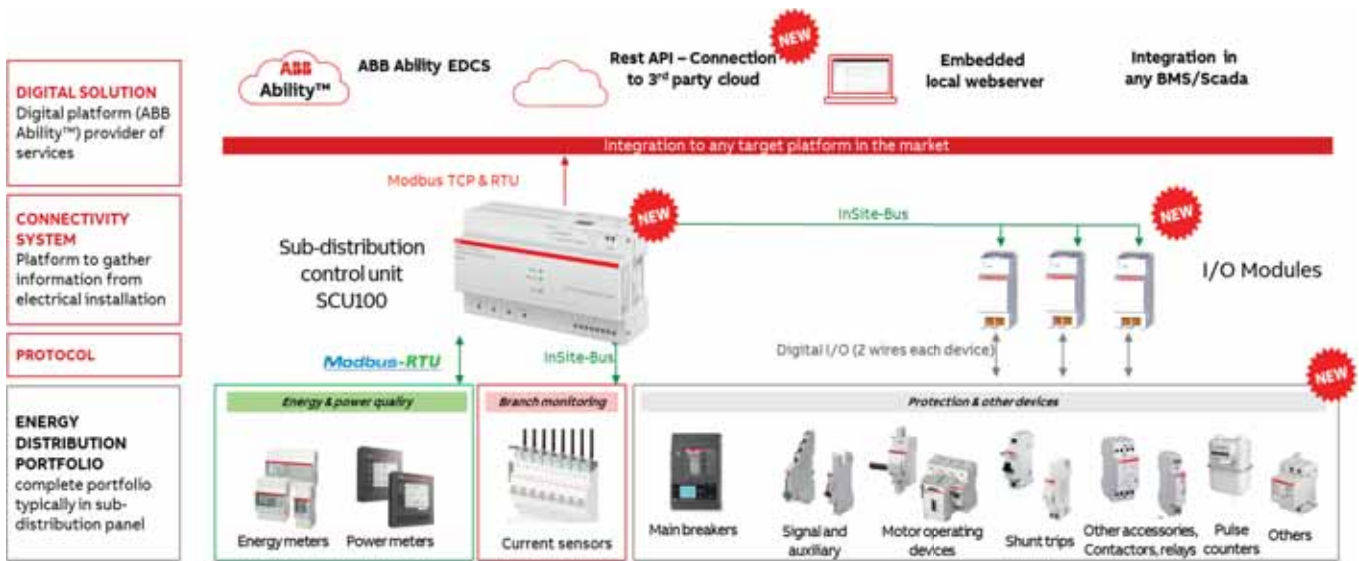
## Komponen dan sistem efisiensi energi

### Sistem pro M compact® InSite

Sistem pro M compact® InSite merupakan sebuah sistem monitoring dan kontrol ABB terbaru untuk panel panel sub-distribution unit. Fungsi utama dari sistem ini adalah sebagai master untuk meter yang ada dibawahnya via modbus RTU (fungsi EQ analyzer), monitoring arus sirkit (fungsi CMS) dan fungsi untuk kontrol on/off sirkit pemutus.

Sistem pro M compact® InSite terdiri dari beberapa komponen penyusun:

1. Kontrol unit
2. Digital modul
3. Aksesoris





# Produk Kontrol dan Proteksi Motor

## ABB Low Voltage Products

### Indeks

#### Tabel Koordinasi

Tabel Koordinasi starter Direct On Line (DOL) Tipe 1 (Performa Standar) .....	120
Tabel Koordinasi starter Direct On Line (DOL) Tipe 2 (Performa Tinggi) .....	121
Diagram Star Delta .....	123
Tabel Koordinasi starter Star Delta (S/D) Tipe 2 (Performa Tinggi) .....	124

#### Manual Motor Starter

Manual Motor Starter/Motor Circuit Breaker - MS116 - 0.1A hingga 32A, proteksi beban lebih dan magnetis hingga 50kA .....	126
Manual Motor Starter/Motor Circuit Breaker MS132 - 0.1A hingga 32A, proteksi beban lebih dan magnetis hingga 100kA .....	
MS165 - 10A hingga 80A, proteksi beban lebih dan magnetis hingga 100kA .....	127
Manual Motor Starter - MMS - MO 132/165 - Proteksi magnetis saja .....	128
Manual Motor Starter - Aksesori MMS - MS116/MS132/MS165/MO132/MO165 .....	129
Manual Motor Starter - Aksesori MMS - MS 116/ MS 132 .....	130
Enclosed Motor Starter - DRAS 9A hingga 16A .....	131

#### Kontaktor

Kontaktor Instalasi - ESB - Tabel Beban Lampu .....	132
ESB Kontaktor Instalasi - ESB - 16A hingga 100A, Tegangan koil AC/DC .....	133
ESB Kontaktor Instalasi - ESB - 16A hingga 100A, Tegangan koil AC/DC .....	134
Kontaktor 3 Kutub - B - Kontaktor mini, tegangan koil AC & DC .....	135
Kontaktor 3 kutub - AX - 9A hingga 370A, tegangan koil AC .....	136
Teknologi kontaktor AF - AF kontaktor untuk start motor dan power switching hingga 2850 A .....	137
Kontaktor 3 Kutub - AF - 9A hingga 1650A, tegangan koil AC/DC .....	140
Kontaktor 4 Kutub - B - Kontaktor mini, tegangan koil AC & DC .....	141
Kontaktor 4 Kutub - AF - 9A hingga 2650A, tegangan koil AC/DC .....	142
Panduan aksesoris kontaktor AX .....	143
Aksesoris Kontaktor - Aksesoris Kontaktor B dan AX .....	145
Aksesoris Kontaktor - Aksesoris Kontaktor AF .....	147
Relai Kontaktor 4 Kutub - K - Tegangan koil AC & DC .....	150
Relai Kontaktor 4 Kutub - NF - Tegangan koil AC/DC .....	151
Kontaktor untuk Capacitor Switching - UA... , arus puncak I < 100 kali arus rms .....	152
Kontaktor 3 kutub untuk Capacitor Switching - Tipe UA... , arus puncak I < 100 kali arus rms (Normal Duty) .....	153
Kontaktor untuk Capacitor Switching - UA16..RA to UA110..RA, arus puncak I > 100 kali arus rms .....	154
Kontaktor 3 kutub untuk Capacitor Switching - Tipe UA...-RA , arus puncak I > 100 kali arus rms (Heavy Duty) .....	155

#### Overload Relay

Relai Beban Lebih - T16 - 0.1A hingga 16A untuk kontaktor B .....	156
Relai Beban Lebih - TA - 0.1A hingga 200A untuk kontaktor AX .....	157
Relai Beban Lebih - TF - 0.1A hingga 142A untuk kontaktor AF .....	158
Relai Beban Lebih - EF - Elektronik relai 0.1A hingga 1250A untuk kontaktor AX & AF .....	159
Relai Beban Lebih - Aksesori Relai Beban Lebih T16, TA, TF dan EF .....	160

#### Softstarter

Softstarter - ABB Softstarter - Range lengkap .....	161
Softstarter PSR - The compact range, Normal starts, class 10, in-line .....	163
Softstarter PSE- The efficient range, Normal starts, class 10, in-line .....	164
Softstarter PSTX - The advanced range, Normal starts, class 10, in-line .....	165
Universal Motor Controller - UMC100.3 Universal Motor Controller .....	167

#### Pilot Devices

Pilot Devices, 22 mm .....	168
Pilot Devices - Modular range .....	169
Holder & Kontak Blok .....	170
Pilot Devices - Compact range .....	171

## Tabel Koordinasi starter Direct On Line (DOL) Tipe 1 (Performa Standar)

Tabel asosiasi 2 komponen

SCPD : MMS  
Short-Circuit Current : 50kA  
Coordination type : IEC Type 1

Rated voltage : 400VAC  
Starting type : DOL-NS  
Overload relay : Embedded  
Motor Efficiency Class : IE1/IE2/IE3 N/H

Motor		MMS			Contactor	Max allowed load current [A]
Rated Power [kW]	Rated Current (FLA) [A]	Type	Inst.Trip. Current [A]	Current range [A]	Type	
0.06	0.20	<b>MS116-0.25</b>	3.13	0.16 - 0.25	<b>B7</b>	0.25
0.09	0.30	<b>MS116-0.4</b>	5.00	0.25 - 0.40	<b>B7</b>	0.40
0.12	0.44	<b>MS116-0.63</b>	7.88	0.40 - 0.63	<b>B7</b>	0.63
0.18	0.60	<b>MS116-0.63</b>	7.88	0.40 - 0.63	<b>B7</b>	0.63
0.25	0.85	<b>MS116-1.0</b>	12.50	0.63 - 1.00	<b>B7</b>	1.00
0.37	1.10	<b>MS116-1.6</b>	20.00	1.00 - 1.60	<b>B7</b>	1.60
0.55	1.50	<b>MS116-1.6</b>	20.00	1.00 - 1.60	<b>B7</b>	1.60
0.75	1.90	<b>MS116-2.5</b>	31.25	1.60 - 2.50	<b>B7</b>	2.50
1.1	2.70	<b>MS116-4.0</b>	50.00	2.50 - 4.00	<b>B7</b>	3.50
1.5	3.60	<b>MS116-4.0</b>	50.00	2.50 - 4.00	<b>B7</b>	3.50
2.2	4.90	<b>MS116-6.3</b>	78.75	4.00 - 6.30	<b>B7</b>	5.50
3	6.50	<b>MS116-10</b>	150.00	6.30 - 10.00	<b>B7</b>	9.00
4	8.50	<b>MS116-10</b>	150.00	6.30 - 10.00	<b>B7</b>	9.00
5.5	11.50	<b>MS116-12</b>	180.00	8.00 - 12.00	<b>B7</b>	11.50

## Tabel Koordinasi starter Direct On Line (DOL) Tipe 1 (Performa Standar)

Tabel asosiasi 3 komponen

SCPD : MMS  
Short-Circuit Current : 50kA  
Coordination type : IEC Type 1

Rated voltage : 400VAC  
Starting type : DOL-NS  
Overload relay : Thermal Overload Relay  
Motor Efficiency Class : IE1/IE2/IE3 N/H

Motor		MMS		Contactor	Overload Relay		Max allowed load current [A]"	
Rated Power [kW]	Rated Current (FLA) [A]	Type	Inst.Trip. Current [A]	Type	Type	Trip Class	Current range [A]	
0.06	0.20	<b>MO132-0.25</b>	3.13	<b>B7</b>	<b>T16-0.23</b>	10	0.17 - 0.23	0.23
0.09	0.30	<b>MO132-0.40</b>	5.00	<b>B7</b>	<b>T16-0.31</b>	10	0.23 - 0.31	0.31
0.12	0.44	<b>MO132-0.63</b>	7.88	<b>B7</b>	<b>T16-0.55</b>	10	0.41 - 0.55	0.55
0.18	0.60	<b>MO132-0.63</b>	7.88	<b>B7</b>	<b>T16-0.74</b>	10	0.55 - 0.74	0.63
0.25	0.85	<b>MO132-1</b>	12.50	<b>B7</b>	<b>T16-1.0</b>	10	0.74 - 1.00	1.00
0.37	1.10	<b>MO132-1.6</b>	20.00	<b>B7</b>	<b>T16-1.3</b>	10	1.00 - 1.30	1.30
0.55	1.50	<b>MO132-1.6</b>	20.00	<b>B7</b>	<b>T16-1.7</b>	10	1.30 - 1.70	1.60
0.75	1.90	<b>MO132-2.5</b>	31.25	<b>B7</b>	<b>T16-2.3</b>	10	1.70 - 2.30	2.30
1.1	2.70	<b>MO132-4</b>	50.00	<b>B7</b>	<b>T16-3.1</b>	10	2.30 - 3.10	3.10
1.5	3.60	<b>MO132-4</b>	50.00	<b>B7</b>	<b>T16-4.2</b>	10	3.10 - 4.20	4.20
2.2	4.90	<b>MO132-6.3</b>	78.75	<b>B7</b>	<b>T16-5.7</b>	10	4.20 - 5.70	5.70
3	6.50	<b>MO132-10</b>	125.00	<b>B7</b>	<b>T16-7.6</b>	10	5.70 - 7.60	7.60
4	8.50	<b>MO132-10</b>	125.00	<b>B7</b>	<b>T16-10</b>	10	7.60 - 10.0	10.00
5.5	11.50	<b>MO132-12</b>	150.00	<b>B7</b>	<b>T16-13</b>	10	10.0 - 13.0	11.50

Tabel koordinasi untuk variasi kontaktor tipe AF dapat lihat pada link berikut :

<https://applications.it.abb.com/SOC/Motor>



### Tabel Koordinasi starter Direct On Line (DOL) Tipe 2 (Performa Tinggi)

Tabel asosiasi 2 komponen

SCPD : MMS  
 Short-Circuit Current : 50kA  
 Coordination type : IEC Type 2

Rated voltage : 380VAC  
 Starting type : DOL-NS  
 Overload relay : Embedded  
 Motor Efficiency Class : IE1/IE2/IE3 N/H

Motor		MMS			Contactor	Max allowed load current [A]
Rated Power [kW]	Rated Current (FLA) [A]	Type	Inst.Trip. Current [A]	Current range [A]	Type	
0.06	0.21	<b>MS116-0.25</b>	3.13	0.16 - 0.25	<b>AX09</b>	0.25
0.09	0.32	<b>MS116-0.4</b>	5.00	0.25 - 0.40	<b>AX09</b>	0.40
0.12	0.46	<b>MS116-0.63</b>	7.88	0.40 - 0.63	<b>AX09</b>	0.63
0.18	0.63	<b>MS116-0.63</b>	7.88	0.40 - 0.63	<b>AX09</b>	0.63
0.18	0.63	<b>MS116-1.0</b>	12.50	0.63 - 1.00	<b>AX09</b>	1.00
0.25	0.90	<b>MS116-1.0</b>	12.50	0.63 - 1.00	<b>AX09</b>	1.00
0.37	1.20	<b>MS116-1.6</b>	20.00	1.00 - 1.60	<b>AX09</b>	1.60
0.55	1.60	<b>MS116-1.6</b>	20.00	1.00 - 1.60	<b>AX09</b>	1.60
0.55	1.60	<b>MS116-2.5</b>	31.25	1.60 - 2.50	<b>AX09</b>	2.50
0.75	2.00	<b>MS116-2.5</b>	31.25	1.60 - 2.50	<b>AX09</b>	2.50
1.1	2.80	<b>MS116-4.0</b>	50.00	2.50 - 4.00	<b>AX18</b>	4.00
1.5	3.80	<b>MS116-4.0</b>	50.00	2.50 - 4.00	<b>AX18</b>	4.00
2.2	5.20	<b>MS116-6.3</b>	78.75	4.00 - 6.30	<b>AX18</b>	6.30
3	6.80	<b>MS116-10</b>	150.00	6.30 - 10.00	<b>AX32</b>	10.00
4	8.90	<b>MS116-10</b>	150.00	6.30 - 10.00	<b>AX32</b>	10.00
5.5	12.00	<b>MS116-12</b>	180.00	8.00 - 12.00	<b>AX32</b>	12.00
7.5	16.30	<b>MS132-20</b>	300.00	16.00 - 20.00	<b>AX32</b>	20.00
9	19.60	<b>MS132-20</b>	300.00	16.00 - 20.00	<b>AX32</b>	20.00
11	23.20	<b>MS132-25</b>	375.00	20.00 - 25.00	<b>AX32</b>	25.00
15	30.50	<b>MS165-32</b>	480.00	23.00 - 32.00	<b>AX40</b>	32.00
18.5	36.80	<b>MS165-42</b>	630.00	30.00 - 42.00	<b>AX50</b>	40.00
22	43.20	<b>MS165-54</b>	810.00	40.00 - 54.00	<b>AX50</b>	53.00
25	49.10	<b>MS165-54</b>	810.00	40.00 - 54.00	<b>AX50</b>	53.00
30	57.90	<b>MS165-65</b>	975.00	52.00 - 65.00	<b>AX65</b>	60.00
37	69.00	<b>MS165-73</b>	1022.00	62.00 - 73.00	<b>AX80</b>	69.00



## Tabel Koordinasi starter Direct On Line (DOL) Tipe 2 (Performa Tinggi)

Tabel asosiasi 3 komponen

SCPD : MMS&MCCB

Short-Circuit Current : 50kA

Coordination type : IEC Type 2

Rated voltage : 380/400VAC

Starting type : DOL-NS

Overload relay : Thermal Overload Relay

Motor Efficiency Class : IE1/IE2/IE3 N/H

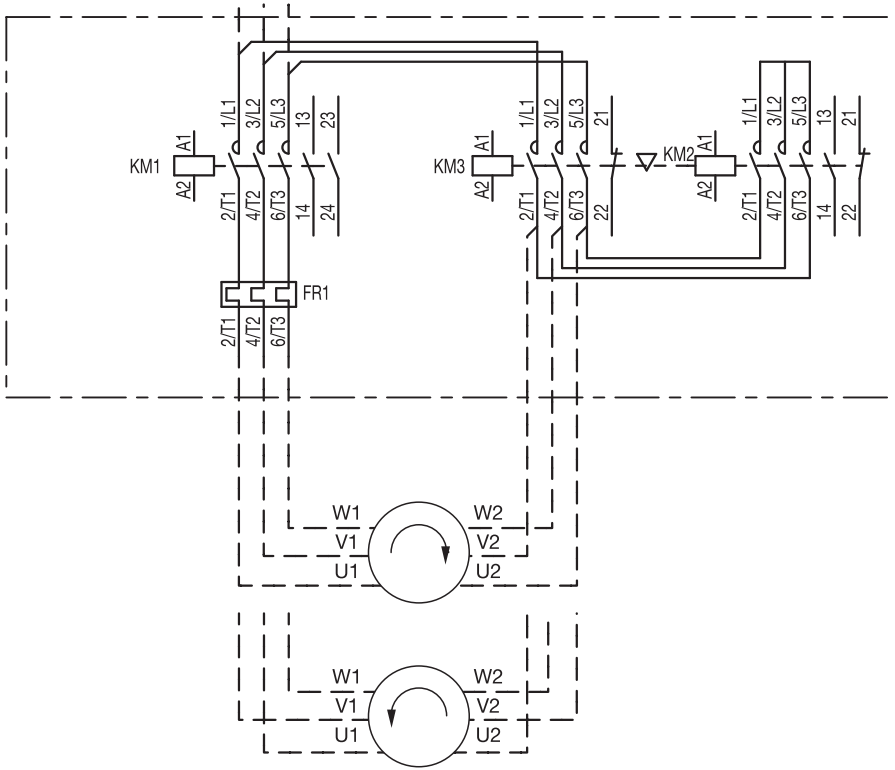
Motor		MMS & MCCB		Contactor	Overload Relay	Max allowed load current [A]	
Rated Power [kW]	Rated Current (FLA) [A]	Type	Inst.Trip. Current [A]	Type	Type		Current range [A]
0.06	0.21	MO132-0.25	3.13	AX09	TA25DU-0.25M	0.16 - 0.25	0.25
0.09	0.32	MO132-0.40	5.00	AX09	TA25DU-0.4M	0.25 - 0.40	0.40
0.12	0.46	MO132-0.63	7.88	AX09	TA25DU-0.63M	0.40 - 0.63	0.60
0.18	0.63	MO132-0.63	7.88	AX09	TA25DU-0.63M	0.40 - 0.63	0.60
0.18	0.63	MO132-1.0	12.50	AX09	TA25DU-1.0M	0.63 - 1.00	1.00
0.25	0.90	MO132-1.0	12.50	AX09	TA25DU-1.0M	0.63 - 1.00	1.00
0.37	1.20	MO132-1.6	20.00	AX09	TA25DU-1.4M	1.00 - 1.40	1.40
0.55	1.60	MO132-1.6	20.00	AX09	TA25DU-1.8M	1.30 - 1.80	1.80
0.75	2.00	MO132-2.5	31.25	AX09	TA25DU-2.4M	1.70 - 2.40	2.40
1.1	2.80	MO132-4.0	50.00	AX09	TA25DU-3.1M	2.30 - 3.10	3.00
1.5	3.80	MO132-4.0	50.00	AX12	TA25DU-4.0M	2.80 - 4.00	4.00
2.2	5.20	MO132-6.3	78.75	AX25	TA25DU-6.5M	4.50 - 6.50	6.00
3	6.80	MO132-10	125.00	AX25	TA25DU-8.5M	6.00 - 8.50	8.50
4	8.90	MO132-10	125.00	AX25	TA25DU-11M	7.50 - 11.00	10.00
5.5	12.10	MO132-16	200.00	AX25	TA25DU-14M	10 - 14	14.00
7.5	16.30	MO132-20	250.00	AX25	TA25DU-19M	13 - 19	19.00
9	19.60	MO132-20	250.00	AX25	TA25DU-19M	13 - 19	20.00
11	23.20	MO132-25	313.00	AX32	TA25DU-25M	18 - 25	25.00
15	30.50	MO132-32	400.00	AX32	TA25DU-32M	22 - 32	32.00
18.5	36.80	MO165-42	630.00	AX50	TA75DU-42M	29 - 42	40.00
22	43.20	MO165-54	810.00	AX50	TA75DU-52M	36 - 52	50.00
25	49.10	MO165-54	810.00	AX50	TA75DU-52M	36 - 52	50.00
30	57.90	MO165-65	975.00	AX65	TA75DU-63M	45 - 63	61.50
37	69.00	MO165-73	1022.00	AX80	TA75DU-80M	60 - 80	70.00
45	80.00	XT2S 160 MA 100	1200.00	AX95	TA110DU-90	65 - 90	80.00
55	97.00	XT4S 250 MA 200	1600.00	AX115	TA110DU-110	80 - 110	97.00
75	132.00	XT4S 250 MA 200	1920.00	AX150	TA200DU-150	110 - 150	132.00
90	160.00	XT4S 250 MA 200	2250.00	AX185	TA200DU-175	130 - 175	160.00
110	195.00	T4S 320 PR221-I In 320	2720.00	AX205	TA200DU-200	150 - 200	195.00
132	230.00	T5S 400 PR221-I In 400	3200.00	AX260	EF370-380	115 - 380	230.00
160	280.00	T5S 400 PR221-I In 400	4000.00	AX300	EF370-380	115 - 380	280.00
200	350.00	T5S 630 PR221-I In 630	5040.00	AX370	EF370-380	115 - 380	350.00
200	350.00	T6S 630 PR221-I In 630	5040.00	AX370	EF370-380	115 - 380	370.00

Tabel koordinasi untuk variasi kontaktor tipe AF dapat lihat pada link berikut :

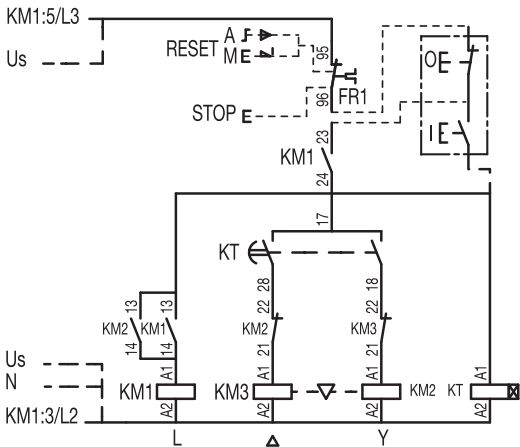
<https://applications.it.abb.com/SOC/Motor>

# Diagram Star Delta

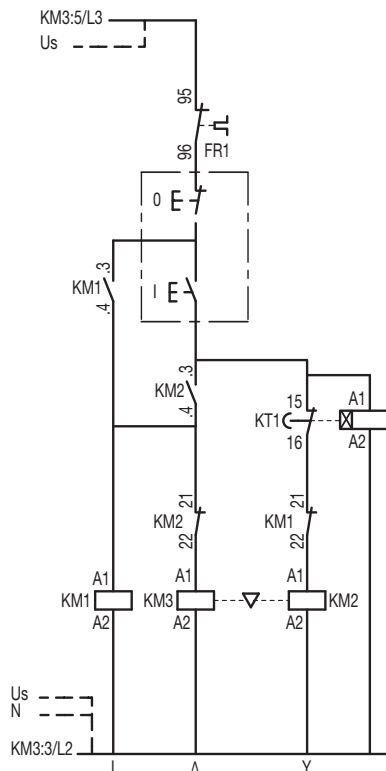
Power circuit diagram  
AX06 ... AX370 contactors



Control circuit diagram - Remote control  
AX06 ... AX205 contactors



AX260 ... AX370 contactors



## Tabel Koordinasi starter Star Delta (S/D) Tipe 2 (Performa Tinggi)

Tabel asosiasi 2 komponen

SCPD : MMS  
 Short-Circuit Current : 50kA  
 Coordination type : IEC Type 2

Rated voltage : 380/400VAC  
 Starting type : SD-NS  
 Overload relay : Embedded  
 Motor Efficiency Class : IE1/IE2/IE3 N/H

Motor		MMS			Contactor type			Max allowed load current [A]
Rated Power [kW]	Rated Current [A]	Type	Inst.Trip. Current [A]	Current range [A]	Line	Delta	Star	
0.06	0.22	<b>MS116 - 0.25</b>	2.44	0.16 - 0.25	<b>AX09</b>	<b>AX09</b>	<b>AX09</b>	0.25
0.09	0.34	<b>MS116 - 0.40</b>	3.90	0.25 - 0.40	<b>AX09</b>	<b>AX09</b>	<b>AX09</b>	0.40
0.12	0.44	<b>MS116 - 0.63</b>	6.14	0.40 - 0.63	<b>AX09</b>	<b>AX09</b>	<b>AX09</b>	0.63
0.18	0.72	<b>MS116 - 1.0</b>	11.50	0.63 - 1.00	<b>AX09</b>	<b>AX09</b>	<b>AX09</b>	1.00
0.25	0.83	<b>MS116 - 1.0</b>	11.50	0.63 - 1.00	<b>AX09</b>	<b>AX09</b>	<b>AX09</b>	1.00
0.37	1.12	<b>MS116 - 1.6</b>	18.40	1.00 - 1.60	<b>AX09</b>	<b>AX09</b>	<b>AX09</b>	1.60
0.55	1.45	<b>MS116 - 1.6</b>	18.40	1.00 - 1.60	<b>AX09</b>	<b>AX09</b>	<b>AX09</b>	1.60
0.75	1.90	<b>MS116 - 2.5</b>	28.75	1.60 - 2.50	<b>AX09</b>	<b>AX09</b>	<b>AX09</b>	2.50
1.10	2.59	<b>MS116 - 4.0</b>	50.00	2.50 - 4.00	<b>AX09</b>	<b>AX09</b>	<b>AX09</b>	4.00
1.50	3.45	<b>MS116 - 4.0</b>	50.00	2.50 - 4.00	<b>AX09</b>	<b>AX09</b>	<b>AX09</b>	4.00
2.20	4.90	<b>MS116 - 6.3</b>	78.75	4.00 - 6.30	<b>AX18</b>	<b>AX18</b>	<b>AX09</b>	6.30
3.00	6.50	<b>MS116 - 10</b>	150.00	6.30 - 10.00	<b>AX32</b>	<b>AX32</b>	<b>AX09</b>	10.00
4.00	8.50	<b>MS116 - 10</b>	150.00	6.30 - 10.00	<b>AX32</b>	<b>AX32</b>	<b>AX09</b>	10.00
5.5	12.10	<b>MS132 - 16</b>	240.00	10.00 - 16.00	<b>AX32</b>	<b>AX32</b>	<b>AX32</b>	12.00
7.5	16.30	<b>MS132 - 20</b>	300.00	16.00 - 20.00	<b>AX32</b>	<b>AX32</b>	<b>AX32</b>	20.00
9	19.60	<b>MS132 - 20</b>	300.00	16.00 - 20.00	<b>AX32</b>	<b>AX32</b>	<b>AX32</b>	20.00
11	23.30	<b>MS132 - 25</b>	375.00	20.00 - 25.00	<b>AX32</b>	<b>AX32</b>	<b>AX32</b>	25.00
15	30.50	<b>MS165 - 32</b>	480.00	23.00 - 32.00	<b>AX40</b>	<b>AX40</b>	<b>AX40</b>	32.00
18.5	36.80	<b>MS165 - 42</b>	630.00	30.00 - 42.00	<b>AX40</b>	<b>AX40</b>	<b>AX40</b>	40.00
22	43.20	<b>MS165 - 54</b>	810.00	40.00 - 54.00	<b>AX65</b>	<b>AX50</b>	<b>AX40</b>	53.00
25	49.10	<b>MS165 - 54</b>	810.00	40.00 - 54.00	<b>AX65</b>	<b>AX50</b>	<b>AX40</b>	53.00
30	57.90	<b>MS165 - 65</b>	975.00	52.00 - 65.00	<b>AX65</b>	<b>AX65</b>	<b>AX40</b>	65.00
37	69.00	<b>MS165 - 73</b>	1022.00	62.00 - 73.00	<b>AX80</b>	<b>AX80</b>	<b>AX65</b>	69.00

## Tabel Koordinasi starter Star Delta (S/D) Tipe 2 (Performa Tinggi)

Tabel asosiasi 3 komponen

SCPD : MMS  
 Short-Circuit Current : 50kA  
 Coordination type : IEC Type 2

Rated voltage : 380/400VAC  
 Starting type : SD-NS  
 Overload relay : Thermal Overload Relay  
 Motor Efficiency Class : IE1/IE2/IE3 N/H

Motor		MMS	Contactor type			Overlay Relay		Max allowed load current [A]
Rated Power [kW]	Rated Current [A]	Type	Inst.Trip. Current [A]	Line	Delta	Star	Type	Current Range [A]
0.06	0.21	MO132-0.25	3.13	AX09	AX09	AX09	TA25DU-0.16M	0.10 - 0.16
0.09	0.32	MO132-0.40	5.00	AX09	AX09	AX09	TA25DU-0.25M	0.16 - 0.25
0.12	0.46	MO132-0.63	7.88	AX09	AX09	AX09	TA25DU-0.4M	0.25 - 0.40
0.18	0.63	MO132-0.63	7.88	AX09	AX09	AX09	TA25DU-0.4M	0.25 - 0.40
0.25	0.90	MO132-1.0	12.50	AX09	AX09	AX09	TA25DU-0.63M	0.40 - 0.63
0.37	1.20	MO132-1.6	20.00	AX09	AX09	AX09	TA25DU-1.0M	0.63 - 1.00
0.55	1.60	MO132-1.6	20.00	AX09	AX09	AX09	TA25DU-1.0M	0.63 - 1.00
0.75	2.00	MO132-2.5	31.25	AX12	AX12	AX09	TA25DU-1.4M	1.0 - 1.4
1.1	2.80	MO132-4.0	50.00	AX18	AX18	AX09	TA25DU-1.8M	1.3 - 1.8
1.5	3.80	MO132-4.0	50.00	AX18	AX18	AX09	TA25DU-2.4M	1.7 - 2.4
2.2	5.20	MO132-6.3	78.75	AX25	AX25	AX09	TA25DU-3.1M	2.2 - 3.1
3	6.80	MO132-10	125	AX25	AX25	AX09	TA25DU-4.0M	2.8 - 4.0
4	8.90	MO132-12	150	AX25	AX25	AX09	TA25DU-6.5M	4.5 - 6.5
5.5	12.10	MO132-16	200	AX25	AX25	AX09	TA25DU-8.5M	6.0 - 8.5
7.5	16.30	MO132-20	250	AX32	AX32	AX12	TA25DU-11M	7.5 - 11
9	19.60	MO132-20	250	AX32	AX32	AX12	TA25DU-14M	10 - 14
11	23.20	MO132-25	312	AX32	AX32	AX12	TA25DU-14M	10 - 14
15	30.50	MO132-32	400	AX32	AX32	AX18	TA25DU-19M	13 - 19
18.5	36.80	MO165-42	630	AX40	AX40	AX18	TA25DU-25M	18 - 25
22	43.20	MO165-54	810	AX50	AX50	AX25	TA25DU-25M (1)	18 - 25
25	49.10	MO165-54	810	AX50	AX50	AX25	TA75DU-32M	22 - 32
30	57.90	MO165-65	975	AX50	AX50	AX25	TA75DU-42M	29 - 42
37	69.00	MO165-73	1022	AX65	AX65	AX32	TA75DU-52M	36 - 52
45	80.00	XT2S 160 MA 100	1200	AX65	AX65	AX32	TA75DU-63M	45 - 63
55	97.00	XT4S 250 MA 200	1600	AX95	AX95	AX50	E80DU-80 (2)	27 - 80
75	132.00	XT4S 250 MA 200	1920	AX95	AX95	AX50	TA110DU-90	65 - 90
90	160.00	XT4S 250 MA 200	2250	AX115	AX115	AX65	TA110DU-110	90 - 110
110	195.00	T4S 320 PR221 -I In320	2720	AX150	AX150	AX80	TA200DU-150	110 - 150
132	230.00	T5S 400 PR221 -I In400	3200	AX260	AX260	AX150	EF370-380	115 - 380
160	280.00	T5S 400 PR221 -I In400	4000	AX260	AX260	AX150	EF370-380	115 - 380
200	350.00	T5S 630 PR221 -I In630	5040	AX260	AX260	AX150	EF370-380	115 - 380
200	350.00	T6S 630 PR221 -I In630	5040	AX260	AX260	AX150	EF370-380	115 - 380

Pada sistem Star-Delta, pengaturan arus beban lebih (overload) pada TOR/EOR adalah normal arus motor x 0.58

Tabel koordinasi untuk variasi kontaktor tipe AF dapat lihat pada link berikut : <https://applications.it.abb.com/SOC/Motor>

- (1) Overload relay dipasang dengan tambahan Single Mounting Kit DB25/25A 1SAZ201108R0001
- (2) Overload relay dipasang dengan tambahan Single Mounting Kit DB80E 1SAX301110R1001



## Manual Motor Starter/Motor Circuit Breaker

MS116 - 0.1A hingga 32A, proteksi beban lebih dan magnetis hingga 50kA

### Spesifikasi

Fungsi	: Switsing ON dan OFF motor listrik dan memproteksi terhadap arus beban lebih dan arus hubung pendek (solusi dengan 2 komponen). Solusi yang ekonomis, handal untuk kebutuhan proteksi motor listrik
Tegangan operasional	: Hingga 690VAC
Jangkauan arus	: 0.1 ... 32 A
Kelas trip	: 10A
Proteksi	: Thermal-magnetis
Kapasitas pemutusan (Icu)	: Sampai dengan 50 kA, 400 V.
Fitur	: Phase loss sesitivity : Lebar 45 mm Aksesoris sama untuk MS 116 dan MS 132

Daya motor [kW]	Jangkauan arus Ir [A]	Kapasitas pemutusan pada 400VAC Ics [kA]	Tipe	Kode order	Harga IDR
0.03	0.10 ... 0.16	50	MS116-0.16	1SAM250000R1001	806,300
0.06	0.16 ... 0.25	50	MS116-0.25	1SAM250000R1002	806,300
0.09	0.25 ... 0.40	50	MS116-0.4	1SAM250000R1003	806,300
0.18	0.40 ... 0.63	50	MS116-0.63	1SAM250000R1004	806,300
0.25	0.63 ... 1.00	50	MS116-1.0	1SAM250000R1005	806,300
0.55	1.00 ... 1.60	50	MS116-1.6	1SAM250000R1006	806,300
0.75	1.60 ... 2.50	50	MS116-2.5	1SAM250000R1007	806,300
1.5	2.50 ... 4.00	50	MS116-4.0	1SAM250000R1008	806,300
2.2	4.00 ... 6.30	50	MS116-6.3	1SAM250000R1009	806,300
4	6.30 ... 10.00	50	MS116-10	1SAM250000R1010	895,400
5.5	8.00 ... 12.00	25	MS116-12	1SAM250000R1012	965,800
7.5	10.00 ... 16.00	16	MS116-16	1SAM250000R1011	965,800
7.5	16.00 ... 20.00	10	MS116-20	1SAM250000R1013	1,211,100
11	20.00 ... 25.00	10	MS116-25	1SAM250000R1014	1,265,000
15	25.00 ... 32.00	10	MS116-32	1SAM250000R1015	1,888,700



MS116



## Manual Motor Starter/Motor Circuit Breaker

MS132 - 0.1A hingga 32A, proteksi beban lebih dan magnetis hingga 100kA

MS165 - 10A hingga 80A, proteksi beban lebih dan magnetis hingga 100kA

### Spesifikasi

Fungsi	: Switsing ON dan OFF motor listrik dan memproteksi terhadap arus beban lebih dan arus hubung pendek (solusi dengan 2 komponen). Solusi yang ekonomis, handal untuk kebutuhan proteksi motor listrik
Tegangan operasional	: Hingga 690VAC/250VDC
Jangkauan arus	: 0.1 ... 32 A
Kelas trip	: 10
Proteksi	: Thermal-magnetis
Kapasitas pemutusan (Icu)	: Sampai dengan 100 kA, 400 V.
Fitur	: Phase loss sesitivity : Lebar 45 mm untuk MS132, lebar 55 mm untuk MS165 : Aksesoris sama untuk MS 116 dan MS 132 : Handel dapat dikunci pada posisi OFF : Posisi handel terlihat jelas posisi ON/OFF/TRIP : Indikasi trip magnetik terlihat pd bagian depan : Aksesoris sama untuk MS 116 dan MS 132

Daya motor [kW]	Jangkauan arus Ir [A]	Kapasitas pemutusan pada 400VAC Ics [kA]	Tipe	Kode order	Harga IDR
<b>MS132</b>					
0.03	0.10 ... 0.16	100	MS132-0.16	1SAM350000R1001	1,149,500
0.06	0.16 ... 0.25	100	MS132-0.25	1SAM350000R1002	1,149,500
0.09	0.25 ... 0.40	100	MS132-0.4	1SAM350000R1003	1,149,500
0.18	0.40 ... 0.63	100	MS132-0.63	1SAM350000R1004	1,149,500
0.25	0.63 ... 1.00	100	MS132-1.0	1SAM350000R1005	1,155,000
0.55	1.00 ... 1.60	100	MS132-1.6	1SAM350000R1006	1,155,000
0.75	1.60 ... 2.50	100	MS132-2.5	1SAM350000R1007	1,155,000
1.5	2.50 ... 4.00	100	MS132-4.0	1SAM350000R1008	1,155,000
2.2	4.00 ... 6.30	100	MS132-6.3	1SAM350000R1009	1,155,000
4	6.30 ... 10.0	100	MS132-10	1SAM350000R1010	1,256,200
5.5	8.00 ... 12.0	50	MS132-12	1SAM350000R1012	1,294,700
7.5	10.0 ... 16.0	50	MS132-16	1SAM350000R1011	1,333,200
7.5	16.0 ... 20.0	50	MS132-20	1SAM350000R1013	1,552,100
11	20.0 ... 25.0	50	MS132-25	1SAM350000R1014	1,552,100
15	25.0 ... 32.0	25	MS132-32	1SAM350000R1015	2,317,700
<b>MS165</b>					
7.5	10 ... 16	100	MS165-16	1SAM451000R1011	2,736,800
7.5	14 ... 20	100	MS165-20	1SAM451000R1012	2,736,800
11	18 ... 25	100	MS165-25	1SAM451000R1013	2,736,800
15	23 ... 32	100	MS165-32	1SAM451000R1014	2,843,500
22	30 ... 42	50	MS165-42	1SAM451000R1015	2,843,500
22	40 ... 54	30	MS165-54	1SAM451000R1016	2,886,400
30	52 ... 65	30	MS165-65	1SAM451000R1017	3,004,100
37	62 ... 73	30	MS165-73	1SAM451000R1018	3,765,300
45	70 ... 80	30	MS165-80	1SAM451000R1019	3,784,000



MS132



MS165

## Manual Motor Starter

MMS - MO 132/165 - Proteksi magnetis saja

### Spesifikasi

Fungsi	: Switsing ON dan OFF motor listrik dan memproteksi terhadap arus hubung pendek. Solusi ini adalah alternatif dimana proteksi beban lebih dan proteksi hubung pendek terpisah, dimana \ diperlukan relai beban lebih termis (TOR) atau relai beban lebih elektronik ( solusi dengan 3 komponen).
Tegangan operasional	: Hingga 690VAC & 690VAC/250VDC (MO165)
Jangkauan arus pengenal	: 0.16 ... 80 A
Proteksi	: Magnetis saja (proteksi terhadap arus hubung pendek)
Kapasitas pemutusan (Icu)	: Sampai dengan 50 kA, 100 kA, 400 V.

Daya motor [kW]	Jangkauan arus Ir [A]	Kapasitas pemutusan pada 400VAC Ics [kA]	Tipe	Kode order	Harga IDR
<b>MO 132</b>					
0.03	0.16	100	MO132-0.16	1SAM360000R1001	914,100
0.06	0.25	100	MO132-0.25	1SAM360000R1002	914,100
0.09	0.4	100	MO132-0.40	1SAM360000R1003	914,100
0.18	0.63	100	MO132-0.63	1SAM360000R1004	914,100
0.25	1	100	MO132-1	1SAM360000R1005	914,100
0.55	1.6	100	MO132-1.6	1SAM360000R1006	914,100
0.75	2.5	100	MO132-2.5	1SAM360000R1007	914,100
1.5	4	100	MO132-4	1SAM360000R1008	915,200
2.2	6.3	100	MO132-6.3	1SAM360000R1009	915,200
4	10	100	MO132-10	1SAM360000R1010	1,027,400
5.5	12	100	MO132-12	1SAM360000R1012	1,091,200
7.5	16	100	MO132-16	1SAM360000R1011	1,305,700
7.5	20	100	MO132-20	1SAM360000R1013	1,305,700
11	25	50	MO132-25	1SAM360000R1014	1,329,900
15	32	25	MO132-32	1SAM360000R1015	2,114,200
<b>MO 165</b>					
7.5	16	100	MO165-16	1SAM461000R1011	2,378,200
7.5	20	100	MO165-20	1SAM461000R1012	2,378,200
11	25	100	MO165-25	1SAM461000R1013	2,378,200
15	32	100	MO165-32	1SAM461000R1014	2,542,100
22	42	50	MO165-42	1SAM461000R1015	2,641,100
22	54	30	MO165-54	1SAM461000R1016	2,641,100
30	65	30	MO165-65	1SAM461000R1017	2,641,100
37	73	30	MO165-73	1SAM461000R1018	3,293,400
45	80	30	MO165-80	1SAM461000R1019	3,569,500

### CATATAN

- Manual motor starter tipe trip magnetis saja (MO xxx) harus dilengkapi dengan relai termis beban lebih (TOR).
- Tipe MO xxx hanya memproteksi terhadap arus hubung pendek, tanpa proteksi termis dan gangguan fase.

4



MO132



MO165



## Manual Motor Starter

Aksesori MMS - MS116/MS132/MS165/MO132/MO165



SK1-11



CK1-11



AA1

### Kontak bantu

Tipe MMS	Kontak	Tipe	Kode order	Harga (Rp)
<b>Kontak bantu, pasang depan</b>				
MS116, MS132,	1 NO + 1 NC	HKF1-11	1SAM201901R1001	184,800
MS165, MO132,	2 NO	HKF1-20	1SAM201901R1002	184,800
MO165, MS132-T,	1 NO	HKF1-10	1SAM201901R1003	111,100
MS132-K, MS132-KT	1 NC	HKF1-01	1SAM201901R1004	111,100
<b>Kontak bantu, pasang samping kanan maks. 2 pcs</b>				
MS116, MS132,	1 NO + 1 NC	HK1-11	1SAM201902R1001	220,000
MS165, MO132,	2 NO	HK1-20	1SAM201902R1002	220,000
MO165, MS132-T,	2 NC	HK1-02	1SAM201902R1003	220,000
MS132-K, MS132-KT				
<b>Kontak bantu untuk sinyal trip, pasang samping kanan</b>				
MS116, MS132,	1 NO + 1 NC	SK1-11	1SAM201903R1001	266,200
MS165, MO132,	2 NO	SK1-20	1SAM201903R1002	266,200
MO165, MS132-T,	2 NC	SK1-02	1SAM201903R1003	266,200
MS132-K, MS132-KT				
<b>Kontak bantu untuk alarm hubung singkat, pasang samping kanan</b>				
MS132, MS165,	1 NO + 1 NC	CK1-11	1SAM301901R1001	310,200
MS132-T, MS132-K,	2 NO	CK1-20	1SAM301901R1002	310,200
MS132-KT	2 NC	CK1-02	1SAM301901R1003	310,200

### Pelepas tegangan

Tipe MMS	Tegangan	Tipe	Kode order	Harga (Rp)
<b>Pelepas tegangan jatuh, pasang samping kiri</b>				
MS116, MS132,	24 V, 50 Hz	UA1-24	1SAM201904R1001	684,200
MS165, MO132,	48 V, 50 Hz	UA1-48	1SAM201904R1002	684,200
MO165, MS132-T	60 V, 50 Hz	UA1-60	1SAM201904R1003	684,200
	110 V, 50 Hz - 120 V, 60 Hz	UA1-120	1SAM201904R1004	684,200
	208 V, 60 Hz	UA1-208	1SAM201904R1008	1,234,200
	230 V, 50 Hz -240 V, 60 Hz	UA1-230	1SAM201904R1005	684,200
	400 V, 50 Hz	UA1-400	1SAM201904R1006	684,200
	415 V, 50 Hz -480 V, 60 Hz	UA1-415	1SAM201904R1007	684,200
<b>Pelepas shunt opening/shunt trip, pasang samping kiri</b>				
MS116, MS132,	24 V, 50/60 Hz	AA1-24	1SAM201910R1001	1,234,200
MS165, MO132,	110 V, 50/60 Hz	AA1-110	1SAM201910R1002	1,234,200
MO165, MS132-T	200 ... 240 V 50/60 Hz	AA1-230	1SAM201910R1003	1,234,200
	350 ... 415 V 50/60 Hz	AA1-400	1SAM201910R1004	1,234,200

## Manual Motor Starter

Aksesori MMS - MS 116/ MS 132



MSHD-LB

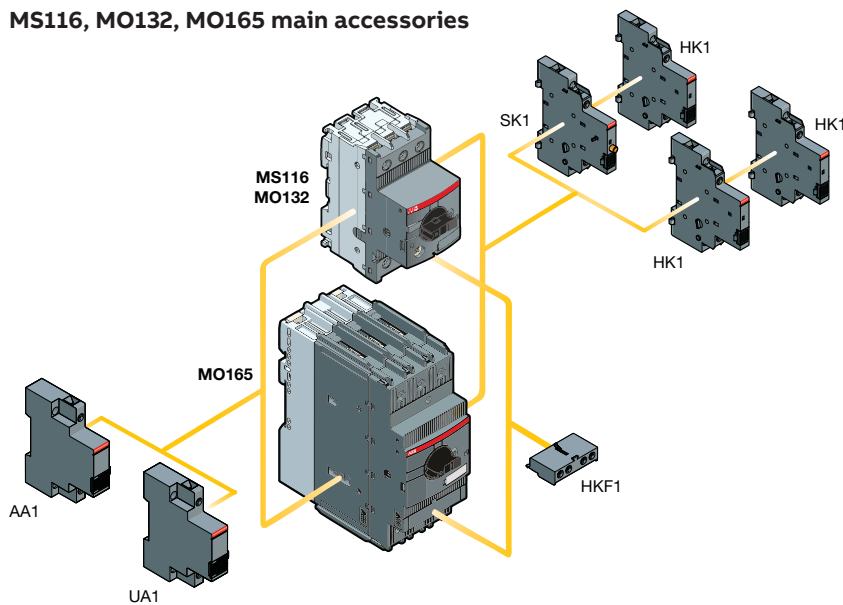
### Handel putar yang dipasang di pintu panel, IP64

Tipe MMS	Kontak	Tipe	Kode order	Harga (Rp)
MS116,	knob putar hitam	MSHD-LB	1SAM201920R1001	451,000
MS132,	driver	MSMN	1SAM101923R0002	129,800
MO132,	shaft 180 mm	OXS6X180	1SCA101659R1001	-
MS165,				
MO165				

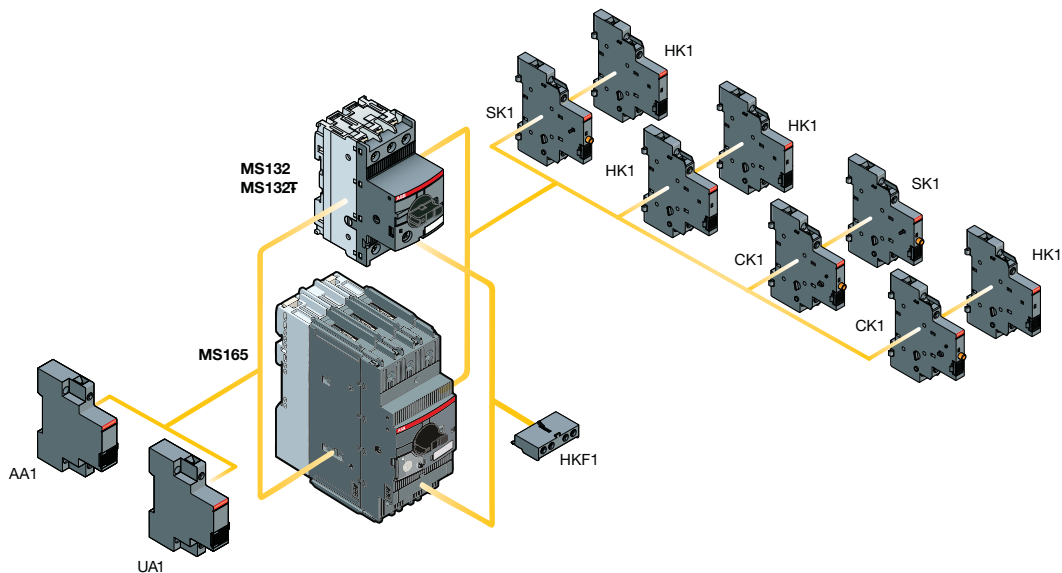
Untuk produk yang harganya belum tercantum, harap menghubungi kami

4

### MS116, MO132, MO165 main accessories



### MS132, MS165 main accessories



## Enclosed Motor Starter

DRAS 9A hingga 16A



— DRAS  
+ T16 to be ordered separately

### Spesifikasi

- Tegangan operasional : Hingga 690VAC
- Jangkauan arus : 0.1 ... 16 A
- Kelas trip : 10
- Indeks proteksi : IP65
- Termasuk : Box sudah dirakit dan dipasang kabel  
: 1 pushbutton ON dan 1 pushbutton OFF  
: 1 kontaktor
- Tidak termasuk : 1 terminal Netral dan 1 terminal PE  
: Relai beban lebih tipe T16

Daya motor 220V [kW]	400V [kW]	Tegangan kontrol [VAC]	Perkabelan	Tipe	Kode order	Harga IDR
2.2	4	230	Fasa dengan Netral	DRAS09-26N	1SBK104135R2600	1,345,300
		400	Fasa dengan Fasa	DRAS09-28P	1SBK104035R2800	1,345,300
3	5.5	230	Fasa dengan Netral	DRAS12-26N	1SBK114135R2600	1,433,300
		400	Fasa dengan Fasa	DRAS12-28P	1SBK114035R2800	1,433,300
4	7.5	230	Fasa dengan Netral	DRAS16-26N	1SBK124135R2600	1,942,600
		400	Fasa dengan Fasa	DRAS16-28P	1SBK124035R2800	1,942,600



— IB132-Y

## IB132 enclosures for single manual motor starter



— IB132-G

### Spesifikasi

- Indeks proteksi : IP65 (NEMA Type 12)
- Penguncian : Dapat dikunci gembok pada posisi OFF
- Aksesoris : Dapat ditambahkan kontak bantu, shunt trip dan undervoltage release
- Label indikator : I-O-T and ON-OFF-T.

Tipe MMS	Warna	Tipe	Kode order	Harga IDR
MS116, MS132,	Grey/black	IB132-G	1SAM201911R1010	669,900
MO132	Yellow/red	IB132-Y	1SAM201911R1011	682,000

## Kontaktor Instalasi

### ESB - Tabel Beban Lampu

Harap dicatat bahwa lampu switching adalah aplikasi beban kapasitor di mana puncak arus lonjakan tinggi dapat terjadi. Ini dipengaruhi oleh panjang dan penampang kabel serta jenis unit catu daya dan spesifikasi merek lampu. Misalnya, kabel panjang dapat meningkatkan kemungkinan jumlah lampu per kutub. Tabel ini menunjukkan arus maksimum yang diizinkan untuk satu kutub dan sudah mempertimbangkan arus puncak saat start.

Tabel pilihan berikut menunjukkan nilai saat ini dan beban kapasitor maksimum yang dapat dihidupkan untuk lampu kompensasi.

Kedua batasan ini harus dipertimbangkan dalam pemilihan kontaktor.

		ESB16..N	ESB20..N EN20..N	ESB25..N EN25..N	ESB40..N EN40..N	ESB63..N	ESB100..N
Permitted compensating capacity per phase Cmax [ $\mu$ F]		45	75	100	350	500	650
Lamp types		Maximum load of the current paths during switching of electric lamps Ie [A]					
Incandescent and halogen lamps (230 V)		4	6	7	20	30	45
Mixing lamps without ballast		4	6	7	20	30	45
Fluorescent lamps with conventional ballast	Single lamp uncompensated	14	18	22	36	56	90
	Single lamp parallel compensated	2	3	3.5	10	15	22
	Series compensation, duo circuit	14	18	22	36	56	90
Fluorescent lamps with electronic ballast or CFL		4	6	7	20	30	45
LED lamps		4	6	7	20	30	45
High pressure mercury-vapor lamps	Single lamp without compensation	7	9	11	18	28	45
	Single lamp with parallel compensation	2	3	3.5	10	15	22
Halogen metal-vapor lamps	Single lamp without compensation	7	9	11	18	28	45
	Single lamp with parallel compensation	2	3	3.5	10	15	22
High pressure sodium-vapor lamps	Single lamp without compensation	7	9	11	18	28	45
	Single lamp with parallel compensation	2	3	3.5	10	15	22
Low pressure sodium-vapor lamps	Single lamp without compensation	7	9	11	18	28	45
	Single lamp with parallel compensation	2	3	3.5	10	15	22

#### Contoh perhitungan untuk beban dan jumlah lampu:

Lampu neon dengan ballast konvensional, tidak dikompensasi kapasitor, kebutuhan arusnya 0,5A pada tegangan 220V.

1 pole ESB20..N dapat dibebankan hingga 18A sesuai tabel, maka jumlah lampu:

$18A/0,5A = 36$  lampu untuk 1 pole ESB20..N

1 pole ESB16..N dapat dibebankan hingga 14A sesuai tabel, maka jumlah lampu:

$14A/0,5A = 28$  lampu untuk 1 pole ESB16..N

**Mohon gunakan data arus pada tabel beban lampu dan dibagi arus yang tertera pada lampu, maka didapatkan data jumlah lampu yang dapat dinyalakan.**

**Contoh pada gambar ESB20..N digunakan untuk lampu LED :**

$6A/85mA = 70$  lampu LED untuk 1 pole



## ESB Kontaktor Instalasi

ESB - 16A hingga 100A, Tegangan koil AC/DC

### Spesifikasi

Tegangan operasional : 250VAC/220VDC, Semua Tipe  
 : 400VAC, ESB25-ESB100  
 Tegangan koil : 0.85 ... 1.1 x UC (at  $\theta \leq 55^\circ\text{C}$ )  
 Fitur : Hum-Free & Low Noise  
 Standard : Industrial & Household standard, IEC/EN 60947-4-1, IEC/EN 61095, UL/CSA 60947-4-1

### Kontaktor Instalasi - ESB

Tipe	AC-1(A)	Tegangan koil VAC/DC	Lebar modul (mm)	Kontak	Kode order	Harga (Rp)
ESB16-20N	16	230	17.8	2 NO	1SBE111111R0620	377,300
ESB16-02N	16	230	17.8	2 NC	1SBE111111R0602	396,000
ESB16-11N	16	230	17.8	1 NO + 1 NC	1SBE111111R0611	396,000
ESB20-20N	20	230	17.8	2 NO	1SBE121111R0620	460,900
ESB20-02N	20	230	17.8	2 NC	1SBE121111R0602	484,000
ESB20-11N	20	230	17.8	1 NO + 1 NC	1SBE121111R0611	484,000
ESB25-20N	25	230	36	2 NO	1SAE231111R0620	561,000
ESB25-22N	25	230	36	2 NO + 2 NC	1SAE231111R0622	645,700
ESB25-30N	25	230	36	3 NO	1SAE231111R0630	546,700
ESB25-31N	25	230	36	3 NO + 1 NC	1SAE231111R0631	645,700
ESB25-40N	25	230	36	4 NO	1SAE231111R0640	645,700
ESB40-20N	40	230	54	2 NO	1SAE341111R0620	781,000
ESB40-22N	40 & 30 (NC)	230	54	2 NO + 2 NC	1SAE341111R0622	962,500
ESB40-30N	40	230	54	3 NO	1SAE341111R0630	871,200
ESB40-31N	40 & 30 (NC)	230	54	3 NO + 1 NC	1SAE341111R0631	962,500
ESB40-40N	40	230	54	4 NO	1SAE341111R0640	962,500
ESB63-20N	63	230	54	2 NO	1SAE351111R0620	1,180,300
ESB63-22N	63 & 30 (NC)	230	54	2 NO + 2 NC	1SAE351111R0622	1,361,800
ESB63-30N	63	230	54	3 NO	1SAE351111R0630	1,271,600
ESB63-31N	63 & 30 (NC)	230	54	3 NO + 1 NC	1SAE351111R0631	1,361,800
ESB63-40N	63	230	54	4 NO	1SAE351111R0640	1,361,800
ESB100-20N	100	230	54	2 NO	1SAE361111R0620	3,257,100
ESB100-40N	100	230	108	4 NO	1SAE661111R0640	3,580,500



ESB16..N      ESB20..N



ESB25..N



ESB40..N



ESB63..N



ESB100..N



EH04-11N

## ESB Kontaktor Instalasi

ESB - 16A hingga 100A, Tegangan koil AC/DC



EN20..N

### Kontaktor Instalasi - ESB dengan selector switch Manual / Off / Automatic

Tipe	AC-1 (A)	Tegangan koil VAC/DC	Lebar modul (mm)	Kontak	Kode order	Harga (Rp)
EN20-20N	20	230	17.8	2 NO	1SBE122111R0620	628,100
EN25-31N	25	230	36	3 NO + 1 NC	1SAE232111R0631	844,800
EN25-40N	25	230	36	4 NO	1SAE232111R0640	804,100
EN40-20N	40	230	54	2 NO	1SAE342111R0620	1,144,000
EN40-31N	40 & 30 (NC)	230	54	3 NO + 1 NC	1SAE342111R0631	1,265,000
EN40-40N	40	230	54	4 NO	1SAE342111R0640	1,205,600

### Tersedia juga untuk coil 24VAC/DC

#### Kontak Bantu

Tipe	AC-15 240VAC (A)	Lebar modul (mm)	Kontak	Kode order	Harga (Rp)
EH04-11N	4	9	1 NO + 1 NC	1SAE901901R1011	541,200
EH04-20N	4	9	2 NO	1SAE901901R1020	541,200



EN25..N



EH04-11N

## Kontaktor 3 Kutub

B - Kontaktor mini, tegangan koil AC & DC

**Spesifikasi**

Tegangan operasional : Hingga 690V  
 Dimensi (TxLxD mm) : 45.2x47.5x46.7 mm  
 Tegangan koil : at  $\theta \leq 55^\circ\text{C}$  0.85...1.1 x Uc  
 Kontak bantu : Sudah termasuk kontak bantu sesuai tabel di bawah  
 : Tersedia tambahan kontak bantu

**Tegangan koil AC**

AC-3, 400 V [kW] [A]	AC-1 (A)	VAC 50Hz	Kontak bantu { }	Tipe	Kode order	Harga (Rp)
4 8.9	20	24	1 -	B6-30-10-01	GJL1211001R0101	356,400
			- 1	B6-30-01-01	GJL1211001R0011	356,400
		48	1 -	B6-30-10-03	GJL1211001R0103	356,400
			- 1	B6-30-01-03	GJL1211001R0013	356,400
		110-127	1 -	B6-30-10-84	GJL1211001R8104	356,400
			- 1	B6-30-01-84	GJL1211001R8014	356,400
		220-240	1 -	B6-30-10-80	GJL1211001R8100	356,400
			- 1	B6-30-01-80	GJL1211001R8010	356,400
		380-415	1 -	B6-30-10-85	GJL1211001R8105	356,400
			- 1	B6-30-01-85	GJL1211001R8015	356,400
5.5 12.1	20	24	1 -	B7-30-10-01	GJL1311001R0101	424,600
			- 1	B7-30-01-01	GJL1311001R0011	424,600
		48	1 -	B7-30-10-03	GJL1311001R0103	424,600
			- 1	B7-30-01-03	GJL1311001R0013	424,600
		110-127	1 -	B7-30-10-84	GJL1311001R8104	424,600
			- 1	B7-30-01-84	GJL1311001R8014	424,600
		220-240	1 -	B7-30-10-80	GJL1311001R8100	424,600
			- 1	B7-30-01-80	GJL1311001R8010	424,600
		380-415	1 -	B7-30-10-85	GJL1311001R8105	424,600
			- 1	B7-30-01-85	GJL1311001R8015	424,600



B6-30-10



B7-30-10

**Tegangan koil DC**

AC-3, 400 V [kW] [A]	AC-1 (A)	Tegangan koil VDC	Kontak bantu { }	Tipe	Kode order	Harga (Rp)
4 8.9	20	12	1 -	BC6-30-10-07	GJL1213001R0107	475,200
			- 1	BC6-30-01-07	GJL1213001R0017	475,200
		24	1 -	BC6-30-10-01	GJL1213001R0101	475,200
			- 1	BC6-30-01-01	GJL1213001R0011	475,200
		48	1 -	BC6-30-10-16	GJL1213001R1106	475,200
			- 1	BC6-30-01-16	GJL1213001R1016	475,200
		110-125	1 -	BC6-30-10-04	GJL1213001R0104	475,200
			- 1	BC6-30-01-04	GJL1213001R0014	475,200
		220-240	1 -	BC6-30-10-05	GJL1213001R0105	475,200
			- 1	BC6-30-01-05	GJL1213001R0015	475,200
5.5 12.1	20	12	1 -	BC7-30-10-07	GJL1313001R0107	629,200
			- 1	BC7-30-01-07	GJL1313001R0017	629,200
		24	1 -	BC7-30-10-01	GJL1313001R0101	629,200
			- 1	BC7-30-01-01	GJL1313001R0011	629,200
		48	1 -	BC7-30-10-16	GJL1313001R1106	629,200
			- 1	BC7-30-01-16	GJL1313001R1016	629,200
		110-125	1 -	BC7-30-10-04	GJL1313001R0104	629,200
			- 1	BC7-30-01-04	GJL1313001R0014	629,200
		220-240	1 -	BC7-30-10-05	GJL1313001R0105	629,200
			- 1	BC7-30-01-05	GJL1313001R0015	629,200



VB7-30-10

**Kontaktor mini yang dapat dikontrol langsung dari output PLC**

AC-3, 400 V [kW] [A]	AC-1 (A)	Tegangan koil / konsumsi listrik rendah	Kontak bantu { }	Tipe	Kode order	Harga (Rp)
4 8.9	20	24 VDC / 1.4 W	1 -	BC6-30-10-1.4-81	GJL1213001R8101	525,800
			- 1	BC6-30-01-1.4-81	GJL1213001R8011	525,800
5.5 12.1	20	24 VDC / 1.4 W	1 -	BC7-30-10-1.4-81	GJL1313001R8101	696,300
			- 1	BC7-30-01-1.4-81	GJL1313001R8011	696,300

Tersedia juga Reverse Contactor

## Kontaktor 3 kutub

AX - 9A hingga 370A, tegangan koil AC

### Spesifikasi

Tegangan operasional	: Hingga 690V (AX09-80), 1000V (AX95-370)
Tegangan koil	: 0.85...1.1 x Uc
Kontak bantu	: Sudah termasuk kontak bantu sesuai tabel di bawah : Tersedia tambahan kontak bantu



AX09-30-10



AX50-30-11



AX95-30-11

AC-3, 400 V		AC-1, $\theta \leq 40^\circ\text{C}$	Kontak bantu	Tipe	Kode order	Harga IDR
[kW]	[A]	[A]				
4	9	22	1 -	AX09-30-10-**-	1SBL901074R**10	270,600
			- 1	AX09-30-01-**-	1SBL901074R**01	270,600
5.5	12	25	1 -	AX12-30-10-**-	1SBL911074R**10	332,200
			- 1	AX12-30-01-**-	1SBL911074R**01	332,200
7.5	18	27	1 -	AX18-30-10-**-	1SBL921074R**10	459,800
			- 1	AX18-30-01-**-	1SBL921074R**01	459,800
11	25	32	1 -	AX25-30-10-**-	1SBL931074R**10	650,100
			- 1	AX25-30-01-**-	1SBL931074R**01	650,100
15	32	55	1 -	AX32-30-10-**-	1SBL281074R**10	884,400
			- 1	AX32-30-01-**-	1SBL281074R**01	884,400
18.5	40	60	1 -	AX40-30-10-**-	1SBL321074R**10	1,619,200
			- 1	AX40-30-01-**-	1SBL321074R**01	1,619,200
22	50	100	1 1	AX50-30-11-**-	1SBL351074R**11	2,043,800
30	65	115	1 1	AX65-30-11-**-	1SBL371074R**11	2,854,500
37	80	125	1 1	AX80-30-11-**-	1SBL411074R**11	2,878,700
45	96	145	1 1	AX95-30-11-**-	1SFL431074R**11	3,423,200
55	115	160	1 1	AX115-30-11-**-	1SFL981074R**11	4,523,200
75	150	190	1 1	AX150-30-11-**-	1SFL991074R**11	6,670,400
90	185	250	1 1	AX185-30-11-**-	1SFL491074R**11	10,458,800
110	205	275	1 1	AX205-30-11-**-	1SFL501074R**11	11,082,500
132	265	400	1 1	AX260-30-11-**-	1SFL547074R**11	15,644,200
160	305	500	1 1	AX300-30-11-**-	1SFL587074R**11	25,612,400
200	370	600	1 1	AX370-30-11-**-	1SFL607074R**11	30,970,500

### Kode tegangan koil

Tegangan VAC - 50 Hz	Kode **
24	81
110	84
220...230	80
400...415	86



## Teknologi kontaktor AF

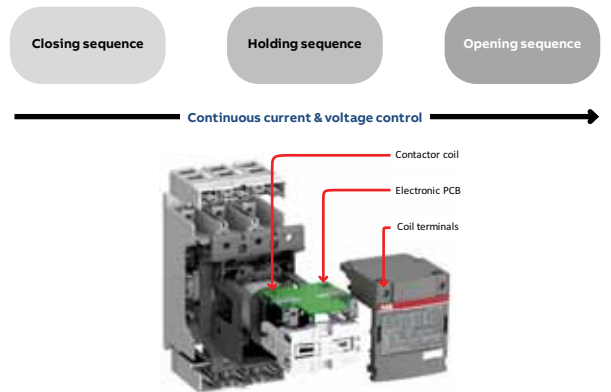
AF kontaktor untuk start motor dan power switching hingga 2850 A

### ABB telah menetapkan standar baru dengan teknologi AF

Kontrol arus dan tegangan kontinu melalui seluruh siklus operasi

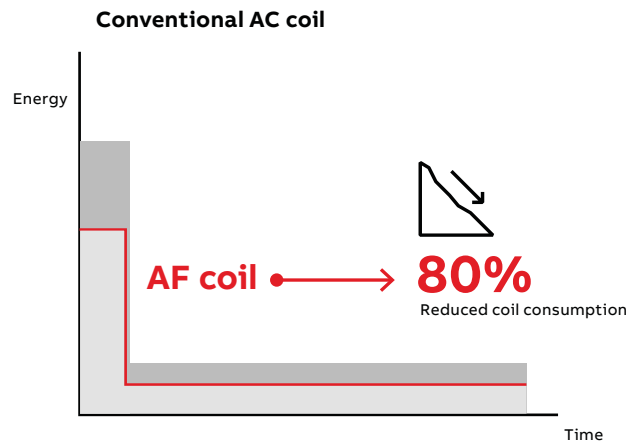
- Dalam hal closing dan opening sangat berbeda
- Konsumsi daya yang rendah
- Opening dipantau

Kekuatan saat closing yang kuat  
 Disipasi panas rendah dalam posisi tertutup  
 Bebas dari suara berdentung



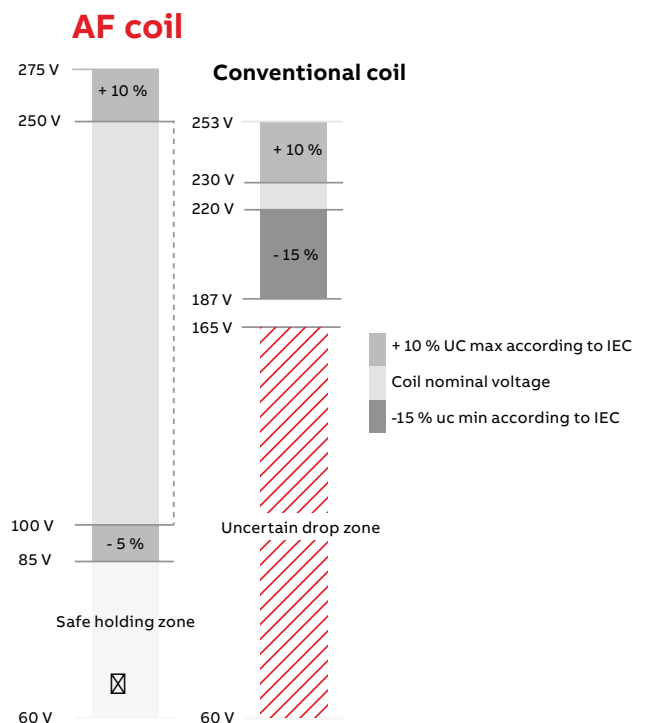
### Mengurangi konsumsi koil

Koil AF dan konsumsi energi berkurang hingga 80%. Ini memungkinkan pengurangan kenaikan suhu, ukuran transformator kontrol, dan ukuran kabinet.



### Rentang tegangan kontrol lebar

Dengan teknologi kontaktor konvensional, kontaktor yang berbeda diperlukan untuk voltase jaringan yang berbeda. Berkat jangkauan operasi yang luas dari kontaktor AF, ia dapat beroperasi dengan baik di Eropa seperti di Asia atau Amerika Utara. Koil inti dari rentang kontaktor AF mencakup 100-250 V AC / DC, 50/60 Hz.



## Teknologi kontaktor AF

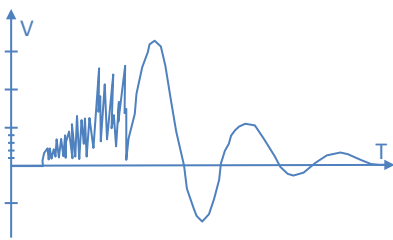
AF kontaktor untuk start motor dan power switching hingga 2850 A

### Dilengkapi Surge Supressors

Pada teknologi kontaktor konvensional, disarankan untuk menggunakan Surge Supressors eksternal, aksesoris yang dapat menelan biaya hingga setengah dari harga kontaktor. Dengan teknologi AF, surge ditangani oleh kontaktor dan tidak pernah mencapai koil.

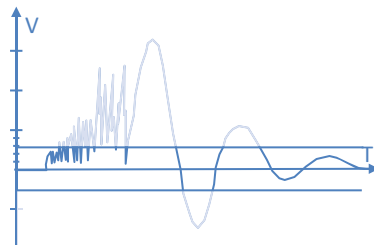
#### Conventional technology,

- Surge generated at coil opening
- In AC and in DC



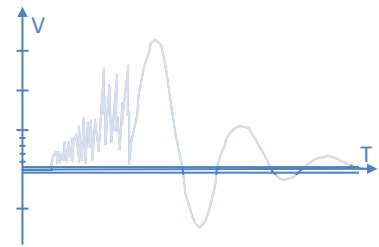
#### Surge protection with conventional technology,

- Residual overvoltage remains
- In AC and in DC



#### AF technology,

- Built-in surge protection function
- No residual overvoltage
- In AC and in DC



### Dirancang untuk kontrol langsung PLC, AF09Z ... AF38Z (4 to 18.5 Kw)

- Sirkuit kontrol: 24 V DC dioperasikan dengan koil elektronik yang memungkinkan konsumsi holding rendah hingga 1,7 W dan mengurangi konsumsi energi panel
- Memungkinkan kontrol langsung oleh PLC-output  $\geq 250$  mA 24 V DC
- Penutupan dan pembukaan yang sangat berbeda
- Dilengkapi Surge Supressors

### AF09Z...AF38Z designed for PLC - 4 to 18.5 kW - 24 V DC operated

**Voltage range**  
24 V DC

**Coil code**  
30

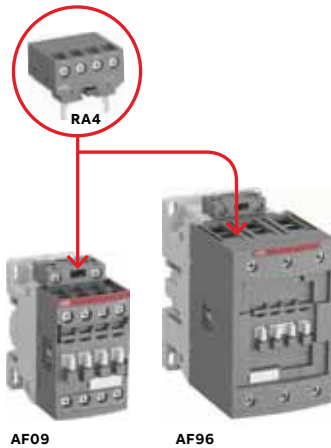
- Allow direct control by 24 V DC  $\geq 250$  mA PLC-output
- Pull-in consumption 6 W 250 mA
- Holding consumption 1.7 W
- N.O. contact opening time 29 ms and closing time 53 ms
- With built-in surge protection

## Teknologi kontaktor AF

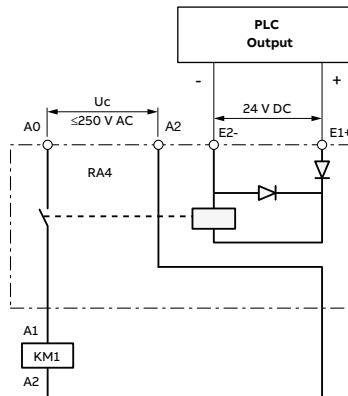
AF kontaktor untuk start motor dan power switching hingga 2850 A

### Interface relay AF09 hingga AF96

Untuk kontrol dengan 24 V DC  $\geq$  20 mA output PLC. Relai antarmuka RA4 dapat digunakan untuk tegangan rangkaian kontrol pengenalan  $U_c$  24 ... 250 V 50 / 60Hz dengan kontaktor AF standar hingga 45 kW - 400 V dan dengan relay kontaktor NF.



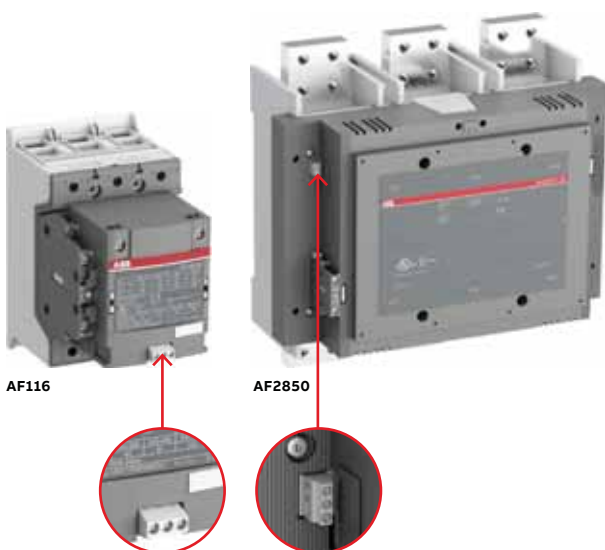
### Control circuit with interface relay



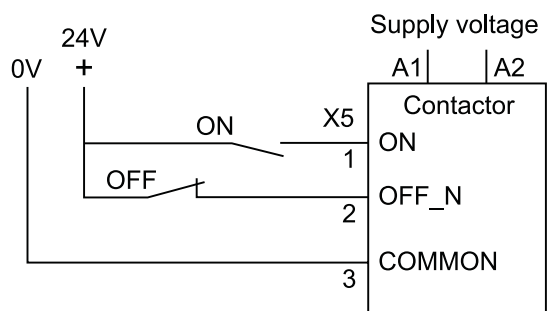
### Built-in PLC interface AF116 hingga AF2850

Untuk kontrol dengan 24 V DC  $\geq$  20 mA output PLC. Antarmuka PLC bawaan mengoperasikan 100 ... 250 V AC / DC atau 250 ... 500 V AC / DC AF koil kontaktor. Tersedia untuk kontaktor AF mulai dari 55 kW - 400 V / 75 hp hingga 560 kW - 400 V / 900 hp 480 V dan hingga 2850 A AC-1.

Kode kumparan khusus dari AF116 hingga AF370 dan fitur standar dari AF400 hingga AF2850.



### Control inputs with PLC plug



## Kontaktor 3 Kutub

AF - 9A hingga 1650A, tegangan koil AC/DC

### Spesifikasi

Tegangan operasional	: Hingga 690V (AF09-65), 1000V (AF80-1650)
Tegangan koil	: Jangkauan tegangan yang luas
Kontak bantu	: Sudah termasuk kontak bantu sesuai tabel di bawah
	: Tersedia tambahan kontak bantu



— AF09-30-10



— AF26-30-11



— AF370-30-11

AC-3, 400 V		AC-1, $\theta$ $\leq 40^\circ\text{C}$	Kontak bantu	Tipe	Kode order	Harga IDR
[kW]	[A]	[A]	$\downarrow$ $\downarrow$			
4	9	25	1 -	AF09-30-10-**	1SBL137001R**10	939,400
			- 1	AF09-30-01-**	1SBL137001R**01	939,400
5.5	12	28	1 -	AF12-30-10-**	1SBL157001R**10	1,006,500
			- 1	AF12-30-01-**	1SBL157001R**01	1,006,500
7.5	18	30	1 -	AF16-30-10-**	1SBL177001R**10	1,534,500
			- 1	AF16-30-01-**	1SBL177001R**01	1,534,500
11	26	45	1 1	AF26-30-11-**	1SBL237001R**11	1,962,400
15	32	50	1 1	AF30-30-11-**	1SBL277001R**11	2,923,800
18.5	38	50	1 1	AF38-30-11-**	1SBL297001R**11	3,021,700
18.5	40	70	1 1	AF40-30-11-**	1SBL347001R**11	4,037,000
22	53	100	1 1	AF52-30-11-**	1SBL367001R**11	4,266,900
30	65	105	1 1	AF65-30-11-**	1SBL387001R**11	4,620,000
37	80	125	1 1	AF80-30-11-**	1SBL397001R**11	5,073,200
45	96	130	1 1	AF96-30-11-**	1SBL407001R**11	7,355,700
55	116	160	1 1	AF116-30-11-**	1SFL427001R**11	9,637,100
75	140	200	1 1	AF140-30-11-**	1SFL447001R**11	10,932,900
75	146	225	1 1	AF146-30-11-**	1SFL467001R**11	10,932,900
90	190	275	1 1	AF190-30-11-**	1SFL487002R**11	11,949,300
110	205	350	1 1	AF205-30-11-**	1SFL527002R**11	12,573,000
132	265	400	1 1	AF265-30-11-**	1SFL547002R**11	16,819,000
160	305	500	1 1	AF305-30-11-**	1SFL587002R**11	26,787,200
200	370	600	1 1	AF370-30-11-**	1SFL607002R**11	32,016,600

AC-3, 400 V		AC-1, $\theta$ $\leq 40^\circ\text{C}$	Kontak bantu	Tipe	Kode order	Harga IDR
[kW]	[A]	[A]	$\downarrow$ $\downarrow$			
200	400	600	1 1	AF400-30-11**	1SFL577001R**11	33,701,800
250	460	700	1 1	AF460-30-11**	1SFL597001R**11	39,439,400
315	580	800	1 1	AF580-30-11**	1SFL617001R**11	41,137,800
400	750	1050	1 1	AF750-30-11**	1SFL637001R**11	65,457,700
475	860	1350	1 1	AF1350-30-11** <sup>(3)</sup>	1SFL657001R**11	103,725,600
560	1050	1650	1 1	AF1650-30-11** <sup>(3)</sup>	1SFL677001R**11	139,119,200

### Kode tegangan koil untuk kontaktor AF09 ... AF370

Tegangan VAC - 50/60 Hz	Tegangan V DC	Kode tegangan **	Kontaktor
24...60	20...60 <sup>(1)</sup>	11	AF09...AF370
48...130	48...130	12	AF09...AF370
100...250	100...250	13	AF09...AF370
250...500	250...500	14	AF09...AF370

### Kode tegangan koil untuk kontaktor AF 400 ... AF 1650

Tegangan VAC - 50/60 Hz	Tegangan V DC	Kode tegangan **	Kontaktor
-	24...60 (1)	68 <sup>(2)</sup>	AF400...AF750
48...130	48...130	69	AF400...AF750
100...250	100...250	70	AF400...AF1650
250... 500	250... 500	71	AF400...AF750

(1) AF.-30-...-11 tidak cocok untuk kontrol langsung dari output PLC.

(2) Dipasang sesuai dengan polaritas diterminal koil, A1 untuk kutub positif dan A2 untuk kutub negatif

(3) Hanya tersedia tegangan koil 100...250 V

## Kontaktor 4 Kutub

B - Kontaktor mini, tegangan koil AC & DC

**Spesifikasi**

Tegangan operasional : Hingga 690V  
 Dimensi (TxLxD mm) : 45.2x47.5x46.7 mm  
 Tegangan koil : at  $\theta \leq 55^\circ\text{C}$  0.85...1.1 x Uc  
 Kontak bantu : Tidak termasuk kontak bantu  
 Tersedia tambahan kontak bantu



B6-22-00

AC-1 [A]	Kontak utama	Kontak bantu	Tipe	Kode Order	Harga IDR
20	4 -	- -	B6-40-00-**	GJL1211201R****	404,800
	2 2	- -	B6-22-00-**	GJL1211501R****	404,800

**Kode tegangan koil untuk kontaktor B6 4P**

Tegangan VAC 50/60 Hz	Kode tegangan **	Kode tegangan ****
24	01	0001
48	03	0003
110...127	84	8004
220...240	80	8000



BC6-22-00

AC-1 [A]	Kontak utama	Kontak bantu	Tipe	Kode Order	Harga IDR
20	4 -	- -	BC6-40-00-**	GJL1213201R****	453,200
	2 2	- -	BC6-22-00-**	GJL1213501R****	453,200

**Kode tegangan koil untuk kontaktor BC6 4P**

Tegangan VDC	Kode tegangan **	Kode tegangan ****
12	07	0007
24	01	0001
48	16	1006
110...125	04	0004
220...240	05	0005

## Kontaktor 4 Kutub

AF - 9A hingga 2650A, tegangan koil AC/DC

### Spesifikasi

Tegangan operasional : Hingga 1000V, kecuali AF116 & AF140 hingga 690V  
 Tegangan koil : Jangkauan tegangan yang luas  
 Kontak bantu : Tidak termasuk kontak bantu  
 : Tersedia tambahan kontak bantu



AF40-40-00



AF80-40-00



AF140-40-00B



EK1000-40-11

AC-1, $\theta$ $\leq 40^\circ\text{C}$ [A]	Kontak utama	Kontak bantu	Tipe	Kode order	Harga IDR
25	4 -	- -	AF09-40-00-**	1SBL137201R**00	1,051,600
	2 2	- -	AF09-22-00-**	1SBL137501R**00	1,161,600
30	4 -	- -	AF16-40-00-**	1SBL177201R**00	1,271,600
	2 2	- -	AF16-22-00-**	1SBL177501R**00	1,551,000
45	4 -	- -	AF26-40-00-**	1SBL237201R**00	1,552,100
	2 2	- -	AF26-22-00-**	1SBL237501R**00	1,552,100
55	4 -	- -	AF38-40-00-**	1SBL297201R**00	2,758,800
	2 2	- -	AF38-22-00-**	1SBL297501R**00	2,530,000
70	4 -	- -	AF40-40-00-**	1SBL347201R**00	3,858,800
	2 2	- -	AF40-22-00-**	1SBL347501R**00	4,009,500
100	4 -	- -	AF52-40-00-**	1SBL367201R**00	4,574,900
	4 -	- -	AF80-40-00-**	1SBL397201R**00	5,140,300
125	2 2	- -	AF80-22-00-**	1SBL397501R**00	5,140,300
	4 -	- -	AF116-40-00-**	1SFL427101R**00	9,273,000
160	4 -	- -	AF116-40-00B-**	1SFL427102R**00	9,273,000
	4 -	- -	AF140-40-00-**	1SFL447101R**00	13,404,600
200	4 -	- -	AF140-40-00B-**	1SFL447102R**00	13,404,600
	4 -	- -	AF190-40-00-**	1SFL487102R**00	15,889,500
275	4 -	- -	AF205-40-00-**	1SFL527102R**00	20,868,100
350	4 -	- -	AF265-40-00-**	1SFL547102R**00	28,321,700
400	4 -	- -	AF305-40-00-**	1SFL587102R**00	34,604,900
500	4 -	- -	AF370-40-00-**	1SFL607102R**00	38,472,500
525	4 -	- -			

AF116/140-40-00-\*\*, koneksi dengan clamp kabel

AF116/140-40-00B-\*\*, koneksi dengan bar

### Kode tegangan koil untuk kontaktor AF09 ... AF370

Tegangan VAC - 50/60 Hz	Tegangan V DC	Kode tegangan **
24...60	20...60 (1)	11
48...130	48...130	12
100...250	100...250	13
250...500	250...500	14

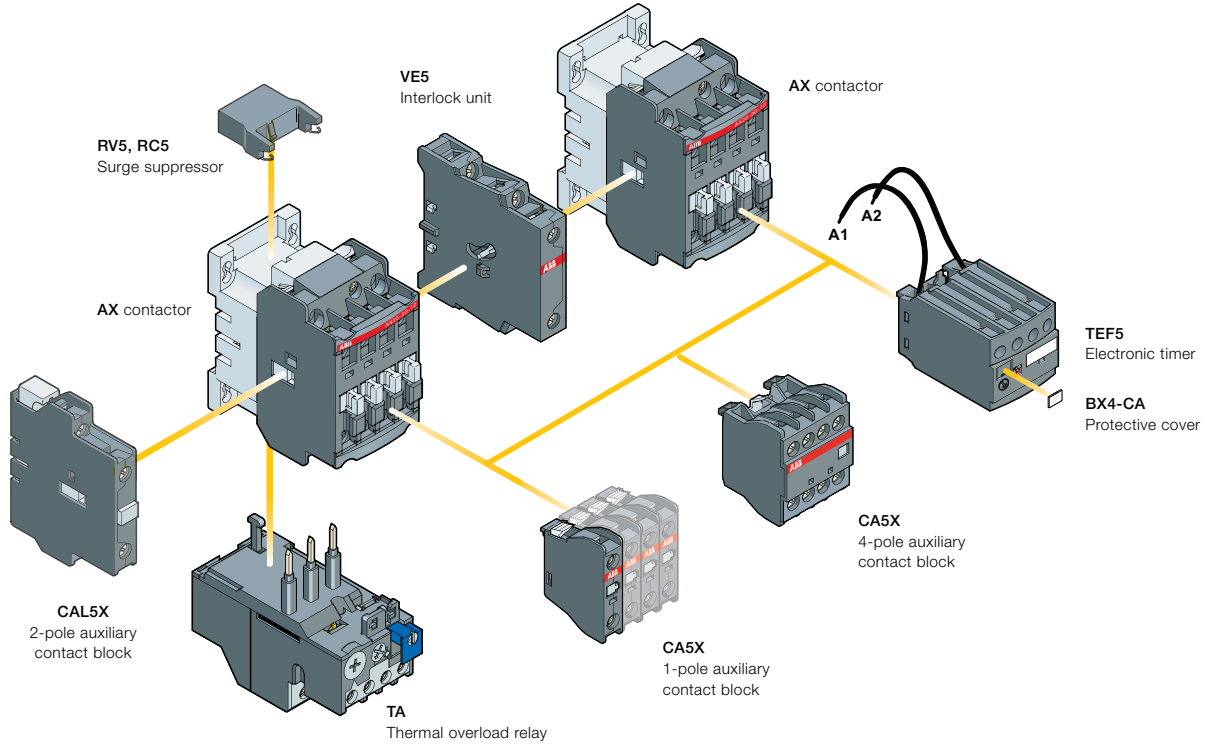
(1) AF.-40-.-11 tidak cocok untuk kontrol langsung dari output PLC.

AC-1, $\theta$ $\leq 40^\circ\text{C}$ [A]	Kontak utama	Kontak bantu	Tipe	Kode order	Harga IDR
800	4 -	1 1	EK550-40-11	SK827041-EL	41,574,500
1000	4 -	1 1	EK1000-40-11	SK827044-EL	56,883,200

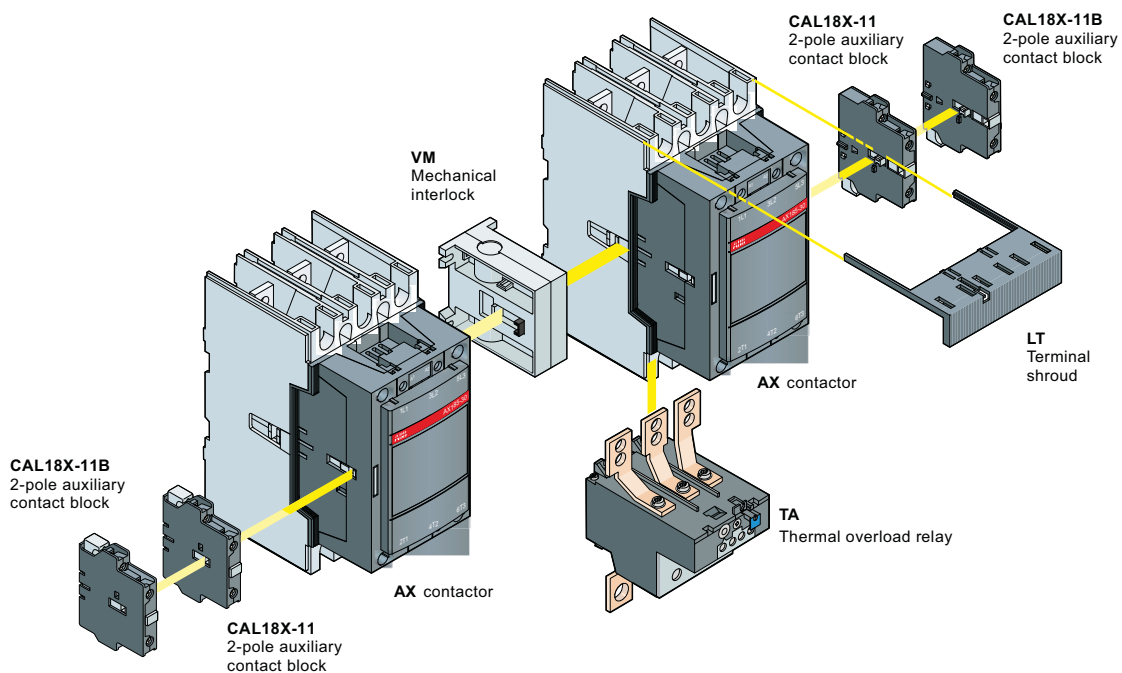
SK82704\*-EL dengan tegangan koil 220V 50Hz

## Panduan aksesoris kontaktor AX

### AX09 ... AX150 3-pole main accessories (other accessories available)



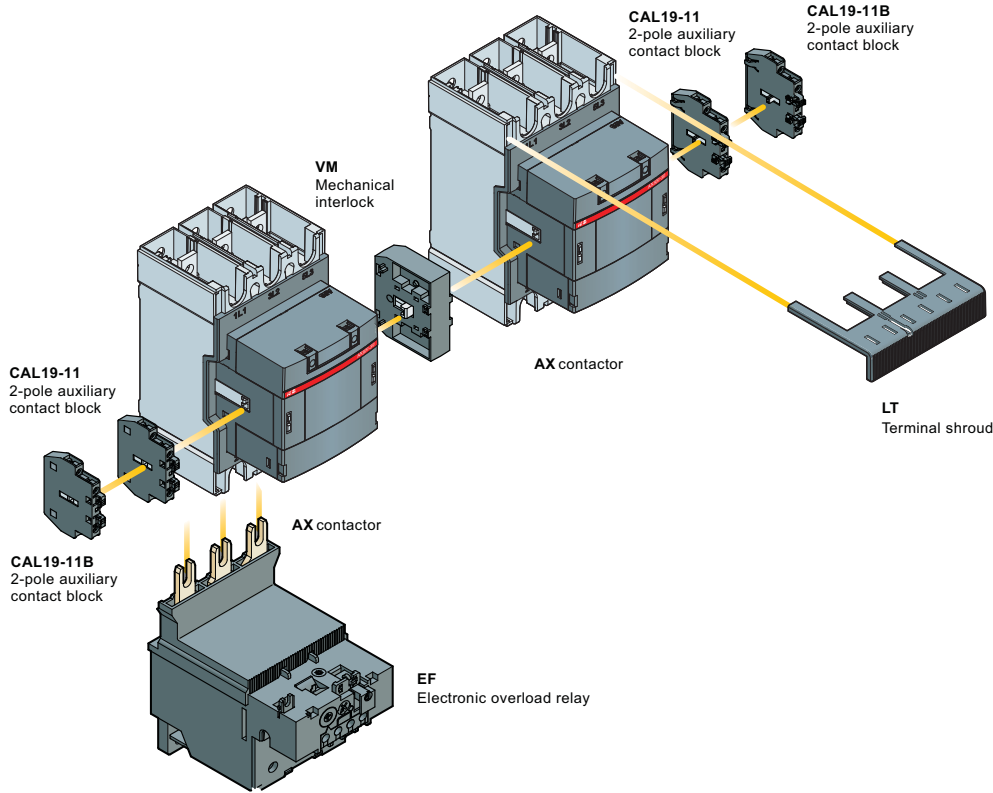
### AX185 ... AX205 3-pole main accessories (other accessories available)



## Panduan aksesoris kontaktor AX

### AX260 ... AX370 3-pole main accessories (other accessories available)

4



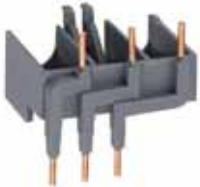


## Aksesoris Kontaktor

### Aksesoris Kontaktor B dan AX



CAF6-11N



BEA7/132



CA6-11E

#### Aksesoris Kontaktor B

Aksesoris	Tipe kontaktor	Kontak bantu	Tipe	Kode order	Harga IDR
Kontak bantu pasang depan (1)	B6-, B7-40-00,	1 1	CAF6-11E	GJL1201330R0002	115,500
	BC6-, BC7-40-00	2 0	CAF6-20E	GJL1201330R0006	115,500
	B6-, B7-30-10,	1 1	CAF6-11M	GJL1201330R0003	115,500
	BC6-, BC7-30-10	2 0	CAF6-20M	GJL1201330R0007	115,500
	B6-, B7-30-01,	1 1	CAF6-11N	GJL1201330R0004	115,500
	BC6-, BC7-30-01	2 0	CAF6-20N	GJL1201330R0008	115,500
Kontak bantu pasang samping (1)	B6-, B7-40-00,	1 1	CA6-11E	GJL1201317R0002	115,500
	BC6-, BC7-40-00	1 1	CA6-11M	GJL1201317R0003	115,500
	B6-, B7-30-01,	1 1	CA6-11N	GJL1201317R0004	115,500
Sambungan ke MS116/MS132	B6/B7		BEA7/132	1SBN080906R1002	105,600

(1) Kontak bantu depan dan samping tidak dapat di pasang secara bersamaan



CA5X-10



CA5X-4P



CAL5X-11



CAL18X-11

Aksesoris	Tipe kontaktor	Kontak bantu	Tipe	Kode order	Harga IDR
Kontak bantu pasang depan	AX09 ... AX150, dan NX 4-pole	1 -	CA5X-10	1SBN019010R1010	78,100
		- 1	CA5X-01	1SBN019010R1001	78,100
		2 2	CA5X-22E	1SBN019040R1022	273,900
	AX50...AX150	3 1	CA5X-31E	1SBN019040R1031	273,900
		4 0	CA5X-40E	1SBN019040R1040	273,900
		0 4	CA5X-04E	1SBN019040R1004	273,900
		2 2	CA5X-22M	1SBN019040R1122	273,900
		3 1	CA5X-31M	1SBN019040R1131	273,900
		1 3	CA5X-13M	1SBN019040R1113	273,900
	AX09...AX40-30-10	0 4	CA5X-04M	1SBN019040R1104	273,900
		2 2	CA5X-22U	1SBN019040R1322	273,900
		3 1	CA5X-31U	1SBN019040R1331	273,900
		4 0	CA5X-40U	1SBN019040R1340	273,900
		0 4	CA5X-04U	1SBN019040R1304	273,900
		2 2	CA5X-22N	1SBN019040R1222	273,900
NX 4-pole	3 1	CA5X-31N	1SBN019040R1231	273,900	
	4 0	CA5X-40N	1SBN019040R1240	273,900	
	0 4	CA5X-04N	1SBN019040R1204	273,900	
	1 1	CAL5X-11	1SBN019020R1011	216,700	
Kontak bantu pasang samping	AX09...AX80, dan NX 4-pole	1 1	CAL5X-11	1SBN019020R1011	216,700
	AX95...AX205	1 1	CAL18X-11	1SFN019820R1011	156,200
	AX185...AX205	1 1	CAL18X-11B(2)	1SFN019820R3311	156,200
	AX260...AX370	1 1	CAL19-11	1SFN010820R1011	156,200
AX260...AX370	1 1	CAL19-11B(2)	1SFN010820R3311	156,200	

(2) blok kedua sebagai tambahan, pemasangan setelah CAL18X-11 atau CAL19-11

## Aksesoris Kontaktor

### Aksesoris Kontaktor B dan AX

Aksesoris	Tipe kontaktor	Tunda waktu (s)	Tipe tunda	Tegangan kontrol V 50/60 Hz or DC	Kontak bantu	Tipe	Kode Order	Harga IDR
Pewaktu elektronik pasang depan	AX09...AX80, dan NX 4-pole	0.1...1 s	ON-delay	24...240	1 1	TEF5-ON	1SBN020312R1000	1,240,800
		1...10 s	OFF-delay	24...240	1 1	TEF5-OFF	1SBN020314R1000	1,128,600

Aksesoris	Kontaktor sisi kiri	Kontaktor sisi kanan	Posisi pasang	Tipe	Kode Order	Harga IDR
Mekanikal interlok untuk 2 kontaktor pasang horisontal	AX06 ... AX40	AX06 ... AX40	Horisontal	VM5-1	1SBN030100R1000	174,900
	AX95 ... AX205	AX185 ... AX205	Horisontal	VM300H	1SFN034700R1000	1,984,400
	AX260 ... AX370	AX260 ... AX370	Horisontal	VM19	1SFN030300R1000	1,984,400
	AX185 ... AX205	AX260 ... AX370	Horisontal	VM205/260	1SFN035003R1000	1,974,500
	AX260 ... AX370	AX185 ... AX205	Horisontal	VM205/260	1SFN035003R1000	1,974,500
Mekanikal interlok untuk 2 kontaktor pasang vertikal	AX95 ... AX150	AX150 ... AX205	Vertikal	VM300V	1SFN034701R1000	2,332,000

Aksesoris	Tipe kontaktor	Tegangan kontrol	Tipe	Kode Order	Harga IDR
Unit mechanical latching (3)	AX09 ... AX80	24 VAC/DC	WB75-A	FPTN372726R1001	1,815,000
		220...230 VAC/DC	WB75-A	FPTN372726R1006	1,815,000

(3) Aplikasi : Mengubah kontaktor standar menjadi kontaktor latching

Cara kerja : Setelah kontaktor 'close', kontaktor akan tetap posisi 'close' melalui mekanisme latching meskipun tegangan koil gagal atau hilang pada terminal koil kontaktor.

Aksesoris	Tipe kontaktor	Diameter lubang mm	Dimensi mm	Tipe	Kode Order	Harga IDR
Terminal Lebar	AX185 ... AX205	10.5	20x5	LW185	1SFN074707R1000	444,400
	AX260 ... AX370	10.5	20x5	LW370	1SFN075407R1000	1,870,000

Aksesoris	Tipe kontaktor	Tipe manual motor starter	Tipe	Kode Order	Harga IDR
Sambungan ke Manual motor starter	AX09 ... AX18	MS116-0.16 ... MS116-16	BEA16/116	1SBN081406R1000	70,400
		MS132-0.16 ... MS132-10			
	AX25	MS116-0.16 ... MS116-16 / MS132-0.16 ... MS132-10	BEA25/116	1SBN089306T1000	70,400
	AX25	MS116-20 ... MS116-32 / MS132-12 ... MS132-32	BEA25/132	1SBN089306T1001	70,400



VM300H



TEF5-ON



VM5-1



WB75-A



LW



BEA16/116

## Aksesoris Kontaktor

### Aksesoris Kontaktor AF

Aksesoris	Tipe kontaktor	Kontak bantu	Tipe	Kode Order	Harga IDR		
Kontak bantu pasang depan	AF09 ... AF96	1 0	CA4-10	1SBN010110R1010	78,100		
	4-pole NF	0 1	CA4-01	1SBN010110R1001	78,100		
	AF09 ... AF16..-30-10		2 2	CA4-22M	1SBN010140R1122	273,900	
			3 1	CA4-31M	1SBN010140R1131	273,900	
			1 3	CA4-13M	1SBN010140R1113	273,900	
			0 4	CA4-04M	1SBN010140R1104	273,900	
			2 2	CA4-22E	1SBN010140R1022	273,900	
	AF09 ... AF80..-40-00	3 1	CA4-31E	1SBN010140R1031	273,900		
	AF09 ... AF80..-22-00	1 3	CA4-40E	1SBN010140R1040	273,900		
	AF26 ... AF96..-30-00	0 4	CA4-04E	1SBN010140R1004	273,900		
	AF09 ... AF16..-40-00						
	AF40 ... AF80..-40-00						
	AF09 ... AF16..-30-01		2 2	CA4-22U	1SBN010140R1322	273,900	
			3 1	CA4-31U	1SBN010140R1331	273,900	
			4 0	CA4-40U	1SBN010140R1340	273,900	
		4-pole NF		2 2	CA4-22N	1SBN010140R1222	273,900
				3 1	CA4-31N	1SBN010140R1231	273,900
				4 0	CA4-40N	1SBN010140R1240	273,900
		1 3	CA4-13N	1SBN010140R1213	273,900		
NF.40E	0 4	CA4-04N	1SBN010140R1204	273,900			
Kontak bantu pasang samping	AF09 ... AF96 NF	1 1	CAL4-11	1SBN010120R1011	216,700		
	AF116 ... AF370	1 1	CAL19-11	1SFN010820R1011	156,200		
		1 1	CAL19-11B(2)	1SFN010820R3311	156,200		
	AF400 ... AF2850	1 1	CAL18-11	1SFN010720R1011	156,200		
		1 1	CAL18-11B(2)	1SFN010720R3311	156,200		

(2) blok kedua sebagai tambahan, pemasangan setelah CAL18-11 atau CAL19-11

Aksesoris	Tipe kontaktor	Tunda waktu (s)	Tipe tunda	Tegangan kontrol V 50/60 Hz or DC	Kontak bantu	Tipe	Kode Order	Harga IDR
Pewaktu elektronik pasang depan	AF09 ... AF96 NF	0.1...1 s	ON-delay	24...240	1 1	TEF4-ON	1SBN020112R1000	1,240,800
		1...10 s						
		10...100 s	OFF-delay	24...240	1 1	TEF4-OFF	1SBN020114R1000	1,128,600



CA 4-10



CA 4-22 E



CAL 4-11



CAL19-11



CAL18-11



TEF4-ON



VM4

## Aksesoris Kontaktor

### Aksesoris Kontaktor AF

Aksesoris	Kontaktorsisi kiri	Posisi pasang	Kontak bantu	Tipe	Kode Order	Harga IDR
Mekanikal interlok untuk 2 kontaktor pasang horisontal	AF09 ... AF38...-30-..	Horisontal	0 0	VM4	1SBN030105T1000	174,900
	AF09 ... AF38...-40-00					
	AF40 ... AF96-30-..	Horisontal	0 0	VM96-4	1SBN033405T1000	330,000
AF40 ... AF80-40-00						
Mekanikal interlok untuk 2 kontaktor pasang vertikal	For same size contactors:	Horisontal	0 2	VEM4	1SBN030111R1000	581,900
	AF09 ... AF16...-30-..					
	AF26 ... AF38...-30-00					
	AF09, AF16...-40-00					
	AF26, AF38...-40-00					

4

Aksesoris	Tipe kontaktor	Tegangan kontrol	Tipe	Kode Order	Harga IDR
Unit mechanical latching (3)	AF09 ... AF65,	24 VAC/DC	WA4-11	1SBN040100R1011	1,815,000
	4-pole NF	220...230 VAC/DC	WA4-13	1SBN040100R1013	1,815,000
	AF80, AF96	24 VAC/DC	WA4-96-11	1SBN040200R1011	1,815,000
		220...230 VAC/DC	WA4-96-13	1SBN040200R1013	1,815,000

(3) Aplikasi : Mengubah kontaktor standar menjadi kontaktor latching

Cara kerja : Setelah kontaktor 'close', kontaktor akan tetap posisi 'close' melalui mekanisme latching meskipun tegangan koil gagal atau hilang pada terminal koil kontaktor.

Aksesoris	Tipe kontaktor	Diameter lubang mm	Dimensi mm	Tipe	Kode Order	Harga IDR
Terminal blok	AF26 ... AF38			LD38-4	1SBN072308R1000	381,700
Terminal lebar kontaktor 3 kutub	AF116 ... AF146	6.5	13 x 3	LW140	1SBN074207R1000	209,000
	AF190, AF205	10.5	17.5 x 5	LW205	1SBN074807R1000	411,400
	AF265 ... AF370	10.5	25 x 5	LW370	1SBN075407R1000	1,870,000
	AF400, AF460	10.5	25 x 5	LW460	1SBN075707R1000	2,006,400
	AF580, AF750	13	40 x 6	LW750	1SBN076107R1000	2,811,600
	AF1250	13	50 x 10	LW1250	1SBN076407R1000	10,195,900
Terminal lebar kontaktor 4 kutub	AF190 ... AF205	10.5	20 x 5	LW205-40	1SBN074807R2000	1,846,900
	AF265 ... AF370	10.5	25 x 5	LW370-40	1SBN075407R2000	2,336,400



VEM4



WA4-13



LD38-4



LW140

## Aksesoris Kontaktor

### Aksesoris Kontaktor AF

Aksesoris	Tipe kontaktor	Tipe manual motor starter	Tipe	Kode Order	Harga IDR
Sambungan ke Manual motor starter	AF09 ... AF16	MS116-0.16 ... MS116-25, MS132-0.16... MS132-25	BEA16-4	1SBN081306T1000	70,400
	AF26 ... AF38	MS116-0.16 ... MS116-16, MS132-0.16 ... MS132-10	BEA26-4	1SBN082306T1000	70,400
	AF26 ... AF38	MS116-20 ... MS116-32, MS132-12 ... MS132-32	BEA38-4	1SBN082306T2000	70,400

Aksesoris	Tipe kontaktor	Tipe	Kode Order	Harga IDR
Set sambungan untuk Star-Delta starting	AF09 ... AF16	BEY16-4	1SBN081313R2000	654,500
	AF26 ... AF38	BEY38-4	1SBN082713R2000	1,074,700
	AF40 ... AF65	BEY65-4	1SBN083413R2000	1,249,600
	AF80, AF96	BEY96-4	1SBN083913R2000	1,755,600



BEA26-4



BEY16-4



## Relai Kontaktor 4 Kutub

K - Tegangan koil AC & DC

### Spesifikasi

Tegangan operasional	: Hingga 690V
AC-15, 240VAC	: 4A
Dimensi (TxLxD mm)	: 45.2x47.5x46.7 mm
Tegangan koil	: at $\theta \leq 55^\circ\text{C}$ 0.85...1.1 x Uc
Kontak bantu	: Tidak termasuk kontak bantu
	: Tersedia tambahan kontak bantu

### Tegangan koil AC

Jumlah kontak utama	Tegangan koil VAC 50Hz	Tipe	Kode order	Harga IDR
2 NO + 2 NC	24	K6-22Z-01	GJH1211001R0221	283,800
	48	K6-22Z-03	GJH1211001R0223	283,800
	110...127	K6-22Z-84	GJH1211001R8224	283,800
	220...240	K6-22Z-80	GJH1211001R8220	283,800
	380...415	K6-22Z-85	GJH1211001R8225	283,800
3 NO + 1 NC	24	K6-31Z-01	GJH1211001R0311	283,800
	48	K6-31Z-03	GJH1211001R0313	283,800
	110...127	K6-31Z-84	GJH1211001R8314	283,800
	220...240	K6-31Z-80	GJH1211001R8310	283,800
	380...415	K6-31Z-85	GJH1211001R8315	283,800
4 NO	24	K6-40E-01	GJH1211001R0401	283,800
	48	K6-40E-03	GJH1211001R0403	283,800
	110...127	K6-40E-84	GJH1211001R8404	283,800
	220...240	K6-40E-80	GJH1211001R8400	283,800
	380...415	K6-40E-85	GJH1211001R8405	283,800

### Tegangan koil DC

Jumlah kontak utama	Tegangan koil VDC	Tipe	Kode order	Harga IDR
2 NO + 2 NC	12	KC6-22Z-07	GJH1213001R0227	437,800
	24	KC6-22Z-01	GJH1213001R0221	437,800
	48	KC6-22Z-16	GJH1213001R1226	437,800
	110...125	KC6-22Z-04	GJH1213001R0224	437,800
	220...240	KC6-22Z-05	GJH1213001R0225	437,800
3 NO + 1 NC	12	KC6-31Z-07	GJH1213001R0317	437,800
	24	KC6-31Z-01	GJH1213001R0311	437,800
	48	KC6-31Z-16	GJH1213001R1316	437,800
	110...125	KC6-31Z-04	GJH1213001R0314	437,800
	220...240	KC6-31Z-05	GJH1213001R0315	437,800
4 NO	12	KC6-40E-07	GJH1213001R0407	437,800
	24	KC6-40E-01	GJH1213001R0401	437,800
	48	KC6-40E-16	GJH1213001R1406	437,800
	110...125	KC6-40E-04	GJH1213001R0404	437,800
	220...240	KC6-40E-05	GJH1213001R0405	437,800



KC6-22Z

## Relai Kontaktor 4 Kutub

NF - Tegangan koil AC/DC

Spesifikasi  
 Tegangan operasional : Hingga 690V  
 AC-15, 240VAC : 4A  
 Tegangan koil : Jangkauan tegangan yang luas  
 Kontak bantu : Tidak termasuk kontak bantu  
 : Tersedia tambahan kontak bantu

### Tegangan koil AC/DC

Jumlah kontak utama	Tegangan koil		Tipe	Kode order	Harga IDR
	VAC 50Hz	VDC			
2 NO + 2 NC	24...60	20...60 (1)	NF22E-11	1SBH137001R1122	1,241,900
	48...130	48...130	NF22E-12	1SBH137001R1222	1,241,900
	100...250	100...250	NF22E-13	1SBH137001R1322	1,241,900
	250...500	250...500	NF22E-14	1SBH137001R1422	1,241,900
3 NO + 1 NC	24...60	20...60 (1)	NF31E-11	1SBH137001R1131	1,241,900
	48...130	48...130	NF31E-12	1SBH137001R1231	1,241,900
	100...250	100...250	NF31E-13	1SBH137001R1331	1,241,900
	250...500	250...500	NF31E-14	1SBH137001R1431	1,241,900
4 NO	24...60	20...60 (1)	NF40E-11	1SBH137001R1140	1,241,900
	48...130	48...130	NF40E-12	1SBH137001R1240	1,241,900
	100...250	100...250	NF40E-13	1SBH137001R1340	1,241,900
	250...500	250...500	NF40E-14	1SBH137001R1440	1,241,900



NF22E

(1) NF..-11 tidak cocok untuk kontrol langsung dari output PLC.



CAF6-11K



CA6-11K



CA4-22N

Aksesoris	Tipe Kontaktor	Kontak bantu	Tipe	Kode Order	Harga IDR
Kontak bantu pasang depan (2)	K6, KC6	1 1	CAF6-11K	GJL1201330R0001	115,500
Kontak bantu pasang samping (2)	K6, KC6	2 0	CAF6-20K	GJL1201330R0005	115,500
Kontak bantu pasang depan	4-pole NF	1 0	CA4-10	1SBN010110R1010	78,100
		0 1	CA4-01	1SBN010110R1001	78,100
		2 2	CA4-22N	1SBN010140R1222	273,900
		3 1	CA4-31N	1SBN010140R1231	273,900
		4 0	CA4-40N	1SBN010140R1240	273,900
		1 3	CA4-13N	1SBN010140R1213	273,900

(2) Kontak bantu depan dan samping tidak dapat di pasang secara bersamaan

## Kontaktor untuk Capacitor Switching

UA... , arus puncak I < 100 kali arus rms

### Aplikasi

Kontaktor UA... Dirancang khusus untuk capacitor bank switching dimana arus puncak start-nya kurang dari atau sama dengan 100 kali arus nominal RMS. Tabel berikut memberikan daya yang diijinkan menurut tegangan operasi dan suhu yang mendekati ke kontaktor.

Tabel ini juga menentukan arus puncak maksimum I yang diterima oleh kontaktor. Nominal kVAR menurut tabel ini dapat diaplikasi untuk kapasitor hubungan bintang. Kapasitor harus dibuang muatannya sebelum di-switch lagi. Dalam kondisi ini, ketahanan listrik kontaktor sama dengan 100,000 siklus operasi.

### Tabel pemilihan

Tipe	Daya dalam kVAR 50/60 Hz (AC - 6b)															Arus puncak yang diizinkan I (kA)	
	230/240 V			400/415 V			440 V			500/550 V			690 V				
	40°C	55°C	70°C	40°C	55°C	70°C	40°C	55°C	70°C	40°C	55°C	70°C	40°C	55°C	70°C	<500V	>500V
UA 16	7.5	6.7	6	12.5	11.7	10	13.7	13	11	15.5	14.7	12.5	21.5	20	17	1.8	1.6
UA 26	12	11	8.5	20	18.5	14.5	22	20	16	22	22	19.5	30	30	25	3	2.7
UA 30	16	16	11	27.5	27.5	19	30	30	20	34	34	23.5	45	45	32	3.5	3.1
UA 50	20	20	19	33	33	32	36	36	35	40	40	40	55	55	52	5	4.5
UA 63	25	25	21	45	45	37	50	48	41	50	50	45	70	70	60	6.5	5.8
UA 75	30	30	22	50	50	39	55	53	43	62	62	47.5	75	75	65	7.5	6.75
UA 95	35	35	30	65	65	55	65	65	55	70	70	60	80	80	70	9.3	8
UA 110	40	40	35	75	75	65	75	75	70	80	80	75	90	90	85	10.5	9

### CATATAN

- Untuk tegangan 220 V dan 380 V, kalikan dg 0.9 dari nilai kVAR pada tegang 230 V dan 400 V
- Bila dalam suatu aplikasi, arus puncak lebih besar dari arus puncak maksimum I yang ditentukan dalam table di atas, pilihlah nominal yang lebih tinggi, lihat kontaktor UA...RA atau ditambahkan induktan.
- Bank kapasitor diproteksi oleh pengaman lebur tipe gG yang mempunyai nominal sama dengan 1.5 ... 1.8 kali arus nominal kapasitor atau MCCB yang mempunyai nominal 1.35 kali arus nominal kapasitor.



## Kontaktor 3 kutub untuk Capacitor Switching

Tipe UA... , arus puncak I < 100 kali arus rms (Normal Duty)

Spesifikasi Standard	: IEC/EN 60947-1, IEC/EN 60947-4-1, UL, CSA
Tegangan operasional	: Hingga 690V
Kontak bantu	: Tersedia tambahan kontak bantu

### Tegangan koil AC



UA16-30-10

Daya 400 V 40° C [kVAR]	Kontak bantu	Tipe	No. Ref	Harga IDR
12.5	1 -	UA16-30-10-**-	1SBL181022R**10	1,498,200
20	1 -	UA26-30-10-**-	1SBL241022R**10	2,198,900
27.5	1 -	UA30-30-10-**-	1SBL281022R**10	2,374,900
33	- -	UA50-30-00-**-	1SBL351022R**00	3,851,100
45	- -	UA63-30-00-**-	1SBL371022R**00	4,194,300
50	- -	UA75-30-00-**-	1SBL411022R**00	4,297,700
65	1 1	UA95-30-11-**-	1SFL431022R**11	4,418,700
75	1 1	UA110-30-11-**-	1SFL451022R**11	4,840,000

### Tegangan koil dan kode



UA110-30-11

Tegangan VAC - 50 Hz	Kode **
24	81
110	84
220 ... 230	80
380 ... 400	85

### Pilihan kontak bantu

Tipe kontaktor	Kontak utama	Kontak bantu	Jumlah maksimum kontak bantu		
			1-pole CA5-**-	+	2-pole CAL
UA16-30-10-**-	3 0	1 -	1 hingga 4 x CA5-**-	+	1 hingga 2 x CAL5-11
UA26-30-10-**-	3 0	1 -	1 hingga 4 x CA5-**-	+	1 hingga 2 x CAL5-11
UA30-30-10-**-	3 0	1 -	1 hingga 5 x CA5-**-	+	1 hingga 2 x CAL5-11
UA50-30-00-**-	3 0	- -	1 hingga 6 x CA5-**-	+	1 hingga 2 x CAL5-11
UA63-30-00-**-	3 0	- -	1 hingga 6 x CA5-**-	+	1 hingga 2 x CAL5-11
UA75-30-00-**-	3 0	- -	1 hingga 6 x CA5-**-	+	1 hingga 2 x CAL5-11
UA95-30-00-**-	3 0	- -	1 hingga 6 x CA5-**-	+	1 hingga 2 x CAL18-11
UA110-30-00-**-	3 0	- -	1 hingga 6 x CA5-**-	+	1 hingga 2 x CAL18-11

## Kontaktor untuk Capacitor Switching

UA16..RA to UA110..RA, arus puncak I > 100 kali arus rms

### Aplikasi

Kontaktor UA...-RA dapat digunakan pada instalasi yang mempunyai arus puncak switching lebih dari 100 kali arus nominal rms. Kontakor dikemas lengkap dengan resistor peredam dan harus digunakan tanpa induktan tambahan (lihat tabel di bawah). Kapasitor harus dibuang muatannya sebelum di-switch lagi. Ketahanan listrik kontakor ini adalah 250000 siklus operasi untuk  $U_e < 500\text{ V}$  dan 100000 siklus operasi untuk  $U_e > 500\text{ V}$ .

### Deskripsi

Kontaktor UA...-RA dilengkapi dengan front-mounted blok khusus yang menjamin penyisipan deret ke dalam sirkit resistor peredam yang membatasi arus puncak saat bank kapasitor di-switch. Koneksi tersebut menjamin muatan awal kapasitor dibatasi arus puncak kedua yang terjadi saat diswit pada kutub utamanya dalam mili detik kemudian.

### Prinsip operasi

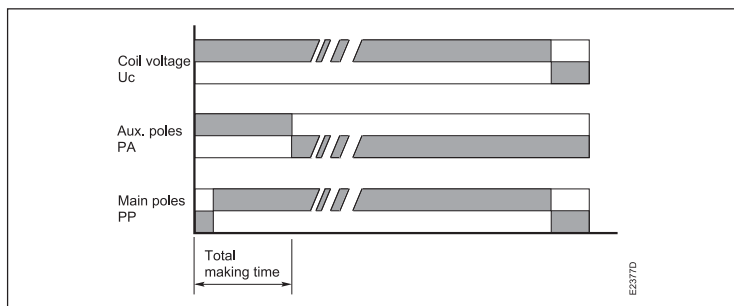
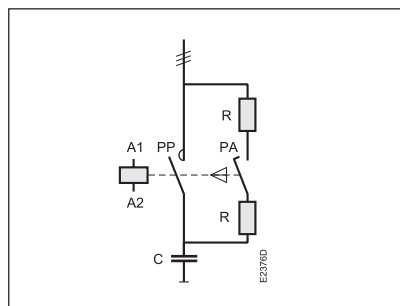
Mekanisme front-mounted block kontakor UA...-RA, secara bergantian menjamin early making dan early breaking kontak tambahan PA terhadap kontak utama PP kontakor.

### Saat koil bekerja

Kutub tambahan early making menghubungkan kapasitor ke jaringan lewat resistor, kemudian meredam arus puncak. Setelah mili-detik kemudian, kutub utama kontakor menghubungkan-pendek resistor dengan arus start yang telah berkurang. Kontak sisip tetap tertutup, siap beroperasi seperti kontak early breaking untuk urutan pemutusan berikutnya.

### Saat koil off

Kutub tambahan early breaking menjamin bahwa kapasitor diputus via kutub utama.



Resistor sisip meredam arus puncak tertinggi kapasitor saat diswit berapa pun besarnya.

### Tabel pemilihan sesuai standar IEC

Type	Daya dalam kVAR 50/60 Hz (AC - 6b)															Arus puncak yang diizinkan I (kA)
	230/240 V			400/415 V			440 V			500/550 V			690 V			
	40°C	55°C	70°C	40°C	55°C	70°C	40°C	55°C	70°C	40°C	55°C	70°C	40°C	55°C	70°C	
UA 16 ... RA	8	7.5	6	12.5	12.5	10	15	13	11	18	16	12.5	22	21	17	
UA 26 ... RA	12.5	11.5	9	22	20	15.5	24	20	17	30	25	20	35	31	26	
UA 30 ... RA	16	16	11	30	27.5	19.5	32	30	20.5	34	34	25	45	45	32	
UA 50 ... RA	25	24	20	40	40	35	50	43	37	55	50	46	72	65	60	tak terbatas
UA 63 ... RA	30	27	23	50	45	39	55	48	42.5	65	60	50	80	75	65	
UA 75 ... RA	35	30	25	60	50	41	65	53	45	75	65	55	100	80	70	> (100 X I rms)
UA 95 ... RA	40	35	30	70	60	53	75	65	58	85	75	70	120	105	85	
UA 110 ... RA	45	40	35	80	70	60	85	75	70	95	82	78	130	110	100	

## Kontaktor 3 kutub untuk Capacitor Switching

Tipe UA...-RA , arus puncak I > 100 kali arus rms (Heavy Duty)

### Spesifikasi

Standard : IEC/EN 60947-1, IEC/EN 60947-4-1, UL, CSA  
 Tegangan operasional : Hingga 690V  
 Kontak bantu : Tersedia tambahan kontak bantu

### Tegangan koil AC

Daya 400 V 40° C [kVAR]	Kontak bantu	Tipe	Kode order	Harga IDR
12.5	1 -	UA16-30-10-RA-**	1SBL181024R**10	1,580,700
22	1 -	UA26-30-10-RA-**	1SBL241024R**10	2,318,800
30	1 -	UA30-30-10-RA-**	1SBL281024R**10	3,928,100
40	- -	UA50-30-00-RA-**	1SBL351024R**00	4,194,300
50	- -	UA63-30-00-RA-**	1SBL371024R**00	4,297,700
60	- -	UA75-30-00-RA-**	1SBL411024R**00	4,402,200
70	- -	UA95-30-00-RA-**	1SFL431024R**00	10,437,900
80	- -	UA110-30-00-RA-**	1SFL451024R**00	11,556,600



UA 16-30-10 RA

### Tegangan koil dan kode

Tegangan VAC - 50 Hz	Kode **
24	81
110	84
220 ... 230	80
380 ... 400	85



UA 30-30-10 RA

### Pilihan kontak bantu

Tipe kontaktor	Kontak utama	Kontak bantu	Jumlah maksimum kontak bantu	
			1-pole CA5-**	2-pole CAL
UA16-30-10-RA-**	3 0	1 - -		1 x CAL5-11
UA26-30-10-RA-**	3 0	1 - -		1 hingga 2 x CAL5-11
UA30-30-10-RA-**	3 0	1 - -	1 x CA5-**	+ 1 hingga 2 x CAL5-11
UA50-30-00-RA-**	3 0	- -	1 hingga 2 x CA5-**	+ 1 hingga 2 x CAL5-11
UA63-30-00-RA-**	3 0	- -	1 hingga 2 x CA5-**	+ 1 hingga 2 x CAL5-11
UA75-30-00-RA-**	3 0	- -	1 hingga 2 x CA5-**	+ 1 hingga 2 x CAL5-11
UA95-30-00-RA-**	3 0	- -	1 hingga 2 x CA5-**	+ 1 hingga 2 x CAL18-11
UA110-30-00-RA-**	3 0	- -	1 hingga 2 x CA5-**	+ 1 hingga 2 x CAL18-11

Kontak bantu kontaktor UA/ -RA Tipe kontaktor	Kontak bantu	Tipe	Kode Order	Harga (Rp)
<b>Kontak bantu pasang depan</b>				
UA16...UA110 / -RA	1 -	CA5-10	1SBN010010R1010	78,100
	- 1	CA5-01	1SBN010010R1001	78,100
<b>Kontak bantu pasang samping</b>				
UA16...UA75 / -RA	1 1	CAL5-11	1SBN010020R1011	216,700
UA95 & UA110 / -RA	1 1	CAL18-11	1SFN010720R1011	156,200

## Relai Beban Lebih

T16 - 0.1A hingga 16A untuk kontaktor B

### Spesifikasi

Tegangan operasional	: Hingga 690V
Kelas	: 10A
Fitur	: Manual or automatic reset selectable
	: Phase loss sensitive acc. to IEC/EN 60947-4-1
	: Two electrically isolated auxiliary contacts – 1 N.O. + 1 N.C
	: TEST and STOP function – Trip indication on the front
	: Temperature compensation
	: Suitable for three- and single-phase applications

Tipe kontaktor	Jangkauan penyetelan [A]	Tipe	Kode order	Harga IDR
B6, B7, VB6, VB7	0.10...0.13	T16-0.13	1SAZ711201R1005	622,600
	0.13...0.17	T16-0.17	1SAZ711201R1008	622,600
	0.17...0.23	T16-0.23	1SAZ711201R1009	622,600
	0.23...0.31	T16-0.31	1SAZ711201R1013	622,600
	0.31...0.41	T16-0.41	1SAZ711201R1014	622,600
	0.41...0.55	T16-0.55	1SAZ711201R1017	576,400
	0.55...0.74	T16-0.74	1SAZ711201R1021	576,400
	0.74...1.00	T16-1.0	1SAZ711201R1023	576,400
	1.00...1.30	T16-1.3	1SAZ711201R1025	576,400
	1.30...1.70	T16-1.7	1SAZ711201R1028	576,400
	1.70...2.30	T16-2.3	1SAZ711201R1031	576,400
	2.30...3.10	T16-3.1	1SAZ711201R1033	576,400
	3.10...4.20	T16-4.2	1SAZ711201R1035	576,400
	4.20...5.70	T16-5.7	1SAZ711201R1038	576,400
	5.70...7.60	T16-7.6	1SAZ711201R1040	576,400
	7.60...10.0	T16-10	1SAZ711201R1043	576,400
10.0...13.0	T16-13	1SAZ711201R1045	641,300	
13.0...16.0	T16-16	1SAZ711201R1047	641,300	



T16

## Relai Beban Lebih

TA - 0.1A hingga 200A untuk kontaktor AX

### Spesifikasi

- Tegangan operasional : Hingga 690V
- Kelas : 10A
- Fitur : Manual or automatic reset selectable
- : Phase loss sensitive acc. to IEC/EN 60947-4-1
- : Two electrically isolated auxiliary contacts – 1 N.O. + 1 N.C
- : TEST and STOP function – Trip indication on the front
- : Temperature compensation
- : Suitable for three- and single-phase applications



TA25DU-M



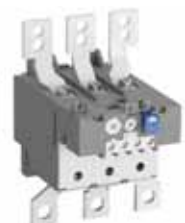
TA42DU-M



TA75DU-M



TA80DU-M



TA110DU-M

Tipe kontaktor	Jangkauan penyetelan [A]	Tipe	Kode order	Harga IDR
AX09 ... AX40	0.10 ... 0.16	TA25DU-0.16M	1SAZ211201R2005	492,800
	0.16 ... 0.25	TA25DU-0.25M	1SAZ211201R2009	492,800
	0.25 ... 0.40	TA25DU-0.4M	1SAZ211201R2013	492,800
	0.40 ... 0.63	TA25DU-0.63M	1SAZ211201R2017	492,800
	0.63 ... 1.00	TA25DU-1.0M	1SAZ211201R2021	492,800
	1.0 ... 1.4	TA25DU-1.4M	1SAZ211201R2023	492,800
	1.3 ... 1.8	TA25DU-1.8M	1SAZ211201R2025	492,800
	1.7 ... 2.4	TA25DU-2.4M	1SAZ211201R2028	492,800
	2.2 ... 3.1	TA25DU-3.1M	1SAZ211201R2031	492,800
	2.8 ... 4.0	TA25DU-4.0M	1SAZ211201R2033	492,800
	3.5 ... 5.0	TA25DU-5.0M	1SAZ211201R2035	492,800
	4.5 ... 6.5	TA25DU-6.5M	1SAZ211201R2038	492,800
	6.0 ... 8.5	TA25DU-8.5M	1SAZ211201R2040	492,800
	7.5 ... 11	TA25DU-11M	1SAZ211201R2043	492,800
AX32 ... AX40	10 ... 14	TA25DU-14M	1SAZ211201R2045	492,800
	13 ... 19	TA25DU-19M	1SAZ211201R2047	558,800
	18 ... 25	TA25DU-25M	1SAZ211201R2051	576,400
	24 ... 32	TA25DU-32M	1SAZ211201R2053	732,600
	18 ... 25	TA42DU-25M	1SAZ311201R2001	1,333,200
	22 ... 32	TA42DU-32M	1SAZ311201R2002	1,333,200
	29 ... 42	TA42DU-42M	1SAZ311201R2003	1,428,900
AX50 ... AX80	29 ... 42	TA75DU-25M	1SAZ321201R2001	1,333,200
	22 ... 32	TA75DU-32M	1SAZ321201R2002	1,333,200
	29 ... 42	TA75DU-42M	1SAZ321201R2003	1,428,900
	36 ... 52	TA75DU-52M	1SAZ321201R2004	1,529,000
	45 ... 63	TA75DU-63M	1SAZ321201R2005	1,696,200
	60 ... 80	TA75DU-80M	1SAZ321201R2006	2,151,600
AX95 ... AX150	29 ... 42	TA80DU-42	1SAZ331201R1003	2,151,600
	36 ... 52	TA80DU-52	1SAZ331201R1004	2,151,600
	45 ... 63	TA80DU-63	1SAZ331201R1005	2,151,600
	60 ... 80	TA80DU-80	1SAZ331201R1006	2,151,600
	65 ... 90	TA110DU-90	1SAZ411201R1001	2,151,600
	80 ... 110	TA110DU-110	1SAZ411201R1002	3,819,200
AX185...AX205, AF190 & AF205	66 ... 90	TA200DU-90	1SAZ421201R1001	7,316,100
	80 ... 110	TA200DU-110	1SAZ421201R1002	7,316,100
	100 ... 135	TA200DU-135	1SAZ421201R1003	7,464,600
	110 ... 150	TA200DU-150	1SAZ421201R1004	7,464,600
	130 ... 175	TA200DU-175	1SAZ421201R1005	8,406,200
	150 ... 200	TA200DU-200	1SAZ421201R1006	8,406,200

## Relai Beban Lebih

TF - 0.1A hingga 142A untuk kontaktor AF

### Spesifikasi

Tegangan operasional	: Hingga 690V
Kelas	: 10 & 10A untuk TF140DU
Fitur	: Manual or automatic reset selectable
	: Phase loss sensitive acc. to IEC/EN 60947-4-1
	: Two electrically isolated auxiliary contacts – 1 N.O. + 1 N.C
	: TEST and STOP function – Trip indication on the front
	: Temperature compensation
	: Suitable for three- and single-phase applications
	: ATEX certification

Tipe kontaktor	Jangkauan penyetelan [A]	Tipe	Kode order	Harga IDR
AF09 ... AF38	0.10...0.13	TF42-0.13	1SAZ721201R1005	492,800
	0.13...0.17	TF42-0.17	1SAZ721201R1008	492,800
	0.17...0.23	TF42-0.23	1SAZ721201R1009	492,800
	0.23...0.31	TF42-0.31	1SAZ721201R1013	492,800
	0.31...0.41	TF42-0.41	1SAZ721201R1014	492,800
	0.41...0.55	TF42-0.55	1SAZ721201R1017	492,800
	0.55...0.74	TF42-0.74	1SAZ721201R1021	492,800
	0.74...1.00	TF42-1.0	1SAZ721201R1023	492,800
	1.00...1.30	TF42-1.3	1SAZ721201R1025	492,800
	1.30...1.70	TF42-1.7	1SAZ721201R1028	492,800
	1.70...2.30	TF42-2.3	1SAZ721201R1031	492,800
	2.30...3.10	TF42-3.1	1SAZ721201R1033	492,800
	3.10...4.20	TF42-4.2	1SAZ721201R1035	492,800
	4.20...5.70	TF42-5.7	1SAZ721201R1038	492,800
	5.70...7.60	TF42-7.6	1SAZ721201R1040	492,800
	7.60...10.0	TF42-10	1SAZ721201R1043	492,800
	10.0...13.0	TF42-13	1SAZ721201R1045	492,800
13.0...16.0	TF42-16	1SAZ721201R1047	558,800	
16.0...20.0	TF42-20	1SAZ721201R1049	576,400	
20.0...24.0	TF42-24	1SAZ721201R1051	576,400	
24.0...29.0	TF42-29	1SAZ721201R1052	732,600	
29.0...35.0	TF42-35	1SAZ721201R1053	739,200	
35.0...38.0	TF42-38	1SAZ721201R1055	739,200	
AF40...AF65	22.0 ... 28.0	TF65-28	1SAZ811201R1001	1,333,200
	25.0 ... 33.0	TF65-33	1SAZ811201R1002	1,333,200
	30.0 ... 40.0	TF65-40	1SAZ811201R1003	1,428,900
	36.0 ... 47.0	TF65-47	1SAZ811201R1004	1,529,000
	44.0 ... 53.0	TF65-53	1SAZ811201R1005	1,696,200
	50.0 ... 60.0	TF65-60	1SAZ811201R1006	1,696,200
	57.0 ... 67.0	TF65-67	1SAZ811201R1007	1,696,200
AF80...AF96	40.0 ... 51.0	TF96-51	1SAZ911201R1001	2,151,600
	48.0 ... 60.0	TF96-60	1SAZ911201R1002	2,151,600
	57.0 ... 68.0	TF96-68	1SAZ911201R1003	2,151,600
	65.0 ... 78.0	TF96-78	1SAZ911201R1004	2,151,600
	75.0 ... 87.0	TF96-87	1SAZ911201R1005	2,151,600
	84.0 ... 96.0	TF96-96	1SAZ911201R1006	2,151,600
AF116...AF140	66 ... 90	TF140DU-90	1SAZ431201R1001	3,545,300
	80 ... 110	TF140DU-110	1SAZ431201R1002	3,824,700
	100 ... 135	TF140DU-135	1SAZ431201R1003	4,056,800
	110 ... 142	TF140DU-142	1SAZ431201R1004	4,288,900



TF42



TF140DU

## Relai Beban Lebih

EF - Elektronik relai 0.1A hingga 1250A untuk kontaktor AX & AF

### Spesifikasi

- Tegangan operasional : Hingga 690V dan 1000V
- Kelas : 10E, 20E, 30E
- Fitur : Manual or automatic reset selectable
- : Phase loss sensitive acc. to IEC/EN 60947-4-1
- : Two electrically isolated auxiliary contacts – 1 N.O. + 1 N.C
- : TEST and STOP function – Trip indication on the front
- : Temperature compensation from -25 ... +70 °C
- : Suitable for three- and single-phase applications
- : Self-supplied devices
- : ATEX certification



EF 19



EF 205



EF 750-800

Tipe kontaktor	Jangkauan penyetelan [A]	Tipe	Kode order	Harga IDR
AX09 ... AX18, B6, B7	0.1 ... 0.32	E16DU-0.32	1SAX111001R1101	2,943,600
AX09 ... AX18, B6, B7	0.3 ... 1.0	E16DU-1.0	1SAX111001R1102	2,943,600
AX09 ... AX18, B6, B7	0.8 ... 2.7	E16DU-2.7	1SAX111001R1103	2,943,600
AX09 ... AX18, B6, B7	1.9 ... 6.3	E16DU-6.3	1SAX111001R1104	3,272,500
AX09 ... AX18, B6, B7	5.7 ... 18.9	E16DU-18.9	1SAX111001R1105	3,272,500
AF09 ... AF26	0.10 ... 0.32	EF19-0.32	1SAX121001R1101	2,943,600
AF09 ... AF26	0.30 ... 1.00	EF19-1.0	1SAX121001R1102	2,943,600
AF09 ... AF26	0.80 ... 2.70	EF19-2.7	1SAX121001R1103	2,943,600
AF09 ... AF26	1.90 ... 6.30	EF19-6.3	1SAX121001R1104	3,272,500
AF09 ... AF26	5.70 ... 18.9	EF19-18.9	1SAX121001R1105	3,272,500
AF26 ... AF38	9.00 ... 30.0	EF45-30	1SAX221001R1101	4,352,700
AF26 ... AF38	15.0 ... 45.0	EF45-45	1SAX221001R1102	5,254,700
AX32 ... AX40	9 ... 30	E45DU-30	1SAX211001R1101	-
AX32 ... AX40	15 ... 45	E45DU-45	1SAX211001R1102	-
AF40, AF52, AF65	20 ... 56	EF65-56	1SAX331001R1102	6,008,200
AF40, AF52, AF65	25 ... 70	EF65-70	1SAX331001R1101	6,008,200
AF80, AF96	36 ... 100	EF96-100	1SAX341001R1101	7,342,500
AX50 ... AX80	27 ... 80	E80DU-80	1SAX311001R1101	-
AX95 ... AX150	50 ... 140	E140DU-140	1SAX321001R1101	-
AF116, AF140, AF146	54 ... 150	EF146-150	1SAX351001R1101	8,158,700
AX185 ... AX205, AF145, AF185, AF190, AF205	63 ... 210	EF205-210	1SAX531001R1101	9,641,500
AX260 ... AX370, AF210, AF260, AF265, AF300, AF305, AF370	115 ... 380	EF370-380	1SAX611001R1101	10,402,700
AF400, AF460	150 ... 500	EF460-500	1SAX721001R1101	21,619,400
AF580, AF750	250 ... 800	EF750-800	1SAX821001R1101	27,516,500
AF1350, AF1650, AF2050	375 ... 1250	EF1250DU-1250	1SFAT739001R1001	34,918,400

Untuk produk yang harganya belum tercantum, harap menghubungi kami

## Relai Beban Lebih

Aksesoris Relai Beban Lebih T16, TA, TF dan EF

Aksesoris	Tipe Overload relay	Tegangan kontrol	Tipe	Kode order	Harga IDR
Single mounting kit	E16DU		DB16E	1SAX101110R0001	765,600
	TA25DU-0.16M ... 25M		DB25/25A	1SAZ201108R0001	200,200
	TA25DU-32M		DB25/32A	1SAZ201108R0002	200,200
	TA42DU-M / TA75DU-M/TA80DU		DB80	1SAZ301110R0001	674,300
	TA110DU / TA200DU		DB200	1SAZ401110R0001	634,700
	T16		DB16	1SAZ701901R0001	216,700
	TF42		DB42	1SAZ701902R0001	200,200
	TF65		DB65	1SAZ801901R1001	1,117,600
	TF96, EF96		DB96	1SAZ901901R1001	1,117,600
	EF19		DB19EF	1SAX101910R1001	764,500
	EF45		DB45EF	1SAX201910R0001	1,039,500
Remote reset coil	TA25DU-M	24/48 V, 50/60 Hz	DR25-A-24	1SAZ201504R0001	569,800
	TA25DU-M	110 V, 50/60 Hz	DR25-A-110	1SAZ201504R0003	599,500
	TA25DU-M	220/380 V, 50/60 Hz	DR25-A-220/380	1SAZ201504R0005	569,800
Reset push button	TA25DU-M / TA42DU -M / TA75DU -M		KPR-101L	1SFA616162R1014	96,800
	E16, EF, TF, T16, TA200				
	TA80DU / TA110DU / TA200DU				
	EF205, EF370				



DB25/25A



DB80



DR25-A-220/380



KPR-101L



## Softstarter

### ABB Softstarter - Range lengkap

#### PSR - Compact range

Softstarter PSR adalah yang paling compact dari semua range, memungkinkan untuk mendesign komponen starting motor yang lebih ringkas. Dilengkapi dengan by-pass bisa mengurangi energy loss dan membuat connection lebih mudah dan hanya dengan 3 potentiometer membuat setting jauh lebih mudah. Dan juga memberikan start stop yang soft untuk semua aplikasi.

#### PSE - Efficient range

Softstarter PSE adalah softstarter dengan design yang compact pertama kali yang dilengkapi electronic overload untuk proteksi motor dan torsi kontrol untuk pengontrolan pump yang sangat baik. Dilengkapi dengan display dan keypad sehingga bisa memberikan semua kebutuhan informasi selama ramping dan running.

#### PSTX - Advanced range

Softstarter PSTX adalah softstarter yang paling advance dalam range yang dilengkapi dengan hampir semua fitur yang dibutuhkan dengan pengoperasian yang mudah melalui display LCD dan keypad. Semua proteksi yang advance untuk motor, softstarter, dan beban memastikan suatu operation yang bebas masalah. Fungsi torsi kontrol sudah dikembangkan dan dites bersama-sama dengan pump manufacturer untuk menghasilkan proses stop dari pump tanpa adanya water hammering dan pressure surge.



#### Aplikasi umum

Normal duty	Heavy duty
Bow thrusters	Centrifugal fan
Centrifugal pump	Conveyor belt (long)
Compressors	Crusher
Conveyor belt (short)	Stirrer
Elevator	Sawmill
Escalator	Mixer

## Softstarter

### ABB Softstarter - Range lengkap

Fitur softstarter	PSR	PSE	PSTX
Current limit	–	●	●
Current limit ramp and dual current limit	–	–	●
Electronic motor overload protection	–	●	●
Dual overload protection	–	–	●
Underload protection	–	●	●
Power factor underload protection	–	–	●
Locked rotor protection	–	●	●
Current/Voltage imbalance protection	–	–	●
Phase reversal protection	–	–	●
Customer defined protection	–	–	●
Motor heating	–	–	●
PTC/PT100 input for motor protection	–	–	●
Oversvoltage/undersvoltage protection	–	–	●
Earth-fault protection	–	–	●
Built-in bypass	●	●	●
Inside-delta connection possible	–	–	●
Graphical display and keypad	–	●	●
Detachable keypad	–	–	●
Motor runtime and start count	–	–	●
Programmable warning functions	–	–	●
Diagnostics	–	–	●
Overload time-to-trip	–	–	●
Overload time-to-cool	–	–	●
Analog output	–	●	●
Fieldbus communication	○	●	●
Event log	–	○	●
Multiple languages	–	–	17
Electricity metering	–	–	●
Torque control	–	●	●
Torque limit	–	–	●
Coated PCBA	–	●	●
Limp mode	–	–	●
Jog with slow speed forward/ reverse	–	–	●
Dynamic brake	–	–	●
Stand still brake	–	–	●
Sequence start	–	–	●
Full voltage start	–	–	●
Kick start	–	●	●
Automatic pump cleaning	–	–	●

● = standard   ○ = option   – = tidak tersedia

## Softstarter PSR

The compact range, Normal starts, class 10, in-line

### Spesifikasi

Kapasitas start	: 4 x Ie untuk 6 detik
Arus operasional	: 3 ... 105 A
Tegangan operasional	: 208 ... 600 VAC
Tegangan kontrol	: 100...240 V AC, 50/60 Hz
Soft start/Soft stop	: Voltage ramp (dengan menaikkan atau menurunkan tegangan secara linier)
Bypass	: Termasuk bypass, mengurangi energy loss
Proteksi arus atau beban lebih	: Terpisah, menggunakan MMS116/132/165 atau TOR/EOR
Fan	: Dipesan sebagai aksesoris terpisah
Suhu kerja	: -25...+60 °C (40...60 °C: Reduce Ie with 0.8%/°C)
Fitur lain	: 2 LED indikator, 3 potensiometer untuk pengaturan, 1 relay keluaran

Daya motor			Tipe	Koder order	Harga (Rp)
230 V kW	400 V kW	Ie A			
0.75	1.5	3.9	PSR3-600-70	1SFA896103R7000	2,788,500
1.5	3	6.8	PSR6-600-70	1SFA896104R7000	3,033,800
2.2	4	9	PSR9-600-70	1SFA896105R7000	3,523,300
3	5.5	12	PSR12-600-70	1SFA896106R7000	3,676,200
4	7.5	16	PSR16-600-70	1SFA896107R7000	4,594,700
5.5	11	25	PSR25-600-70	1SFA896108R7000	4,748,700
7.5	15	30	PSR30-600-70	1SFA896109R7000	6,127,000
7.5	18.5	37	PSR37-600-70	1SFA896110R7000	8,729,600
11	22	45	PSR45-600-70	1SFA896111R7000	9,496,300
15	30	60	PSR60-600-70	1SFA896112R7000	11,332,200
22	37	72	PSR72-600-70	1SFA896113R7000	13,630,100
22	45	85	PSR85-600-70	1SFA896114R7000	15,621,100
30	55	105	PSR105-600-70	1SFA896115R7000	16,385,600

Aksesoris	Tipe PSR	Tipe MMS	Tipe	Kode order	Harga (Rp)
Connection kit	PSR3...16	MS116/132	PSR16-MS116	1SFA896211R1001	144,100
	PSR25...30	MS132	PSR30-MS132	1SFA896212R1001	311,300
	PSR37...45	MS165	PSR45-MS165	1SFA896216R1001	128,700
	PSR60...72	MS165	PSR60-MS165	1SFA896215R1001	154,000
Fan	PSR3..45		PSR-FAN3-45A	1SFA896311R1001	1,001,000
	PSR60..105		PSR-FAN60-105A	1SFA896313R1001	1,288,100



Softstarter PSR



MS116+PSR16



PSR30-MS132



PSR-FAN60-105A

## Softstarter PSE

The efficient range, Normal starts, class 10, in-line

### Spesifikasi

Kapasitas start	: 4 x Ie untuk 10 detik
Arus operasional	: 18 ... 370 A
Tegangan operasional	: 208 ... 600 VAC
Tegangan kontrol	: 100...250 V AC, 50/60 Hz
Soft start/Soft stop	: Voltage ramp (dengan menaikkan atau menurunkan tegangan secara linier) dan Torque control (untuk menghindari water hammer)
Bypass	: Termasuk bypass, mengurangi energy loss
Proteksi	: Current limit, underload, overload, locked rotor protection
Layar	: Layar iluminasi dan keypad
Fan	: Termasuk, dikontrol oleh thermostat
Suhu kerja	: -25...+60 °C (40...60 °C: Reduce Ie with 0.6%/°C)
Komunikasi	: Modbus RTU
Fitur lain	: Kick start, coated PCB, 4 LED indikator, 3 relay keluaran, analog output

	Daya motor		Tipe	Koder order	Harga (Rp)
230 V kW	400 V kW	Ie A			
4	7.5	18	PSE18-600-70	1SFA897101R7000	12,251,800
5.5	11	25	PSE25-600-70	1SFA897102R7000	13,630,100
7.5	15	30	PSE30-600-70	1SFA897103R7000	14,701,500
9	18.5	37	PSE37-600-70	1SFA897104R7000	16,539,600
11	22	45	PSE45-600-70	1SFA897105R7000	17,765,000
15	30	60	PSE60-600-70	1SFA897106R7000	20,828,500
18.5	37	72	PSE72-600-70	1SFA897107R7000	22,051,700
22	45	85	PSE85-600-70	1SFA897108R7000	24,196,700
30	55	106	PSE105-600-70	1SFA897109R7000	26,953,300
40	75	143	PSE142-600-70	1SFA897110R7000	31,548,000
45	90	171	PSE170-600-70	1SFA897111R7000	39,204,000
59	110	210	PSE210-600-70-1	1SFA897112R7001	41,042,100
75	132	250	PSE250-600-70-1	1SFA897113R7001	47,626,700
90	160	300	PSE300-600-70-1	1SFA897114R7001	60,643,000
110	200	370	PSE370-600-70-1	1SFA897115R7001	71,975,200

Untuk aplikasi Heavy-duty, harap pilih kapasitas softstarter 1 tingkat lebih besar. (Heavy-duty starts, class 30, in-line)

Aksesoris	Tipe PSE		Tipe	Kode order	Harga (Rp)
Terminal enlargements	PSE18 ... PSE105	ø 6.5 & 15x3	LW110	1SFN074307R1000	225,500
	PSE142 ... PSE170	ø 10.5 & 17.5x5	LW185	1SFN074707R1000	444,400
	PSE210 ... PSE370	ø 10.5 & 20x5	LW300	1SFN075107R1000	1,703,900
Terminal shrouds, Pkg qty = 2 pcs	PSE18... PSE105	Screw terminals	LT140-30L	1SFN124203R1000	366,300
	PSE142... PSE170	Short for use with cable clamps	LT185-AC	1SFN124701R1000	322,300
	PSE142... PSE170	Long for use with compression lugs	LT185-AL	1SFN124703R1000	495,000
	PSE210... PSE370	Short for use with cable clamps	LT300-AC	1SFN125101R1000	322,300
	PSE210... PSE370	Long for use with compression lugs	LT300-AL	1SFN125103R1000	495,000
External keypad including a 3m cable	PSE18 ... PSE370		PSEEK	1SFA897100R1001	3,434,200
USB cable for Service Engineer Tool	PSE18 ... PSE370		PSECA	1SFA897201R1001	2,175,800



LW300



LT185-AL



LT185-AC



PSEEK



PSECA



PS-FBPA

## Softstarter PSTX

The advanced range, Normal starts, class 10, in-line

### Spesifikasi

Kapasitas start	: 4 x Ie untuk 10 detik
Arus operasional	: 30 ... 1250 A (inside-delta: 2160 A)
Tegangan operasional	: 208 ... 600 VAC, tersedia tipe PSTX hingga 690 V
Tegangan kontrol	: 100...250 V AC, 50/60 Hz
Koneksi	: In-line atau Inside-delta
Bypass	: Termasuk bypass, mengurangi energy loss
Proteksi	: Current limit, underload, overload, locked rotor (lebih lengkap lihat di halaman depan)
Layar	: Layar LCD dengan grafik dan keypad, dapat dilepas
Fan	: Termasuk, dikontrol oleh thermostat
Suhu kerja	: -25...+60 °C (40...60 °C: Reduce Ie with 0.8%/°C)
Komunikasi	: Modbus RTU, tersedia adapter untuk protokol lainnya
Fitur lain	: Torque control, Jog, coated PCB, 4 LED indikator, 3 relay keluaran, analog output

Daya motor		Tipe		Koder order	Harga (Rp)	
Koneksi SS In-Line		Koneksi SS Inside-Delta				
400 V kW	Ie A	400 V kW	Ie A			
15	30	25	52	PSTX30-600-70	1SFA898103R7000	20,287,300
18.5	37	30	64	PSTX37-600-70	1SFA898104R7000	23,656,600
22	45	37	76	PSTX45-600-70	1SFA898105R7000	26,646,400
30	60	55	105	PSTX60-600-70	1SFA898106R7000	28,943,200
37	72	59	124	PSTX72-600-70	1SFA898107R7000	32,160,700
45	85	75	147	PSTX85-600-70	1SFA898108R7000	39,050,000
55	106	90	181	PSTX105-600-70	1SFA898109R7000	39,816,700
75	143	132	245	PSTX142-600-70	1SFA898110R7000	44,410,300
90	171	160	300	PSTX170-600-70	1SFA898111R7000	60,337,200
110	210	184	360	PSTX210-600-70	1SFA898112R7000	67,380,500
132	250	220	430	PSTX250-600-70	1SFA898113R7000	69,985,300
160	300	257	515	PSTX300-600-70	1SFA898114R7000	87,289,400
200	370	355	640	PSTX370-600-70	1SFA898115R7000	107,197,200
250	470	450	814	PSTX470-600-70	1SFA898116R7000	139,968,400
315	570	540	987	PSTX570-600-70	1SFA898117R7000	142,417,000
400	720	710	1247	PSTX720-600-70	1SFA898118R7000	224,499,000
450	840	800	1455	PSTX840-600-70	1SFA898119R7000	257,270,200
560	1050	1000	1810	PSTX1050-600-70	1SFA898120R7000	278,709,200
710	1250	1200	2160	PSTX1250-600-70	1SFA898121R7000	336,901,400

Untuk aplikasi Heavy-duty, harap pilih kapasitas softstarter 1 tingkat lebih besar. (Heavy-duty starts, class 30, in-line)

## Softstarter PSTX

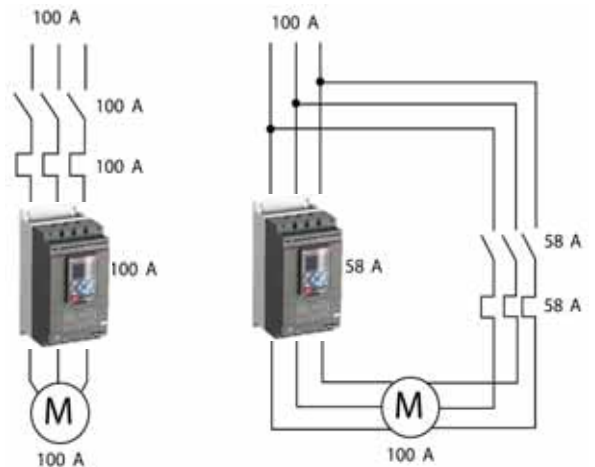
The advanced range, Normal starts, class 10, in-line

Aksesoris	Tipe PSTX	Tipe	Kode order	Harga (Rp)
Terminal enlargements	PSTX30 ... PSTX105 $\varnothing$ 6.5 & 15x3	LW110	1SFN074307R1000	225,500
	PSTX142 ... PSTX170 $\varnothing$ 10.5 & 17.5x5	LW205	1SFN074807R1000	411,400
	PSTX210 ... PSTX370 $\varnothing$ 10.5 & 20x5	LW370	1SFN075407R1000	1,870,000
	PSTX470 ... PSTX570 $\varnothing$ 10.5 & 25x5	LW460	1SFN075707R1000	2,006,400
	PSTX720 ... PSTX840 $\varnothing$ 13 & 40x6	LW750	1SFN076107R1000	2,811,600
Terminal shrouds, Pkg qty = 2 pcs	PSTX142 ... PSTX170 short for use with cable clamps	LT205-30C	1SFN124801R1000	298,100
	PSTX142 ... PSTX170 long for use with compression lugs	LT205-30L	1SFN124803R1000	458,700
	PSTX210 ... PSTX370 short for use with cable clamps	LT370-30C	1SFN125401R1000	298,100
	PSTX210 ... PSTX370 long for use with compression lugs	LT370-30L	1SFN125403R1000	458,700
	PSTX470 ... PSTX570 short for use with cable clamps	LT460-AC	1SFN125701R1000	564,300
	PSTX470 ... PSTX570 long for use with compression lugs	LT460-AL	1SFN125703R1000	1,322,200
	PSTX720 ... PSTX1250 short for use with cable clamps	LT750-AC	1SFN126101R1000	482,900
PSTX720 ... PSTX1250 long for use with compression lugs	LT750-AL	1SFN126103R1000	1,378,300	
USB-cable for PSTX-PC connection	PSTX USB Cable	PSCA-1	1SFA899314R1001	543,400

4



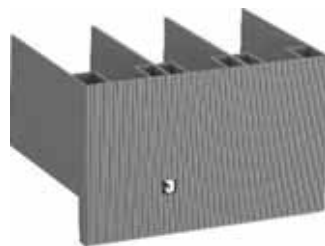
Softstarter PSTX



Koneksi In-Line (kiri)  
Koneksi Inside-Delta (kanan)



LW370



LT370-30L



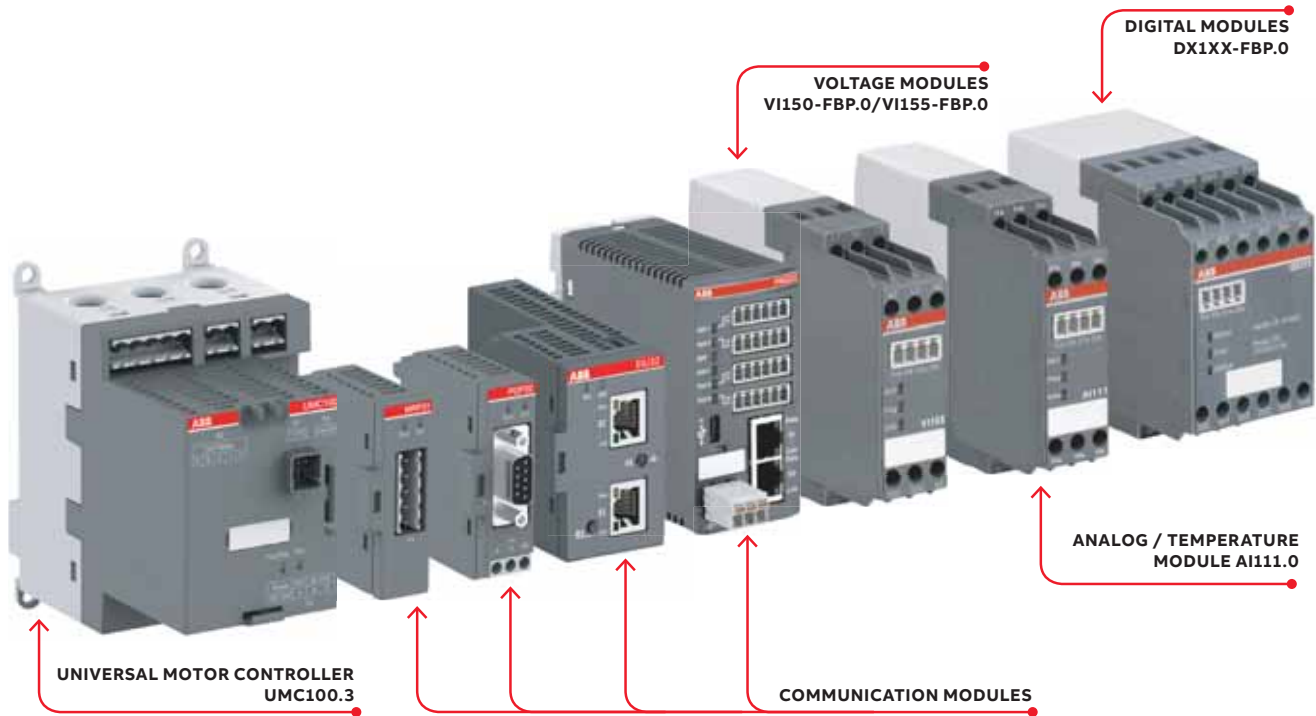
LT370-30C



ModbusTCP, Profinet, BACnetIP

# Universal Motor Controller

## UMC100.3 Universal Motor Controller



4

The Universal Motor Controller UMC100.3 delivers all the reliability and protection you expect while driving an intelligent data hub for predictive applications, maintenance and asset management. Outstanding user experience for smooth running of your operations, paired with unrivalled communication options, simple configuration and market leading software.



The UMC100.3 Motor Controller – future ready, and ready to take motor control to the next level.

### Communication modules

The UMC100.3 is compatible with more communication protocols than any other motor controller. Serial communication reduces wiring and installation and provides much more data. This allows you to have software that enables predictive maintenance and acts as an intelligent data hub. And the more data you have, the quicker you can identify errors.

Modules compatible with:



Modbus®



### Expansion modules

Flexibility is assured with a wide variety of expansion modules.

- **Analog / Temperature module AI111.0**  
Expand the UMC with analog and temperature inputs
- **Digital modules DX1XX-FBP.0**  
Compact modules that increase the number of digital inputs and outputs
- **Voltage modules VI150-FBP.0/VI155-FBP.0**  
Voltage modules for determining phase voltages, power factor, active power, apparent power, energy, harmonic content (THD)

## Pilot Devices, 22 mm

### Pendahuluan

Pilot devices adalah bagian dari program comprehensive ABB produk Low Voltage dan System untuk gedung, industri dan OEM Produk ini sudah banyak terjual melalui channel partner luar seperti distributor, system integrator, panel builder. Produk kami memenuhi semua persyaratan dari standard nasional dan internasional.

### Pilot Devices

ABB Pilot device menawarkan dua tipe : Modular range dan Compact range.

\*] Modular range, menampilkan range yang lebar dari operator yang dapat dikombinasikan dengan fleksibilitas tinggi.

Desain "Snap-on" yang unik menjadikan pemasangan yang simple dan cepat.

\*] Compact range, menampilkan bentuk "all-in-one" dan desain yang kuat sehingga mempermudah pemasangan.



4

### IP67 - IP 69K

Seluruh ABB Compact range, dan beberapa dari Modular range memiliki IP67 dan IP69K. Hal ini menunjukkan bahwa produk tersebut didesain untuk tahan dalam "periodic submersion" dan juga terhadap tekanan tinggi, "high temperature spraydown".



IP69K: High pressure, high temperature spraydown at multiple angles and rotation



IP67: Submersion to one meter for 30 minutes

### Wiping action

Kontak blok dari Compact dan Modular range memiliki "self-cleaning" kontak dengan built-in "wiping action". Kontak yang bergerak berputar-putar dan bergeser di sisi samping ketika menyentuh "fixed kontak". Hal ini memastikan kontak yang bersih, bagus bahkan pada aplikasi dengan penggunaan yang kadang kala atau periodik.

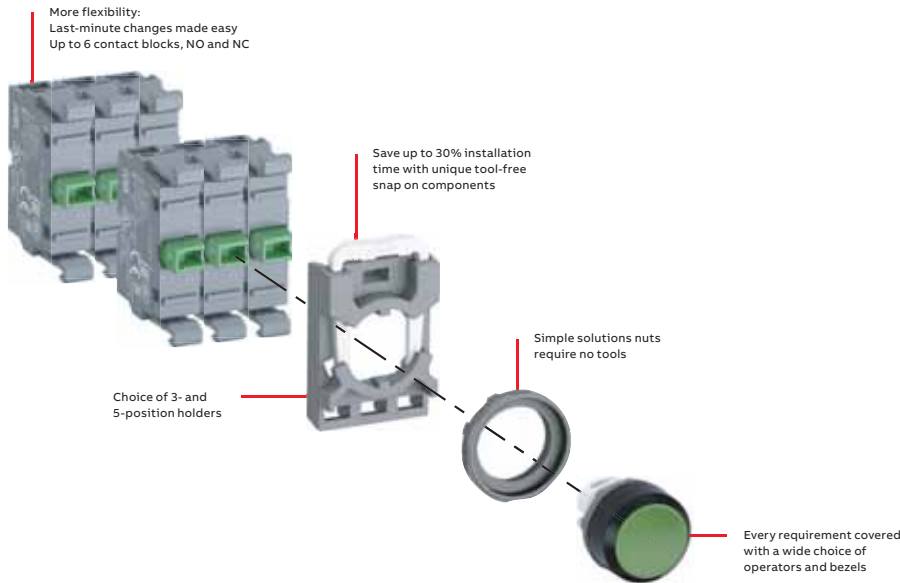


ABB ada di 100 negara lebih dan Pilot device ini memenuhi sebagian besar standar nasional dan internasional.





## Pilot Devices - Modular range



### Spesifikasi

- Ukuran : 22mm - Pushbutton, Selector switch, Pilot light  
40mm - Emergency Stop
- Jenis material : Polycarbonate
- Indeks proteksi (depan) : IP66 (IEC)
- : Type 1, 3R, 4, 4X, 12, 13 (UL/CSA)
- Suhu sekitar saat operasi : -25 to +70 °C

Operator	Penjelasan	Warna	Tipe	Kode order	Harga (Rp)	MOQ
Flush Pushbutton	Momentary	Merah	MP1-10R	1SFA611100R1001	64,900	10
	Momentary	Hijau	MP1-10G	1SFA611100R1002	64,900	10
	Momentary - Illuminated	Merah	MP1-11R	1SFA611100R1101	163,900	10
	Momentary - Illuminated	Hijau	MP1-11G	1SFA611100R1102	163,900	10
	Maintained	Merah	MP2-10R	1SFA611101R1001	188,100	10
	Maintained	Hijau	MP2-10G	1SFA611101R1002	188,100	10
Double pushbuttons	I - O Extended lower button (Illuminasi)	Hijau-Merah-Merah	MPD13-11R	1SFA611142R1101	247,500	10
Pilot Light	Merah	Merah	ML1-100R	1SFA611400R1001	74,800	10
	Hijau	Hijau	ML1-100G	1SFA611400R1002	74,800	10
	Kuning	Kuning	ML1-100Y	1SFA611400R1003	74,800	10
Emergency Stop	Twist Release	Merah	MPET4-10R	1SFA611523R1001	265,100	1
	Pull Release	Merah	MPEP4-10R	1SFA611524R1001	277,200	1
	Key code 455	Merah	MPEK4-11R	1SFA611525R1101	555,500	1
Selector Switch	2 Posisi B, C / Maintained	Hitam	M2SS1-10B	1SFA611200R1006	136,400	10
	3 Posisi A, B, C / Maintained	Hitam	M3SS1-10B	1SFA611210R1006	147,400	10
Potensiometer	5 kΩ	Hitam	MT-105B	1SFA611410R1056	852,500	1
	10 kΩ	Hitam	MT-110B	1SFA611410R1106	852,500	1
	50 kΩ	Hitam	MT-150B	1SFA611410R1506	986,700	1
Reset Pushbutton, Flush	R	Biru	KPR3-101L	1SFA616162R1014	96,800	10
Flexible Joint	Flexible Joint		KA1-8047	1SFA616920R8047	30,800	10



## Holder & Kontak Blok

### Spesifikasi

Arus kontak (Ith)	: 10A
Arus kontak (AC15, 230V)	: 6A
Jumlah kontak maksimum	: 6 kontak (3+3 kontak)
Masa hidup mekanis	: 10 juta operasi
Suhu sekitar saat operasi	: -25 to +70 °C
Jenis lampu	: LED
Masa hidup hingga kecerahan turun menjadi 50%	: 50.000 h
Toleransi tegangan lampu LED	: -30 to +10%

Holder & Blok	Penjelasan	Tipe	Kode order	Harga (Rp)	MOQ
Holder termasuk kontak blok	1NO	MCBH-10	1SFA611605R1101	62,700	10
	1NC	MCBH-01	1SFA611605R1110	62,700	10
	2NC	MCBH-02	1SFA611605R1120	93,500	10
	2NO	MCBH-20	1SFA611605R1102	93,500	10
	1NO + 1NC	MCBH-11	1SFA611605R1111	93,500	10
Holder	Holder untuk 3 blok	MCBH-00	1SFA611605R1100	29,700	10
	Holder untuk 5 blok (1)	MCBH5-00	1SFA611601R1100	48,400	10
Kontak blok	1NO	MCB-10	1SFA611610R1001	40,700	10
	1NC	MCB-01	1SFA611610R1010	40,700	10
Double kontak blok (2)	2NO	MCB-20	1SFA611610R1002	81,400	10
	2NC	MCB-02	1SFA611610R1020	81,400	10
	1NO + 1NC	MCB-11	1SFA611610R1011	81,400	10

Blok LED	Tegangan lampu	Tipe	Kode order	Harga (Rp)	MOQ
LED	12 V DC	MLBL-00*	1SFA611621R100*	165,000	10
	24 V AC / DC	MLBL-01*	1SFA611621R101*	165,000	10
	48 V AC/DC	MLBL-02*	1SFA611621R102*	165,000	10
	110-130 V AC	MLBL-04*	1SFA611621R104*	165,000	10
	110-130 V DC	MLBL-05*	1SFA611621R105*	165,000	10
	220 V DC	MLBL-06*	1SFA611621R106*	165,000	10
	230 V AC	MLBL-07*	1SFA611621R107*	165,000	10
	380 V AC	MLBL-08*	1SFA611621R108*	165,000	10

### Kode warna Blok LED

Tipe Warna	Kode tipe *	Kode order *
Merah	R	1
Hijau	G	2
Kuning	Y	3
Biru	L	4
Putih	W	5

Contoh : Pilot light warna kuning, tegangan 230VAC = MLBL-07Y - 1SFA611621R1073

(1)Catatan : Dibutuhkan double kontak blok pada posisi samping

(2)Catatan : Digunakan pada posisi 4 & 5 pada holder MCBH5-00.

MOQ : Minimum Order Quantity, berlaku kelipatan



MCBH-00



MCB-10



MCB-20



MLBL-07\*

## Pilot Devices - Compact range

### Spesifikasi

Ukuran	: 22mm - Pushbutton, Pilot light, Selector switch, Buzzer : 40mm - Emergency stop
Jenis material	: Polycarbonate
Indeks proteksi (depan)	: IP66, IP67, IP69K (IEC), khusus MEP** hanya IP66. : Type 1, 3R, 4, 4X, 12, 13 (UL/CSA)
Arus kontak (Ith)	: 5A
Arus kontak (AC15, 240V)	: 1A
Masa hidup mekanis	: 500000 operasi - Pushbutton : 50000 operasi - Emergency Stop : 500000 operasi - Selector Switch
Suhu sekitar saat operasi	: -25 to +70 °C
Jenis lampu	: LED
Masa hidup hingga kecerahan turun menjadi 50%	: 50.000 jam operasi
Toleransi tegangan lampu LED	: -30 to +10%
Tingkat suara Buzzer	: ≥ 80 db / 10 cm

Jenis	Penjelasan	Warna	Kontak	Tegangan lampu	Tipe	Kode order	Harga (Rp)	MOQ	
Flush pushbutton	Momentary	Hijau	1 NO		CP1-10G-10	1SFA619100R1012	69,300	10	
		Hijau	2 NO		CP1-10G-20	1SFA619100R1022	116,600	10	
		Merah	1 NC		CP1-10R-01	1SFA619100R1041	69,300	10	
		Merah	2 NC		CP1-10R-02	1SFA619100R1051	116,600	10	
		Merah	1 NO + 1 NC		CP1-10R-11	1SFA619100R1071	116,600	10	
		Hijau	1 NO + 1 NC		CP1-10G-11	1SFA619100R1072	116,600	10	
	Maintained	Hijau	1 NO		CP2-10G-10	1SFA619101R1012	91,300	10	
		Merah	1 NC		CP2-10R-01	1SFA619101R1041	91,300	10	
	Momentary - Illuminated	Hijau	1 NO		24 V AC / DC	CP1-11G-10	1SFA619100R1112	156,200	10
		Merah	1 NC		24 V AC / DC	CP1-11R-01	1SFA619100R1141	156,200	10
		Hijau	1 NO		220 V AC / DC	CP1-13G-10	1SFA619100R1312	156,200	10
		Merah	1 NC		220 V AC / DC	CP1-13R-01	1SFA619100R1341	156,200	10
Emergency stop	Twist release	Merah	1 NC		CE4T-10R-01	1SFA619550R1041	144,100	1	
		Merah	2 NC		CE4T-10R-02	1SFA619550R1051	159,500	1	
		Merah	1 NO + 1NC		CE4T-10R-11	1SFA619550R1071	159,500	1	
	Pull release	Merah	2 NC		CE4P-10R-02	1SFA619551R1051	159,500	1	
		Merah	1 NO + 1NC		CE4P-10R-11	1SFA619551R1071	159,500	1	
	Key release : Ronis 455, key code 71	Merah	2 NC		CE4K1-10R-02	1SFA619552R1051	255,200	1	
Merah	1 NO + 1NC		CE4K1-10R-11	1SFA619552R1071	255,200	1			
Selector switch	2 Posisi B, C / Maintained	Hitam	1 NO		C2SS1-10B-10	1SFA619200R1016	100,100	10	
		Hitam	2 NO		C2SS1-10B-20	1SFA619200R1026	110,000	10	
		Hitam	1 NO + 1NC		C2SS1-10B-11	1SFA619200R1076	110,000	10	
	3 Posisi A, B, C / Maintained	Hitam	2 NO		C3SS1-10B-20	1SFA619210R1026	127,600	10	
		Hitam	1 NO + 1NC		C3SS1-10B-11	1SFA619210R1076	127,600	10	
Pilot Light		R/G/Y/L/C		12 V DC	CL2-501*	1SFA619403R501*	189,200	10	
		R/G/Y/L/C		24 V AC / DC	CL2-502*	1SFA619403R502*	81,400	10	
		R/G/Y/L/C		48 ... 60 V AC / DC	CL2-507*	1SFA619403R507*	189,200	10	
		R/G/Y/L/C		110 ... 130 V AC	CL2-513*	1SFA619403R513*	81,400	10	
		R/G/Y/L/C		110 ... 130 V DC	CL2-515*	1SFA619403R515*	81,400	10	
		R/G/Y/L/C		220 V DC	CL2-520*	1SFA619403R520*	81,400	10	
		R/G/Y/L/C		230 V AC	CL2-523*	1SFA619403R523*	81,400	10	
		R/G/Y/L/C		380 ... 415 V AC	CL2-542*	1SFA619403R542*	199,100	10	

## Pilot Devices - Compact range

Jenis	Penjelasan	Warna	Kontak	Tegangan	Tipe	Kode order	Harga	MOQ (Rp)
Buzzer	Continuous	Hitam		24 VAC/DC	CB1-620B	1SFA619600R6206	873,400	10
	Continuous	Hitam		230 VAC	CB1-623B	1SFA619600R6236	873,400	10
Boks kosong**	Lubang 1	Kuning			MEPY1-0	1SFA611821R1000	222,200	1
	Lubang 1	Abu-abu			MEP1-0	1SFA611811R1000	301,400	1
	Lubang 2	Abu-abu			MEP2-0	1SFA611812R1000	497,200	1
	Lubang 3	Abu-abu			MEP3-0	1SFA611813R1000	530,200	1
	Lubang 4	Abu-abu			MEP4-0	1SFA611814R1000	612,700	1
	Lubang 6	Abu-abu			MEP6-0	1SFA611816R1000	742,500	1
Shroud	untuk MEP1 atau Pintu Panel	Kuning			MA1-8053	1SFA611920R8053	97,900	10
Lockable Shroud	untuk pushbutton atau Selector Switch	Bening			MA1-8153	1SFA611920R8153	159,500	10

\*\* Catatan: Untuk penggunaan Modular range maka kontak blok harus pakai tipe MCB-10B dan atau MCB-01B, BlokLED harus pakai tipe MLBL-\*\*B.

\*\* Catatan: Untuk penggunaan Compact range tidak ada aksesoris tambahan

### Kode warna Pilot light

Tipe Warna	Kode tipe *	Kode order *
Merah	R	1
Hijau	G	2
Kuning	Y	3
Biru	L	4
Clear	C	8

Contoh : Pilot light warna kuning, tegangan 230VAC = CL2-523Y - 1SFA619403R5233

MOQ : Minimum Order Quantity, berlaku kelipatan



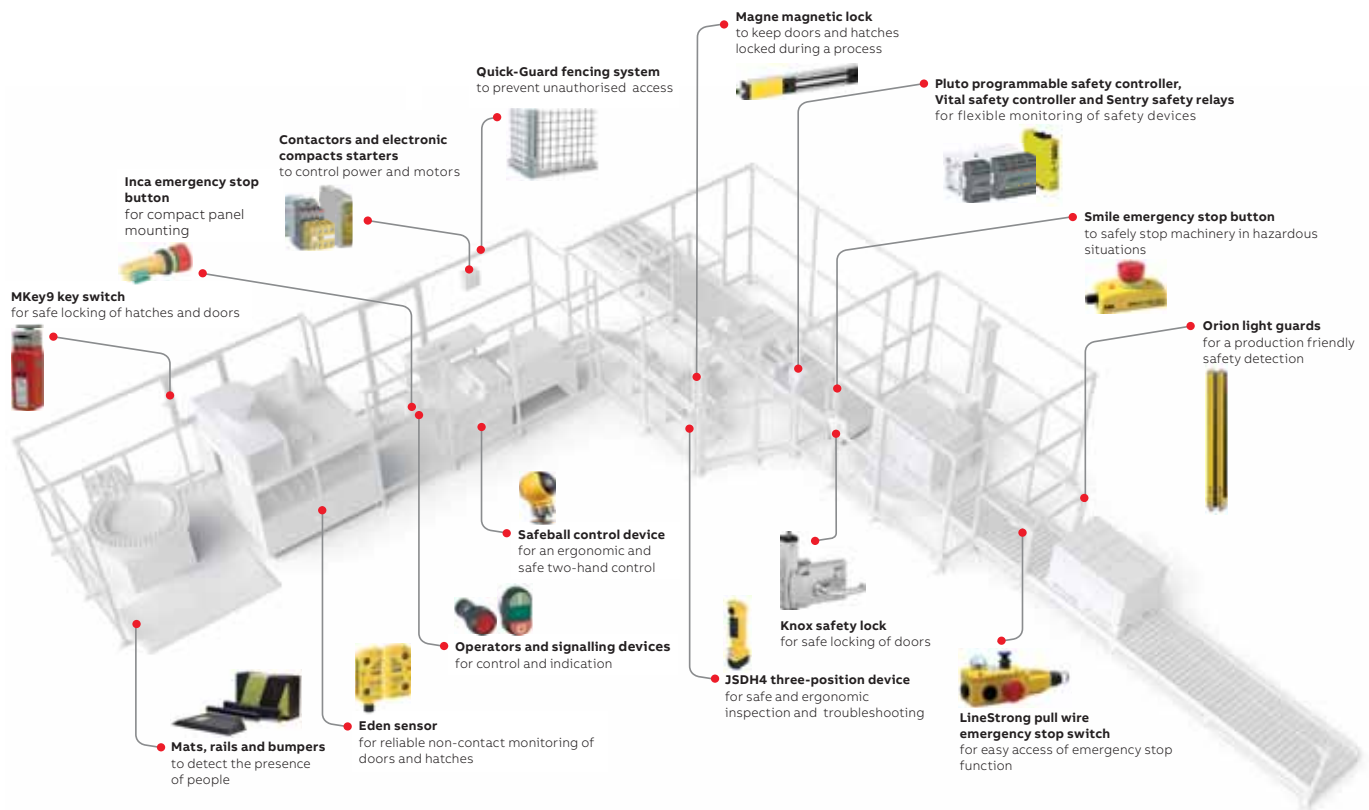
# Electronic Relay and Control (ERC)

## Indeks

SAFETY RELAY (Solusi Keselamatan Kerja) .....	174
Arc Guard System™ - Monitor your installation, anytime and anywhere .....	175
Relai Waktu - CT-C Tipe kompak.....	176
Relai Waktu - CT-S Tipe Performa tinggi .....	177
Relai Elektronik - Relai arus dan tegangan 1 fasa.....	178
Relai Elektronik - Relai tegangan 3 fasa.....	179
Relai Elektronik - Relai insulasi .....	180
Relai Elektronik - Relai thermistor untuk proteksi motor.....	181
Catu Daya - CP-D, CP-E, CP-C.1, CP-T.....	182
Relai Kontrol - CR-MX Tipe mini, 7A/5A, 2CO/4CO.....	183
Relai Kontrol.....	184

## SAFETY RELAY (Solusi Keselamatan Kerja)

ABB menawarkan sebuah solusi keselamatan kerja pada pabrik atau area kerja Anda. Kami bukan menjual produk safety tapi juga sebuah solusi untuk mengurangi angka kecelakaan kerja.



5



Untuk penjelasan lebih lanjut silahkan hubungi kami

# Arc Guard System™

Monitor your installation, anytime and anywhere

Short-circuit faults in LV and MV switchgears are often accompanied by an electric arc. An arc fault can lead to considerable damage to equipment and injury to personnel unless it is detected very quickly. To avoid severe damage to equipment and to personnel that are in proximity of the switchgear during the arc flash, it is crucial to de-energize the system before the energy level has increased to dangerous levels. With the Arc Guard System™ the time to de-energize the system can be reduced to 30-50 ms.

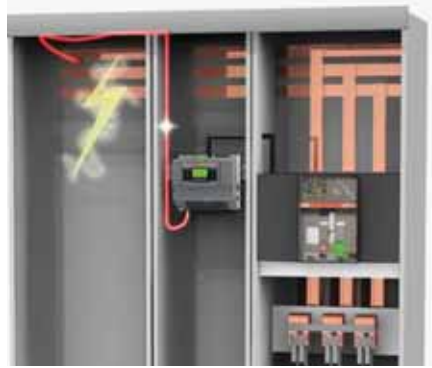
The Arc Guard System™ quickly detects an arc fault and trips the incoming circuit breaker. Using light as the main activation criteria, it trips almost instantaneously. Thanks to this key functional advantage, it overrides all other protections and delays, which is crucial when reaction times needs to be measured in milliseconds.

### How it works

The system acts in three phases:

#### 1 Detection

The TVOC-2 detects the light from an arc flash

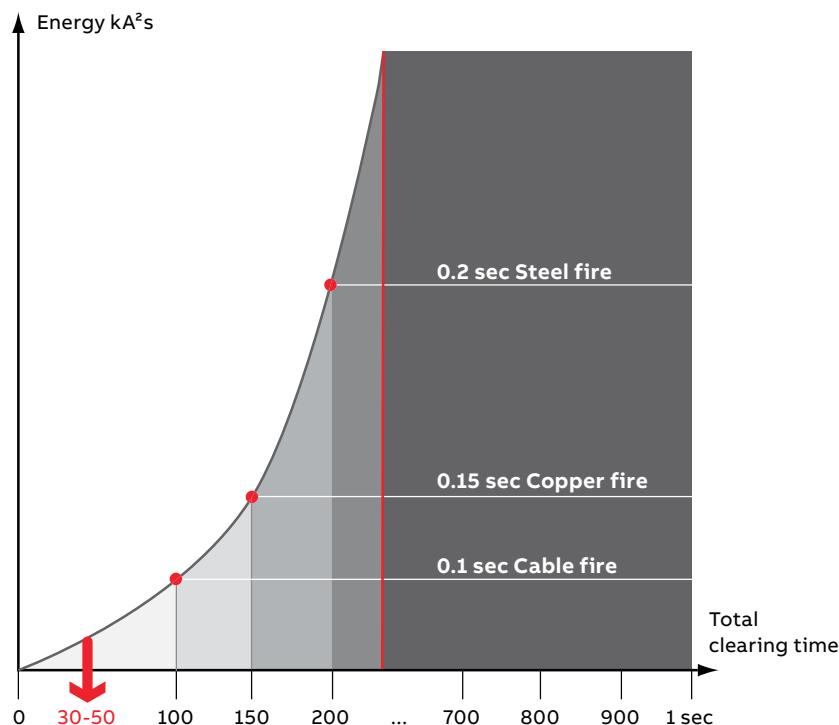


#### 2 Recognition

The system determines the intensity of light



The diagram below shows how the exponential increase in energy over time affects different switchgear materials.



Total clearing time = ABB Arc Guard System™ + breaker

#### 3 Action

The system sends signal to trip breaker(s)



## Relai Waktu

### CT-C Tipe kompak

#### Spesifikasi

Fungsi waktu	: Multi dan Single
Rentang waktu	: 0.05s - 100h
Lebar	: 17.5 mm
Koneksi	: Screw
Output (C/O)	: 1 c/o, 2 c/o
Output (AC-15)	: 3A
2 LED indikator	: Status LED 1, hijau untuk tegangan kontrol : Status LED 2, kuning untuk kontak yang bekerja
Pengaturan	: Potensiometer di muka
Suhu sekitar saat beroperasi	: -20 ... +60 °C



CT-MFC.12

Fungsi	Tegangan kontrol	Setelan waktu	Input untuk kontrol	Output	Tipe	Kode Order	Harga (Rp)
Multi <sup>1)</sup>	24-240 V AC 24-48 V DC	7 (0.05 s - 100 h)	Ada	1 c/o	CT-MFC.12	1SVR508020R0000	647,900
Multi <sup>1)</sup>	12-240 V AC/DC	7 (0.05 s - 100 h)	Ada	2 c/o	CT-MFC.21	1SVR508020R1100	777,700
ON-delay	24-240 V AC	7 (0.05 s - 100 h)	-	1 c/o	CT-ERC.12	1SVR508100R0000	573,100
	24-48 V DC		-	2 c/o	CT-ERC.22	1SVR508100R0100	688,600
OFF-delay			Ada	1 c/o	CT-AHC.12	1SVR508110R0000	594,000
			Ada	2 c/o	CT-AHC.22	1SVR508110R0100	712,800
Star-delta change-over		4 (0.05 s - 10 min)	-	2 n/o	CT-SDC.22 <sup>2)</sup>	1SVR508211R0100	954,800

1) Functions: ON-delay, OFF-delay with auxiliary voltage, Impulse-ON, Impulse-OFF with auxiliary voltage, Flasher starting with ON, Flasher starting with OFF, Pulse former

2) Transition time 50 ms fixed



## Relai Waktu

### CT-S Tipe Performa tinggi

#### Spesifikasi

Fungsi waktu	: Multi dan Single
Rentang waktu	: 0.05s - 300h
Lebar	: 22.5 mm
Koneksi	: Screw dan Push-in
Output (C/O)	: 1 c/o, 2 c/o
Output (AC-15)	: 3A
3 LED indikator	: Status LED U/T, hijau untuk tegangan kontrol : Status LED R1 & R2, kuning untuk kontak yang bekerja
Pengaturan	: Potensiometer di muka dan DIP switch untuk tipe Multi
Suhu sekitar saat beroperasi	: -20 ... +60 °C dan -40 ... +60 °C (MVS.21, MFS.21, ERS.21 & APS.21)
Aksesoris	: Potensiometer eksternal, cover & label
Fitur khusus	: Memenuhi standard EN50155 adalah standar internasional yang mencakup peralatan elektronik yang digunakan pada rolling stock untuk aplikasi kereta api.

CT-S Timer Relay sudah dipakai untuk semua jenis aplikasi di dunia selama bertahun - tahun dan sudah terbukti sangat baik di pemakaian sehari - hari atau aplikasi yang sulit.



Fungsi	Tegangan kontrol	Setelan waktu	Input untuk kontrol	Output	Tipe	Kode Order	Harga (Rp)
Multi <sup>1)</sup>	24- 240 V AC/DC	10 (0.05 s - 300 h)	Ada, 2 input	2 c/o	CT-MFS.21S <sup>1)2)3)</sup>	1SVR730010R0200	5,925,700
ON-delay			-	2 c/o	CT-ERS.21S <sup>1)</sup>	1SVR730100R0300	4,175,600
OFF-delay			Ada	2 c/o	CT-APS.21S <sup>1)</sup>	1SVR730180R0300	4,716,800
Star- delta change-over <sup>3)</sup>	24-48 V DC, 24-240 V AC	7 (0.05 s - 10 min)	-	2 n/o	CT-SDS.22S	1SVR730210R3300	3,531,000

1) Extended temperature range -40 °C

2) Without auxiliary voltage

3) 50 ms transition time

## Relai Elektronik

### Relai arus dan tegangan 1 fasa

#### Spesifikasi

Fungsi	: Monitor over- dan undercurrent DC dan AC Monitor over- dan undervoltage DC dan AC
Rentang pembacaan	: 3 mA ... 15 A dan 3 ... 600 V, threshold dapat diatur, hysteresis tetap 5%
Tunda waktu	: Tunda start-up dan tunda trip
Lebar	: 22.5 mm
Koneksi	: Screw dan Push-in
Output (C/O)	: 1 c/o, 2 c/o
Output (AC-15)	: 3A
3 LED indikator	: Status LED U/T, hijau untuk tegangan kontrol : Status LED R1 & R2, kuning untuk kontak yang bekerja
Pengaturan	: Potensiometer di muka dan DIP switch untuk tipe Multi
Suhu sekitar saat beroperasi	: -20 ... +60 °C
Fitur khusus	: Memenuhi standard EN50155 adalah standar internasional yang mencakup peralatan elektronik yang digunakan pada rolling stock untuk aplikasi kereta api.
Aplikasi	: Melindungi alat elektronik dan elektromekanikal dari kelebihan-kekurangan tegangan maupun arus listrik. : Kontrol kecepatan motor DC : Monitor tegangan dan arus baterai : Monitor jaringan heating dan lighting

Relay yang handal dalam memonitor tegangan dan arus yang berlebih atau kurang. Relay ini juga dapat memonitor arus AC ataupun DC. Pengaturan dengan "Skala Langsung" memudahkan untuk pengoperasian relay ini



CM-ESS

Tegangan kontrol	Tunda trip	Rentang pengukuran	Output	Tipe	Kode Order	Harga (Rp)
<b>Relay Monitor Arus Satu Phase</b>						
24 - 240 VAC/DC	Tidak ada	0.3 - 1.5 A	1 CO	CM-SRS.12S	1SVR730840R0300	7,885,900
110 - 130 VAC		1 - 5 A			1SVR730841R0300	6,596,700
220 - 240 VAC		3 - 15 A			1SVR730841R1300	6,596,700
24 - 240 VAC/DC	Adjustable	3 - 30 mA	2 CO	CM-SRS.21S	1SVR730840R0400	8,555,800
110 - 130 VAC	0 atau	10 - 100 mA			1SVR730841R0400	7,319,400
220 - 240 VAC	0.1 - 30 s	0.1 - 1 A			1SVR730841R1400	7,319,400
<b>Relay Monitor Tegangan Satu Phase</b>						
24 - 240 VAC/DC	Tidak ada	3 - 30 V	1 CO	CM-ESS.1S	1SVR730830R0300	7,885,900
110 - 130 VAC		6 - 60 V			1SVR730831R0300	6,596,700
220 - 240 VAC		30 - 300 V			1SVR730831R1300	6,596,700
		60 - 600 V				
24 - 240 VAC/DC	Adjustable	3 - 30 V	2 CO	CM-ESS.2S	1SVR730830R0400	8,555,800
110 - 130 VAC	0 atau	6 - 60 V			1SVR730831R0400	7,319,400
220 - 240 VAC	0.1 - 30 s	30 - 300 V			1SVR730831R1400	7,319,400
		60 - 600 V				

## Relai Elektronik

### Relai tegangan 3 fasa

#### Spesifikasi

Fungsi	: OVR, UVR, PFR, Unbalance, Phase sequence relay : Relay monitor tegangan untuk urutan fase, kehilangan fase, ketidakseimbangan dan monitor tegangan berlebih dan kurang 160 V hingga 820 V.
Rentang pembacaan	: 160 V hingga 820 V
Tunda waktu	: Tunda ON/OFF
Lebar	: 22.5 mm
Koneksi	: Screw dan Push-in
Output (C/O)	: 1 c/o, 2 c/o
Output (AC-15)	: 3A
3 LED indikator	: Status LED U/T, hijau untuk tegangan kontrol : Status LED R1 & R2, kuning untuk kontak yang bekerja
Pengaturan	: Potensiometer di muka dan DIP switch untuk tipe Multi
Suhu sekitar saat beroperasi	: -20 ... +60 °C
Fitur khusus	: Memenuhi standard EN50155 adalah standar internasional yang mencakup peralatan elektronik yang digunakan pada rolling stock untuk aplikasi kereta api.
Aplikasi	: Kontrol untuk koneksi peralatan bergerak seperti kompresor AC, truk dan kontainer berpendingin dan crane. : Kontrol terhadap operasi 'reverse motor' seperti lifting, handling, elevator dan escalator. : Kontrol terhadap suplai listrik 3 fasa yang sensitif : Melindungi motor yang terlalu panas karena tegangan asimetris : Perlindungan peralatan terhadap kerusakan yang disebabkan oleh overvoltage : Perlindungan terhadap arah rotasi drive.

Relay yang handal dalam memonitor tegangan yang berlebih atau kurang. Serta dapat memonitor kehilangan phase, phase tidak seimbang, phase terbalik dengan atau tanpa netral monitor. Relay ini juga dapat memonitor arus AC ataupun DC. Pengaturan dengan "Skala Langsung" memudahkan untuk pengoperasian relay ini

Tegangan kontrol fasa ke fasa	Fungsi	Tipe	Kode Order	Harga (Rp)
3x300-500 V AC	Over/under voltage relay (OVR & UVR), Phase failure relay (PFR) & phase sequence relay (PSR)	2 C/O	CM-PVS.41S	15VR730794R3300 8,239,000
3x200-500 V AC	Phase failure relay (PFR) & phase sequence relay (PSR)	2 C/O	CM-PFS.S	15VR730824R9300 3,668,500
3x300-500 V AC	Phase failure relay (PFR), Phase sequence relay (PSR) & Unbalance	2 C/O	CM-PAS.41S	15VR730774R3300 7,810,000



CM-PVS.41S

## Relai Elektronik

### Relai insulasi

Relay ini digunakan dalam system jaringan IT atau jaringan yang tidak ada pembumian antara Trafo atau generator dengan jaringan konsumen.

Relai pemantauan insulasi kisaran CM-IWx menjamin pemantauan isolasi berkesinambungan dari sistem TI. Perangkat mengenali kesalahan isolasi saat mereka berkembang dan segera memperingatkan jika nilainya telah jatuh di bawah ambang batas minimum yang ditetapkan. Hal ini memastikan operasi sistem yang andal dan mencegah gangguan operasional yang disebabkan oleh kesalahan isolasi kedua yang lebih parah yang dapat menyebabkan hubungan arus pendek yang menyebabkan pemutus arus utama.

#### Manfaat utama

- Tingkatkan ketersediaan pabrik dan hindari penghentian yang tidak direncanakan yang mahal dari pabrik / mesin dengan mendeteksi kesalahan dengan cepat terlebih dahulu
  - Mencegah kebakaran karena deteksi kemunduran isolasi yang merayap
  - Penyesuaian nilai pengaturan sederhana dan dilakukan dengan cara yang mudah dengan sakelar putar di bagian depan perangkat
  - Status perangkat ditampilkan dengan LED yang mudah dibaca dan dimengerti
- Relay ini direkomendasikan dipakai pada : Rumah Sakit, Generator, PLTS, Emergency power Supply, Kapal Laut, Crane, Wind power, Kereta Api, Pertambangan dan lainnya.

ABB menawarkan Insulation Monitoring Relay ini sampai 690 VAC atau 1000 VDC



CM-IWS

Nilai Kontrol Tegangan = Tegangan Pengukuran	Tegangan Nominal Un dari sistem distribusi yang dimonitor	Kapasitansi kebocoran dari sistem, maksimal	Rentang penyesuaian dari nilai respon yang ditentukan	Tipe	Kode Order	Harga (Rp)
24 - 240 VAC/DC	0-250 V AC / 0-300 V DC	10 $\mu$ F	1 - 100 k $\Omega$	CM-IWS.1S	1SVR730660R0100	11,644,600
	0 - 400 VAC	10 $\mu$ F	1 - 100 k $\Omega$	CM-IWS.2S	1SVR730670R0200	9,068,400
	0-400 V AC / 0-600 V DC	20 $\mu$ F	1-100 k $\Omega$ , 2-200 k $\Omega$	CM-IWN.1S	1SVR750660R0200	25,660,800

## Relai Elektronik

### Relai thermistor untuk proteksi motor



CM-MSS

Relay proteksi motor thermistor CM-MSS digunakan untuk proteksi motor yang dilengkapi dengan sensor PTC Thermistor. PTC Thermistor terdapat didalam gulungan (winding) motor yang mengukur panas dari motor. Ini memungkinkan kontrol langsung dan evaluasi dari berbagai kondisi pengoperasi motor tersebut.

Tegangan kontrol	Kontak	Tipe	Kode order	Harga (Rp)
24 - 240 VAC/DC	1 n/c, 1 n/o	CM-MSS.21S	1SVR730722R1400	4,405,500
	ATEX, 1 n/c, 1 n/o	CM-MSS.31S	1SVR730712R1400	5,514,300
	ATEX, 2c/o	CM-MSS.41S	1SVR730712R1200	5,668,300

### PTC temperature sensors



C011-\*\*

Suhu	Kode warna	Tipe	Kode order	Harga (Rp)
70°C	Putih - Coklat	C011-70	GHC0110003R0001	629,200
80°C	Putih - Putih	C011-80	GHC0110003R0002	629,200
90°C	Hijau - Hijau	C011-90	GHC0110003R0003	629,200
100°C	Merah - Merah	C011-100	GHC0110003R0004	629,200
110°C	Coklat - Coklat	C011-110	GHC0110003R0005	629,200
120°C	Abu - Abu	C011-120	GHC0110003R0006	629,200
130°C	Biru - Biru	C011-130	GHC0110003R0007	629,200
140°C	Putih - Biru	C011-140	GHC0110003R0011	629,200
150°C	Hitam - Hitam	C011-150	GHC0110003R0008	629,200
160°C	Biru - Merah	C011-160	GHC0110003R0009	629,200
170°C	Putih - Hijau	C011-170	GHC0110003R0010	629,200
150°C	Hitam - Hitam	C011-3-150	GHC0110033R0008	487,300

## Relai suhu



CM-TCS

Relay untuk sensor PT100, PT1000, KTY 83, KTY 84 atau NTC yang dipakai dalam proses industri dan mesin industri. ABB menawarkan berbagai relay monitoring temperatur untuk memenuhi kebutuhan anda

Tegangan kontrol	Rentang suhu	Tipe	Kode order	Harga (Rp)
24 - 240 VAC/DC	-50...+50°C	CM-TCS.11S	1SVR730740R0100	9,693,200
	0...+100°C	CM-TCS.12S	1SVR730740R0200	9,693,200
	0...+200°C	CM-TCS.13S	1SVR730740R0300	9,693,200

## Relai ketinggian cairan



CM-ENS

Relay monitor ketinggian cairan ABB untuk regulasi dan kontrol ketinggian cairan dan ratio dari konduktivitas cairan campuran Relay monitor terdapat dalam single fungsi dan multifungsi yang dapat digunakan untuk over-flow dan proteksi dry-running, untuk aplikasi pengisian atau pengosongan. Untuk peringatan ketinggian maximal dan minimal atau kombinasi dari fungsi tersebut

Tegangan kontrol	Rentang pengukuran	Fungsi	Tunda waktu	Tipe	Kode order	Harga (Rp)
24 ... 240 VAC/DC	5 ... 100 kΩ	Fill/Drain	Tidak	CM-ENS.11S	1SVR730850R0100	4,122,800
	0.1 ... 1000 kΩ	Fill/Drain	Tidak	CM-ENS.21S	1SVR730850R0200	4,329,600
	0.1 ... 1000 kΩ	Fill/Drain	0.1-10 s	CM-ENS.31S	1SVR730850R0300	5,979,600

## Catu Daya

CP-D, CP-E, CP-C.1, CP-T



CP-D 24/1.3



CP-E 24/1.25



CP-C.1 24/5.0



CP-T 24/5.0

### Spesifikasi

Tegangan input : 85-264 V AC / 90-375 V DC (1 fasa)

3 x 400-500 V AC (3 fasa)

Tegangan output : 5V, 12 V, 24 V, 48 V DC, adjustable

Daya : 15 Watt- 480 Watt

Efisiensi : Efisiensi tinggi hingga 94% untuk CP-C.1

Indikator : 2 LED status, Output Low, Output OK

Kontak output : DC OK status

Suhu sekitar saat beroperasi : -40...+70 °C

Tegangan input		Tegangan output dan arus	Daya	Tipe	Kode order	Harga (Rp)
90-264 V AC / 120-375 V DC	1 fasa	24 V DC / 0.42 A	10	CP-D 24/0.42	1SVR427041R0000	3,443,000
		24 V DC / 1.3 A	31	CP-D 24/1.3	1SVR427043R0100	4,061,200
		24 V DC / 2.5 A	60	CP-D 24/2.5	1SVR427044R0200	5,120,500
		24 V DC / 4.2 A	101	CP-D 24/4.2	1SVR427045R0400	6,887,100
85-264 V AC / 90-375 V DC	1 fasa	24 V DC / 1.25 A	30	CP-E 24/1.25	1SVR427031R0000	3,285,700
		24 V DC / 2.5 A	60	CP-E 24/2.5	1SVR427032R0000	4,142,600
85-264 V AC, 90-300 V DC"	1 fasa	24 V DC / 5 A	120	CP-C.1 24/5.0	1SVR360563R1001	5,669,400
		24 V DC / 10 A	240	CP-C.1 24/10.0	1SVR360663R1001	7,670,300
		24 V DC / 20 A	480	CP-C.1 24/20.0	1SVR360763R1001	11,421,300
340-575 V AC, 480-820 V DC	3 fasa	24 V DC / 5 A	120	CP-T 24/5.0	1SVR427054R0000	7,333,700
		24 V DC / 10 A	240	CP-T 24/10.0	1SVR427055R0000	9,333,500
		24 V DC / 20 A	480	CP-T 24/20.0	1SVR427056R0000	11,572,000
		24 V DC / 40 A	960	CP-T 24/40.0	1SVR427057R0000	18,715,400

## Relai Kontrol

CR-MX Tipe mini, 7A/5A, 2CO/4CO

### Spesifikasi

Standard miniature relays  
 Material kontak yang bebas Cadmium  
 Lebar soket: 30 mm  
 Tersedia modul fungsi pluggable

Output	Kontak	LED	Test button	Tipe	Kode order	Harga (Rp)	MOQ
2 CO	250 V, 7 A	-	-	CR-MX****2	1SVR405631R*000	70,400	1
2 CO	250 V, 7 A	-	Ada	CR-MX****2T	1SVR405641R*000	93,500	1
2 CO	250 V, 7 A	Ada	-	CR-MX****2L	1SVR405631R*100	73,700	1
2 CO	250 V, 7 A	Ada	Ada	CR-MX****2LT	1SVR405641R*100	114,400	1
4 CO	250 V, 5 A	-	-	CR-MX****4	1SVR405633R*000	79,200	1
4 CO	250 V, 5 A	-	Ada	CR-MX****4T	1SVR405643R*000	93,500	1
4 CO	250 V, 5 A	Ada	-	CR-MX****4L	1SVR405633R*100	86,900	1
4 CO	250 V, 5 A	Ada	Ada	CR-MX****4LT	1SVR405643R*100	114,400	1

Tegangan koil	Kode ****	Kode *
12VDC	012DC	4
24VDC	024DC	1
48VDC	048DC	6
110VDC	110DC	8
24VAC	024AC	0
110VAC	110AC	7
230VAC	230AC	3



### Aksesoris

Model	Terminal Koneksi	Tipe	Kode order	Harga (Rp)	MOQ
Diode - Reverse polarity protection / free-wheeling diode	-	CR-P/M 22	1SVR405651R0000	27,500	10
Soket 2 c/o untuk CR-MX	Screw	CR-M2SFB	1SVR405651R1400	38,500	1
Soket 4 c/o untuk CR-MX	-	CR-M4SFB	1SVR405651R3400	46,200	1
Metal holder	-	CR-MH1	1SVR405659R1100	9,900	10

MOQ : Minimum Order Quantity, berlaku kelipatan



CR-MX024DC4LT



CR-MX230AC4LT



CR-M4SFB



CR-P/M 22



CR-MH1

## Relai Kontrol

### CR-P Range – PCB



#### Relay

1 c/o – 16 A  
2 c/o – 8 A

#### Optocoupler

MOS-FET – 5 A  
Triac – 3 A

#### Tegangan koil

V DC : 12, 24, 48, 110  
V AC : 24, 48, 110, 120, 230

### CR-U Range – Universal



#### Relay

2 c/o – 10 A  
3 c/o – 10 A

#### Tegangan koil

V DC : 12, 24, 48, 110, 220  
V AC : 24, 48, 110, 120, 230

### CR-M Range – Miniature



#### Relay

2 c/o – 12 A  
3 c/o – 10 A  
4 c/o – 6 A

#### Tegangan koil

V DC : 12, 24, 48, 60, 110, 125, 220  
V AC : 24, 48, 110, 120, 230

### CR-MX Range – Miniature



#### Relay

2 c/o – 7 A  
4 c/o – 5 A

#### Tegangan koil

V DC : 12, 24, 48, 110, 220  
V AC : 24, 110, 230

### CR-S Range – Slim Pluggable



#### Relay

1 c/o – 6 A

#### Optocoupler

Transistor – 100 mA  
MOS-FET – 2 A  
Triac – 2 A

#### Tegangan koil

V DC : 5, 12, 24  
V AC : 12, 24  
V AC/DC : 48, 60, 110-125, 220-240

### R600 Range – Slim Boxed



#### Relay

1 c/o – 6 A  
2 c/o – 8 A

#### Optocoupler

Transistor – 100 mA  
MOS-FET – 2 A ... 5 A  
Triac – 1 A ... 2 A

#### Tegangan koil

V DC : 5, 12, 24  
V AC/DC : 24, 48-60, 60-230, 115, 230



# Kompensasi Energi Reaktif - Kapasitor

## Indeks

Kompensasi energi reaktif - Tabel konversi.....	186
Kompensasi energi reaktif - Pendahuluan.....	187
Kompensasi energi reaktif - Pendahuluan.....	188
Unit Kapasitor Tegangan Rendah - CLMD.....	189
Unit Kapasitor Tegangan Rendah - CLMD - 400...525V - 50 Hz .....	190
Unit Kapasitor Tegangan Rendah - CLMD.....	191
Detuned Reactor.....	192
Regulator faktor daya - RVC & RVT .....	193



## Kompensasi energi reaktif

### Pendahuluan

Pada tanggal 31 Desember 2001, pemerintah RI telah menerbitkan Keputusan Presiden No. 133 Tahun 2001 yang menetapkan kenaikan bertahap per triwulan Harga Jual Tenaga Listrik yang disediakan oleh PT. PLN (Persero), dinyatakan dalam Tarif Dasar Tenaga Listrik Tahun 2002 (TDL 2002), yang diberlakukan mulai tanggal 1 Januari 2002.

Dengan adanya TDL 2002 ini, mendorong pelanggan untuk menghemat pemakaian listrik. Bagi pelanggan listrik untuk golongan tarif S3 (tarif sosial dengan daya terpasang > 200 kVA), B3 (tarif bisnis dengan daya terpasang > 200 kVA), I3 & I4 (tarif industri dengan daya terpasang > 200 kVA) maka akan dikenakan denda kVAR apabila faktor daya (cos phi) yang terukur < 0.85.

Kebutuhan kapasitor (Qc) dapat ditentukan dengan berbagai cara, antara lain :

#### 1. Metode perhitungan

Kebutuhan unit kapasitor dapat ditentukan dengan rumusan berikut :

**Qc = P (tan phi awal - tan phi target)** dimana : **P = daya aktif (kW)**

**Qc = unit kapasitor yang dibutuhkan (kVAR)**

Besarnya (tan phi awal - tan phi target) dapat dilihat pada tabel konversi halaman 9-...

Contoh 1 :

Diketahui bahwa suatu perusahaan menginginkan kompensasi faktor daya menjadi 0.98. Data-data yang dapat dihimpun adalah cos phi awal 0.7, Un = 400 VAC dan arus maksimal I yang terukur adalah 1000 A. Tentukan kapasitor yang diperlukan untuk kompensasi ini.

Jawaban 1 :

$$P = \sqrt{3} \times U_n \times I \times \cos \phi = 1.73 \times 400 \times 1000 \times 0.7 = 484.4 \text{ kVA}$$

$$Q_c = P (\tan \phi_{\text{awal}} - \tan \phi_{\text{target}})$$

$$= 484.4 \times 0.82 = 397.2 \text{ kVAR} \sim 400 \text{ kVAR}$$

$$\sim 400 \text{ kVAR}$$

Jadi unit kapasitor yang dibutuhkan adalah 50 kVAR x 8 step.

#### 2. Metode kwitansi tagihan listrik

Metode ini memerlukan kecermatan pencatatan jam operasi pabrik per harinya, serta membaca rincian data yang ada pada rekening listrik seperti besarnya LWBP (Luar Waktu Beban Puncak), WBP (Waktu Beban Puncak, 18.00 - 22.00) dan faktor meter. Besarnya unit kapasitor yang terpasang ditentukan oleh rumus berikut ini :

**Qc = {kVARh total - (tan phi target x kWh total)} / jam operasi sebulan**

Contoh 2 :

Suatu perusahaan beroperasi penuh selama 24 jam / hari dan hari minggu libur menginginkan kompensasi energi reaktif menjadi 0.98 dengan diberikan data-data dari rekening listrik sebagai berikut :

Meter	Akhir	Yang lalu	Faktor kali
LWBP	9967	9850	4000
WBP	1147	1124	
kVARh	6509	6408	4000

## Kompensasi energi reaktif

### Pendahuluan

Jawaban 2 :

$$P = \{(LWBP \text{ akhir} - LWBP \text{ yang lalu}) + (WBP \text{ akhir} - WBP \text{ yang lalu})\} \times \text{faktor kali}$$

$$= \{(9967 - 9850) + (1147 - 1124)\} \times 4000$$

$$= 560000 \text{ kWh}$$

$$Q = (kVARh \text{ akhir} - kVARh \text{ yang lalu}) \times \text{faktor kali}$$

$$= (6509 - 6408) \times 4000$$

$$= 404000 \text{ kVARh}$$

$$\tan \phi = Q / P = 560000 / 404000$$

$$= 1.386 \text{ ---} \rightarrow \cos \phi = 0.58$$

Jam operasi = 24 jam / hari x 26 hari / sebulan = 624 jam

$$Q_c = \{404000 - (0.2 \times 560000)\} / 624$$

$$= 468 \text{ kVAR} \sim 500 \text{ kVAR}$$

Jadi unit kapasitor yang dibutuhkan adalah (50 kVAR x 2) x 5 step.

### 3. Metode estimasi dari daya nominal transformer yang terpasang

Metode ini mengasumsikan bahwa transformer dibebani prosentasi maksimal dari kapasitas daya nominal transformer (Sn), dengan cos phi awal dari 0.7 dan cos phi target adalah 0.99, maka besarnya unit kapasitor (Qc) yang dibutuhkan dapat dilihat pada tabel berikut :

Daya trafo, Sn [kVA]	Estimasi Sn, [kVAR]			
	50%	65%	80%	90%
160	50	70	80	90
250	80	100	120	140
315	100	120	150	180
400	120	160	200	230
500	150	200	250	300
630	200	250	300	350
800	250	325	400	450
1000	300	400	500	600
1250	400	500	620	700
1600	500	650	800	900
2000	600	800	1000	1150
2500	800	1000	1250	1400

Contoh :

Untuk Transformer 1000 kVA yang dibebani 80% dari kapasitas maksimalnya, maka untuk mengkoreksi faktor daya dari 0.7 menjadi 0.99 membutuhkan bank kapasitor sebesar 500 kVA

## Unit Kapasitor Tegangan Rendah CLMD

### Pendahuluan

Kapasitor CLMD dari ABB terdiri dari sejumlah elemen yang digulung yang terbuat dari bahan metallized polypropylene film. Gulungan kering ini dilengkapi dengan pemutus terangkai yang menjamin bahwa setiap elemen tahan dan terputus dari rangkaian di akhir masa kerjanya. Setiap gulungan ditempatkan dalam wadah plastik dan dicor dengan resin yang dipanaskan untuk memperoleh elemen tertutup yang sempurna.

Elemen tersebut diletakkan di sisi dalam kotak besi dan dihubungkan sedemikian sehingga ke suplai daya yang dibutuhkan tegangan dan frekuensi. Kotak besi tersebut diisi dengan dengan bahan anorganik, lembab dan butiran tahan panas untuk menyerap energi yang dihasilkan atau untuk memadamkan nyala api saat terjadi kerusakan di akhir masa elemen. Unit kapasitor CLMD diberikan dengan penyema panas untuk menjamin disipasi panas efektif.

### Hemat tagihan listrik dengan koreksi faktor daya

#### Desain jenis kering - tidak ada resiko kebocoran

Kapasitor CLMD mempunyai bahan dielektrik jenis kering sehingga tidak ada resiko kebocoran atau polusi ke lingkungan.

#### Rugi-rugi yang kecil

Rugi-rugi dielektrik kurang dari 0.2 watt per kVAR. Rugi-rugi keseluruhan termasuk resistor pembuang muatan kurang dari 0.5 watt per kVAR.

#### Tahan lama - pemulihan sendiri (self healing)

Saat terjadi gangguan yang terbentuk pada dielektrik kapasitor, elektroda yang berlapis logam yang berdekatan dengan lokasi gangguan segera menguap dan mengisolasi gangguan. Kemudian kapasitor bekerja secara normal lagi.

#### Proteksi terhadap api

Semua elemen kapasitor CLMD dikelilingi oleh bahan vermiculite, yaitu suatu bahan anorganik, lembam, tahan api dan material butiran kecil-kecil yang tidak beracun. Saat terjadi gangguan, bahan vermiculite ini dengan aman menyerap energi yang dihasilkan dalam kotak kapasitor dan memadamkan kemungkinan terjadinya nyala api.

#### Pemutus terangkai unik

Sistem pemutus terangkai unik menjamin bahwa setiap elemen dapat diputuskan dari rangkaian pada akhir masanya.

#### Mudah dipasang - ringan

Kapasitor CLMD sangat ringan, sehingga tidak menyulitkan waktu pemasangan.

#### Ketahanan yang handal

Kapasitor CLMD mengacu ke standar IEC 831-1 & 2, dan standar internasional lainnya. Penggunaan terminal yang kokoh sebagai pengganti ring (bushing) porselin yang mudah retak sehingga resiko rusak saat pemasangan dapat dihindari, dan mengurangi kebutuhan perawatan.

#### Keamanan

Pelindung panas dipasang di sekitar setiap elemen kapasitor dan memberikan disipasi panas efektif. Kapasitor CLMD dilengkapi dengan resistor pembuang muatan.



CLMD range

## Unit Kapasitor Tegangan Rendah

CLMD - 400...525V - 50 Hz

### Spesifikasi teknik

Standard	: IEC 60831-1&2
Connection	: 3 fase (fase tunggal dengan permintaan khusus)
Type	: Self-healing, dry
Dielectric	: Polypropylene (metalized)
Execution	: dalam ruangan (luar ruangan dengan permintaan khusus)
Overvoltage	: 1.1 Un at intervals
Overcurrent	: 1.3 In
Maximum overload	: 1.35 times of nominal rating (IEEE Std.18-2002)
Maximum inrush current	: 200 In
Safety protection	: pengaman lebur di dalam setiap elemen
Tolerance on capacitance	: -5% / +10%
Temperature category	: -25/D according to IEC 60831
Losses	: Dielectric losses < 0.2 w/kvar : Total < 0.5 w/kvar (discharge resistor included)
Degree of protection	: IP42 (IP54 dengan permintaan khusus)
Minimum distance between unit	: 50mm
Minimum distance between unit and wall	: 50mm
Resistor pembuang muatan	: dihubungkan secara permanen

\* Untuk kapasitor dengan tegangan Uc yang lain bisa menghubungi kami

### Tegangan kapasitor 400 V - 50 Hz

Daya reaktif [kVAR]			In / fase [A]	Kode order	Tipe	Harga Rp
380 V	400 V	415 V				
2.3	2.5	2.7	3.6	2GSB010135A0022	CLMD 13 025 400	2,866,600
4.5	5	5.4	7.2	2GSB010136A0022	CLMD 13 005 400	2,866,600
9.0	10	10.8	14	2GSB010133A0022	CLMD 13 010 400	3,273,600
13.5	15	16.1	21.7	2GSB010134A0022	CLMD 13 015 400	4,420,900
18.1	20	21.5	29	2GSB010117A0022	CLMD 43 020 400	5,183,200
22.6	25	26.9	36	2GSB010118A0022	CLMD 43 025 400	5,575,900
27.1	30	32.3	43	2GSB010119A0022	CLMD 53 030 400	6,466,900
36.1	40	43.1	58	2GSB010120A0022	CLMD 53 040 400	8,270,900
45.1	50	53.8	72	2GSB010122A0022	CLMD 63 050 400	9,384,100
54.2	60	64.6	87	2GSB010123A0022	CLMD 63 060 400	10,923,000
63.2	70	75.3	101	2GSB010124A0022	CLMD 63 070 400	14,236,200
72.2	80	86.1	115	2GSB010126A0022	CLMD 63 080 400	16,531,900
81.2	90	96.9	144	2GSB010127A0022	CLMD 83 090 400	19,078,400
90.3	100	107.6	173	2GSB010116A0022	CLMD 83 100 400	21,861,400

### Tegangan kapasitor 525 V - 50 Hz

Aplikasi pada 400V dengan Reactor [kVAR]	Kapasitor 525V Daya reaktif [kVAR]	In / fase [A]	Kode order	Tipe	Harga Rp
12.5	20	22	2GSB010183A0022	CLMD 43 020 525	4,440,700
15.6	25	27.5	2GSB010184A0022	CLMD 43 025 525	5,649,600
18.7	30	33	2GSB010187A0022	CLMD 53 030 525	6,471,300
25	40	44	2GSB010450A0022	CLMD 53 040 525	7,651,600
31.2	50	55	2GSB010452A0022	CLMD 63 050 525	10,153,000
37.5	60	66	2GSB010454A0022	CLMD 63 060 525	11,137,500
50	80	88	2GSB010174A0022	CLMD 63 080 525	14,900,600
62.4	100	110	2GSB010177A0022	CLMD 83 100 525	20,468,800

## Unit Kapasitor Tegangan Rendah CLMD

Tabel Pemilihan  
Untuk Kapasitor ABB dengan komponen lainnya di jaringan 3 fasa 50Hz

Tegangan sistem	Kapasitor 400 V			Komponen			Minimum Cu Cable (mm <sup>2</sup> ) (2)	
	Type	Daya (kVAr)	In (A)	Terminal	Berat (kg)	Fuse Links		Kontaktor
400 V	CLMD 43	5	7.2	M6	4.5	000/16 A	UA 30-30	2.5
		10	14.4	M6	4.5	000/25 A	UA 30-30	4
		15	21.7	M6	4.5	000/50 A	UA 30-30	6
		20	28.9	M6	5.5	000/50 A	UA 30-30	10
		25	36.1	M6	5.5	000/63 A	UA 30-30	10
	CLMD 53	30	43.3	M8	8	000/80 A	UA 50-30	16
		40	57.7	M8	10	000/100 A	UA 63-30	25
	CLMD 63	50	72.2	M10	13.5	00/125 A	UA 75-30	35
		60	86.6	M10	14.5	00/160 A	UA 95-30	35
		70	101	M10	15.5	1/200 A	UA 110-30	50
	CLMD 83	80	115.5	M12	17	1/200 A	AF 140-30(1)	70
		100	144.3	M12	21	1/250 A	AF 190-30(1)	95

(1) Untuk aplikasi single step, untuk multi step mohon hubungi ABB

Tabel untuk aplikasi Kapasitor 525 V dengan 7% Detuned untuk sistem 400VAC

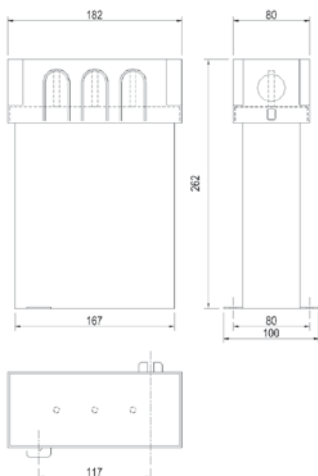
Tegangan sistem	Target kvar/step	Detuned Reactor	Kapasitor 525 V			Komponen		Minimum Cu Cable (mm <sup>2</sup> ) (2)	
			Type	In (A)	Terminal	Berat (kg)	Fuse Links		Kontaktor
400 V	12.5	7% for 12.5 kvar at 400 V	20 kvar 525 V	22	M6	6.5	000/50 A	UA 16-30	6
	25	7% for 25 kvar at 400 V	40 kvar 525 V	44	M8	12	000/63 A	UA 30-30	10
	50	7% for 50 kvar at 400 V	80 kvar 525 V	88	M10	19	00/125 A	UA 75-30	35
	100	2X(7% for 50 kvar at 400 V)	2x(80 kvar 525 V)	88	M10	19	2x(00/125 A)	2x(UA 75-30)	2x35

(2) Sambungan kabel pada kapasitor menggunakan sepatu kabel tipe Ring  
(2) Sambungan kabel pada kontaktor tidak menggunakan sepatu kabel

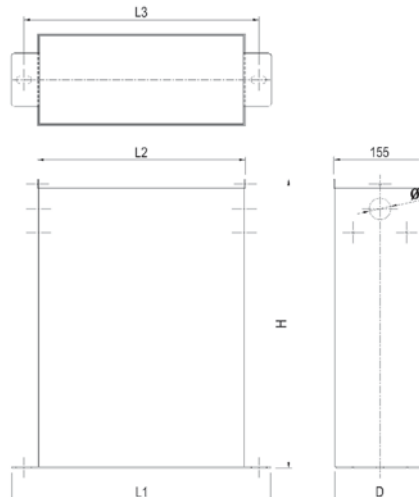
### Tabel Dimensi

Type	H (mm)	L1 (mm)	L2 (mm)	L3 (mm)	D (mm)	ø (mm)
CLMD 43	275	266	180	266	152	37
CLMD 53	310	436	350	396	152	37
CLMD 63	485	436	350	396	152	47
CLMD 83	670	436	350	396	152	47

CLMD 13



CLMD 43, 53, 63 dan 83



## Detuned Reactor

Desain	: 3 fase, inti besi
Indeks proteksi	: IP00 untuk penggunaan dalam ruangan
Pendinginan	: udara
Tata letak	: menurut VDE 0532/EN IEC 60076
Terminal	: batang tembaga menurut DIN 46 206
Uji sumber tegangan	: belitan ke inti 3 kV - 1 menit menurut IEC 76/3
Toleransi induktansi	: -/+ 3% dari fase-N
Faktor reaktor (p)	: 7.0%
Frekwensi resonansi (fr)	: 189 Hz
Didesain untuk	: Uh1 = 106%, Uh3 = 0.5%, dan Uh5 = Uh7 = 5% relatif terhadap fase-N

### 400/415 V - 50 Hz



Detuned reactor - DR

Daya reaktif pada 400 VAC [kVAR]	Kapasitor yang harus terpasang [kVAR]	Berat (kg)	No. Ref	Harga Rp
12.5	20 kVAR/525 V	12	178809	Call Us
15.6	25 kVAR/525 V	15	178808	Call Us
25	40 kVAR/525 V	20	178811	Call Us
31.2	50 kVAR/525 V	23	178812	Call Us
37.5	60 kVAR/525 V	25	178813	Call Us
50	80 kVAR/525 V	36	178815	Call Us
62.4	100 kVAR/525 V	41	178817	Call Us

#### Catatan :

- Silahkan menghubungi kami untuk harga dan spesifikasi detail



## Regulator faktor daya RVC & RVT

RVC



RVT



<b>Display / Operasi LCD</b>	Layar LCD Hitam-Putih / Tombol	3.5 inch QVGA (320x240), Layar Sentuh, Multi Bahasa
<b>Tegangan operasi</b>	100 Vac to 440 Vac	100 Vac to 440 Vac
<b>Tegangan pengukuran</b>	100 Vac to 440 Vac	hingga 690 Vac atau lebih dengan VT
<b>Konsumsi Daya</b>	8 VA Maks.	15 VA Maks
<b>Toleransi tegangan</b>	± 10%	± 10%
<b>Kategori pengukuran</b>	CAT III (IEC61010-10	CAT III (IEC61010-10
<b>Akurasi</b>	1% fullscale	1% fullscale
<b>Jangkauan frekuensi</b>	50 atau 60 Hz +/-5%	45 sampai dengan 65 Hz
<b>Input arus</b>	5 A or 1 A (RMS) (class 1 C.T.)	5 A or 1 A (RMS) (class 1 C.T.)
<b>Input arus (impedansi)</b>	<0.1 Ohm	<0.1 Ohm
<b>Jumlah relai keluaran</b>	3-6-8-10-12 steps	6-12 steps
<b>Kapasitas kontak keluar</b>	• Arus kontinu maks. : 1.5A, maks. : 440 Vac	• Arus kontinu maks. : 1.5A, maks. : 440 Vac
<b>Kapasitas kontak alarm</b>	Kontak NO, maks. : 5A, maks. : 440Vac	Kontak NO, maks. : 5A, maks. : 440Vac
<b>Kapasitas kontak kipas/Fan</b>	-	Kontak NO, maks. : 1.5A, maks. : 440Vac
<b>Input digital</b>	-	Input 1 (rated 15-24 Vac/dc): day/ night cos φ selection Input 2(rated 15-24 Vac/ Vdc): External input alarm/ protection/ disconnection
<b>Setelan faktor daya</b>	0.7 induktif sampai dengan 0.7 kapasitif	0.7 induktif sampai dengan 0.7 kapasitif
<b>Setelan Arus Start (C/k)</b>	0.01 - 3 A	0.01 - 5 A
	Pengukuran otomatis C/k	Pengukuran otomatis C/k
<b>Waktu switsing antar step</b>	1-999 detik	1 detik - 18 Jam
<b>Urutan switsing</b>	1:1:1:1:1:.....1 - 1:2:2:2:2:.....:2 1:2:4:4:4:.....:4 - 1:1:2:4:8:.....:8 1:2:3:3:3:.....:3 - 1:2:3:6:6:.....:6 dan urutan lain yang dapat diprogram	1:1:1:1:1:.....1 - 1:2:2:2:2:.....:2 1:2:4:4:4:.....:4 - 1:1:2:4:8:.....:8 1:2:3:3:3:.....:3 - 1:2:3:6:6:.....:6 dan urutan lain yang dapat diprogram
<b>Metode Switching</b>	Integral, direct, linear or circular	Normal or integral, progressive or direct, linear or circular
<b>Proteksi undervoltage</b>	Pemutusan otomatis cepat kurang dari 20ms saat tegangan hilang atau turun	Pemutusan otomatis cepat kurang dari 20ms saat tegangan hilang atau turun
<b>Komunikasi /Protokol</b>	-	- Opsional tambahan adapter RS485 dengan Modbus RTU - RVT12-3P dilengkapi RJ45 Ethernet port dengan Modbus TCP/IP protokol - Opsional software PQ-Link untuk monitoring dan pengaturan dari PC
<b>Aplikasi tegangan</b>	Kapasitor bank LV	Kapasitor bank LV, MV dan HV
<b>Input sensor suhu</b>	-	Opsional tambahan modul suhu
<b>Konfigurasi step</b>	Otomatis, tetap, mati	Otomatis, tetap, mati
<b>Temperatur Kerja</b>	-10°C to 70°C	-20° C to 70° C
<b>Posisi Mounting</b>	Vertikal	Vertikal
<b>Dimensi</b>	144 x 144 x 43 mm (h x w x d) Cut-out: 138 x 138 mm (h x w)	Front plate: 146 x 146 mm (h x w) Overall: 146 x 211 x 67 mm (h x w x d) Cut-out dimensions: 138 x 138 mm (h x w)

## Regulator faktor daya

### RVC & RVT



—  
RS485 Modbus Adapter  
for RVT2



—  
Option RVT2 Temperature



—  
Option IP54 Gasket for RVT2

#### Regulator faktor daya - RVC

Type	Jumlah step	Kode order	Harga
RVC 3	3	2GCA294983A0050	9,181,700
RVC 6	6	2GCA294984A0050	10,874,600
RVC 8	8	2GCA294985A0050	11,933,900
RVC 10	10	2GCA294986A0050	12,622,500
RVC 12	12	2GCA294987A0050	12,379,400

#### Regulator faktor daya - RVT

Type	Jumlah step	Kode order	Harga
RVT2-6	6	2GCA291720A0050	20,823,000
RVT2-12	12	2GCA291721A0050	24,797,300
RVT2-12 3P	12	2GCA291722A0050	27,261,300

#### Aksesoris untuk RVT

Deskripsi	Kode order	Harga
Option IP54 Gasket for RVT2	2GCA292040A0050	Call Us
Option RVT2 Temperature	2GCA291864A0050	Call Us
RS485 Modbus Adapter for RVT2	2GCA291880A0050	Call Us
ABB Power Quality Link	2GCA292820A0050	Call Us
Soft License OPC Server/Modbus device	2GCA286141A0050	Call Us

#### Catatan :

- Silahkan menghubungi kami untuk harga dan spesifikasi detail

# Enclosure/Box Panel

## ABB Low Voltage Products

### Indeks

#### Enclosure/Box Panel

Power Enclosures - System pro E Power .....	196
Sub distribution board - System pro E® energy .....	197
Busbar chassis.....	198
Box MCB (Consumer Unit) - Enclosure untuk produk rel DIN .....	199

## Power Enclosures

### System pro E Power



- Rated Current up to 6300A
- Segregation Form 1, 2a, 2b, 3a, 3b, 4b
- IP IP30, IP31, IP40, IP41, IP65
- Rated Frequency 50-60 Hz
- Ue (Rated service voltage) upto 1000V AC/DC
- Ui (Rated insulation voltage) upto 1000V AC/DC
- Uimp (Rated impulse withstand voltage) 12 kV
- Icw (Rated short-time current) up to 120kA
- Ipk (rated peak withstand current) up to 264kA
- Standard of reference IEC 61439-1-2 / IEC 60439-1
- Vibration test IEC 60068-2-57
- Seismic test IEE Std 693
- Arc-resistant standard IEC 61641

#### • Dimensions (functional)

	Dimensions (mm)
Height	1800, 2000
Width	300, 400, 600, 800, 1000, 1250
Depth	200, 300, 500, 700, 900

#### • Cable container dimensions (functional)

	Dimensions (mm)
Internal	400+200, 400+400, 600+200, 600+400, 800+200
External	300, 400

## Sub distribution board

### System pro E® energy

#### Product highlight

##### Easy, Simple and Flexible



- e-Configure
- Extend range of cabinets
  - 3 widths / 8 heights / 1 depth
  - IP30/ IP43 / IP55
- Unlimited side by side coupling
- Internal cable compartment
- Wide range of modules for ABB devices. Special modules; push buttons...
- Vertical and horizontal busbars. Linear & Staircase / flat & shaped
- Multiple wiring solutions & cable entries
- Optimal accessibility for installation
- Common interior and accessories for IP43 & IP55 versions ....

##### Quick



- Reduced number of screws to assemble the IP43 cabinets
- 1 type of tool
- Slide-in side panels and top & bottom
- Click-in supports. Toolless assembly of mounting plates, rel DINs, busbar isolators...
- Cover plates fixed with pre-assembled ¼ turn screws
- Click-in accessories for wiring and fixation of wiring ducts, rel DINs,...
- Wide space for wiring
- Door ready to mount
- ...

##### Safe



- IEC 61439-1 / - 2 / -3
- IEC 62208
- Up to Form 2b
- Safety glass for transparent doors
- 3 points locking system for doors
- Optional coupling reinforcement profiles
- Features for safety transportation
- No sharp edges
- ...



#### System pro E® energy L

- Tailored and proven wall-mounted and floor-standing sub distribution board up to 800 A
- Delivered in flat kits
- Protection degree up to IP43 (IP30 without the door)



#### System pro E® energy M

- Monoblock cabinet with attachable side panels
- Available in both configurations: wall-mounted and floor-standing
- Protection degree up to IP55 (IP30 without the door)

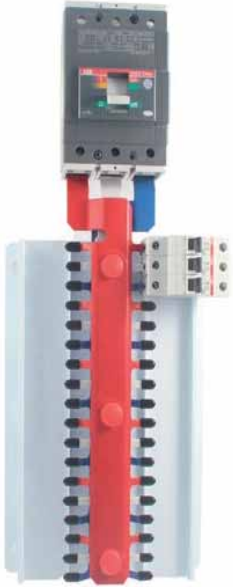


#### System pro E® energy Combi

- Common internal configuration system
- Facilitates the installation of a wide range of ABB Low Voltage devices based on its modular system
- Delivered in flat packs

## Busbar chassis

### Compact chassis system



Compact chassis system cocok untuk digunakan pada komponen komponen rel DIN ABB seperti MCB S200, S200M, S200P serta beberapa komponen rel DIN lainnya. Berbentuk seperti tulang ikan (fishbone) terpasang secara vertikal dalam panel dengan posisi pemasangan komponen secara horizontal. Pemasangan komponen pada chassis ini tidak memerlukan kabel, cukup pasang dan dikencangkan.

Secara umum, berikut ini beberapa spesifikasi teknis dari compact chassis system:

- Tersedia dalam 2 tipe yaitu tipe dengan kapasitas 250A dan kapsitas 400A
- Lulus uji standar AS 3439.1 yang setara dengan standar IEC 60439
- Untuk tipe dengan kapasitas 250A mempunyai withstand rating 20 kA pada durasi 0.1 detik
- Untuk tipe dengan kapasitas 400A mempunyai withstand rating 20 kA pada durasi 0.2 detik
- Dilengkapi dengan rentangan busbar untuk incoming pemutus sirkit
- Ujung koneksi komponen terlindungi, pelindung baru dibuka saat komponen akan dipasang
- Meningkatkan kapabilitas insulasi
- Variant kapasitas dimulai dari 12 pole sampai dengan 96 pole

Selain itu juga tersedia compact chassis system untuk tipe MCB high performance rating S800.

\* Untuk informasi detail teknis lainnya dan juga harga, silahkan hubungi kontak ABB terdekat

### Encapsulated chassis system



Encapsulated chassis system secara mendasar mempunyai fungsi dan bentuk yang hampir sama dengan compact chassis system. Satu hal paling mendasar yang membedakan dengan compact chassis system adalah tipe ini sudah dilengkapi dengan pelindung eksternal pada chassis sehingga lebih amal dari sisi instalasi maupun perawatan.

Secara umum, berikut ini beberapa spesifikasi teknis dari encapsulated chassis system:

- Tersedia dalam 2 tipe yaitu tipe dengan kapasitas 250A dan kapsitas 400A
- Lulus uji standar AS 3439.1 yang setara dengan standar IEC 60439
- Tipe 250A mempunyai withstand rating 25 kA pada durasi 0.1 detik dan 10 kA pada durasi 1.0 detik
- Tipe 400A mempunyai withstand rating 30 kA pada durasi 0.1 detik
- Peak witstand rating untuk tipe 250A adalah 52.5 kA dan untuk tipe 400A adalah 63 kA
- Dilengkapi dengan rentangan busbar untuk incoming pemutus sirkit
- Ujung koneksi komponen terlindungi, pelindung baru dibuka saat komponen akan dipasang
- Tidak diperlukan lagi isolator plastik karena sudah terlindungi dengan pelindung eksternal
- Meningkatkan kapabilitas insulasi
- Variant kapasitas dimulai dari 12 pole sampai dengan 96 pole
- Tersedia pilihan untuk tipe MCB S800 serta pilihan 4 pole dengan netral

\* Untuk informasi detail teknis lainnya dan juga harga, silahkan hubungi kontak ABB terdekat

## Box MCB (Consumer Unit)

Enclosure untuk produk rel DIN

- Standar - IEC 60670-24, RoHS (ramah lingkungan)
- Ketahanan terhadap panas (GWT) - 6500 C, berdasarkan standard IEC 60695-2-11
- Ketahanan terhadap benturan (IK) - IK 08
- Derajat Proteksi (IP) - IP 41 (Mistral); IP 40 (Basic E)

Type	Dudukan	Jumlah Modul	Dimensi (WxHxD)	No. Ref	Harga IDR
Mistral 41F Pintu Transparan	Tanam	8 modul - 1 baris	232x250x108	1SLM004101A1202	443,410
		12 modul - 1 baris	320x250x108	1SLM004101A1203	543,400
		18 modul - 1 baris	430x250x108	1SLM004101A1204	671,110
		24 modul - 1 baris	320x435x108	1SLM004101A1205	829,290
		36 modul - 1 baris	430x435x108	1SLM004101A1206	1,065,130
		36 modul - 2 baris	320x600x108	1SLM004101A1207	1,065,130
		48 modul - 2 baris	320x735x108	1SLM004101A1208	1,650,220
		54 modul - 2 baris	430x600x128	1SLM004101A1209	1,591,370
		72 modul - 2 baris	430x735x128	1SLM004101A1210	2,074,600
Mistral 41W Pintu Transparan	Dinding	8 modul - 1 baris	202x257x120	1SPE007717F0321	390,280
		12 modul - 1 baris	292x257x120	1SPE007717F0421	485,760
		18 modul - 1 baris	382x257x120	1SPE007717F0821	583,220
		24 modul - 1 baris	292x382x120	1SPE007717F0521	715,440
		36 modul - 1 baris	382x382x120	1SPE007717F0921	889,350
		36 modul - 2 baris	292x507x120	1SPE007717F0621	889,350
		48 modul - 2 baris	292x656x120	1SPE007717F0721	1,218,250
		54 modul - 2 baris	382x507x120	1SPE007717F1021	1,230,240
		72 modul - 2 baris	382x656x120	1SPE007717F1121	2,067,670
Basic E Pintu Opaque	Tanam	4 modul - 1 baris	155x180x102	1SZR004002A1101	143,440
		6 modul - 1 baris	190x180x102	1SZR004002A1102	172,590
		8 modul - 1 baris	230x180x102	1SZR004002A1103	211,090
		12 modul - 1 baris	300x220x102	1SZR004002A1104	272,580
		16 modul - 2 baris	230x315x102	1SZR004002A1105	300,190
		24 modul - 2 baris	300x335x102	1SZR004002A1107	393,140
		36 modul - 3 baris	300x450x102	1SZR004002A1109	508,860
Basic E Pintu Transparan	Tanam	4 modul - 1 baris	155x180x102	1SZR004002A1201	150,920
		6 modul - 1 baris	190x180x102	1SZR004002A1202	180,840
		8 modul - 1 baris	230x180x102	1SZR004002A1203	213,510
		12 modul - 1 baris	300x220x102	1SZR004002A1204	287,650
		16 modul - 2 baris	230x315x102	1SZR004002A1205	317,570
		24 modul - 2 baris	300x335x102	1SZR004002A1207	423,830
		36 modul - 3 baris	300x450x102	1SZR004002A1209	552,970
Basic E Pintu Opaque	Dinding	4 modul - 1 baris	155x180x102	1SZR004002A2101	165,440
		6 modul - 1 baris	190x180x102	1SZR004002A2102	202,510
		8 modul - 1 baris	230x180x102	1SZR004002A2103	222,970
		12 modul - 1 baris	300x220x102	1SZR004002A2104	278,850
		16 modul - 2 baris	230x315x102	1SZR004002A2105	304,040
		24 modul - 2 baris	300x335x102	1SZR004002A2107	389,950
		36 modul - 3 baris	300x450x102	1SZR004002A2109	518,320
Basic E Pintu Transparan	Dinding	4 modul - 1 baris	155x180x102	1SZR004002A2201	166,980
		6 modul - 1 baris	190x180x102	1SZR004002A2202	224,400
		8 modul - 1 baris	230x180x102	1SZR004002A2203	247,060
		12 modul - 1 baris	300x220x102	1SZR004002A2204	314,270
		16 modul - 2 baris	230x315x102	1SZR004002A2205	331,980
		24 modul - 2 baris	300x335x102	1SZR004002A2207	420,640
		36 modul - 3 baris	300x450x102	1SZR004002A2209	562,430

\* Untuk pemesanan Basic E berlaku minimum order quantity, silahkan hubungi kontak ABB terdekat





# Sakelar dan Kotak Kontak

## ABB Low Voltage Products

### Indeks

<b>Sakelar, kotak kontak, lampu darurat dan sistem otomasi bangunan</b>	
Sakelar dan kotak kontak residensial, gedung komersial dan rumah sakit.....	202
Sakelar dan kotak kontak untuk instalasi terbuka luar ruang.....	203
Steker dan kotak kontak tipe industri (Industrial plug & socket) standar.....	204
Sistem otomasi bangunan .....	205
Steker dan kotak kontak tipe industri (Industrial plug & socket) khusus .....	207
Sistem otomasi bangunan .....	208

## Sakelar, kotak kontak, lampu darurat, dan sistem otomasi bangunan

Sakelar dan kotak kontak residensial, gedung komersial dan rumah sakit



Type	Warna	Bahan	Deskripsi	No. Ref	Harga IDR
AC101	Putih	Plastik	Sakelar 10AX 1 gang - 1 arah	CBA031A011S1010	44,000
AC105			Sakelar 10AX 1 gang - 2 arah	CBA031A021S1010	55,550
AC102			Sakelar 10AX 2 gang - 1 arah	CBA031A031S1010	79,750
AC106			Sakelar 10AX 2 gang - 2 arah	CBA031A041S1010	123,200
AC103			Sakelar 10AX 3 gang - 1 arah	CBA031A051S1010	123,200
AC116			Sakelar 16AX 3 gang - 1 arah	CBA031A052S1010	192,500
AC104			Sakelar 10AX 4 gang - 1 arah	CBA031A191S1010	225,500
AC117			Sakelar 16AX 4 gang - 1 arah	CBA031A192S1010	291,500
AC296			Kotak kontak 16A tipe schuko dengan proteksi untuk anak	CBA032A352S1040	79,750
AC296-001			Kotak kontak 16A tipe schuko	CBA032A362S1040	67,650
AC291			Kotak kontak 13A tipe umum	CBA032A251S1010	122,650
AC293			Kotak kontak 13A tipe umum dengan USB port	CBA032A321S1010	632,500
AC294			Kotak kontak 13A tipe umum dengan sakelar pengaman	CBA032A332S1020	171,600
CRS112			Kotak kontak 13A 1G + proteksi arus sisa 10mA cocok untuk rumah sakit	GJF5522413R0100	1,576,850
CRS113			Kotak kontak 13A 1G + proteksi arus sisa 30mA cocok untuk rumah sakit	GJF5522013R0100	1,328,800
CRS212			Kotak kontak 13A 2G + proteksi arus sisa 10mA cocok untuk rumah sakit	GJF5522513R0100	2,062,500
CRS213			Kotak kontak 13A 2G + proteksi arus sisa 30mA cocok untuk rumah sakit	GJF5522113R0100	1,827,100
CSWM101	Metal clad	Besi	Sakelar 10AX 1 gang - 1 arah	GJF5512710S0100	201,300
CSWM102			Sakelar 10AX 1 gang - 2 arah	GJF5512810S0100	246,400
CSWM201			Sakelar 10AX 2 gang - 1 arah	GJF5513010S0100	268,400
CSWM202			Sakelar 10AX 2 gang - 2 arah	GJF5513110S0100	291,500
CSWM301			Sakelar 10AX 3 gang - 1 arah	GJF5513310S0100	358,600
CSWM302			Sakelar 10AX 3 gang - 2 arah	GJF5513410S0100	379,500
CSOM113			Kotak kontak 13A 3pin tipe BS	GJF5520513S0100	246,400
CSOM115			Kotak kontak 15A 3pin tipe BS	GJF5520515S0100	358,600
CSOM213			Kotak kontak 13A 3pin tipe BS 2 gang	GJF5520613S0100	446,600
CRSM112			Kotak kontak 13A 1G + proteksi arus sisa 10mA cocok untuk rumah sakit	GJF5522613R0100	2,286,900
CRSM113			Kotak kontak 13A 1G + proteksi arus sisa 30mA cocok untuk rumah sakit	GJF5522213R0100	1,927,200
CRSM212			Kotak kontak 13A 2G + proteksi arus sisa 10mA cocok untuk rumah sakit	GJF5522713R0100	2,990,900
CRSM213			Kotak kontak 13A 2G + proteksi arus sisa 30mA cocok untuk rumah sakit	GJF5522313R0100	2,649,900
CBXM122			Box dinding 1 gang	GJF5565400S0100	80,300
CBXM222			Box dinding 2 gang	GJF5565500S0100	106,700

\*Selain sakelar dan kotak kontak juga tersedia sakelar dan soket untuk kebutuhan lainnya seperti soket komunikasi telp, TV, Data koneksi RJ45, intermediate switch, card switch, dimmer dan sejenisnya serta juga tersedia pilihan warna lain seperti hitam, pearl gold, silver, stainless steel dan abu-abu. Untuk informasi lebih lanjut silahkan hubungi kontak ABB terdekat

## Sakelar, kotak kontak, lampu darurat, dan sistem otomasi bangunan

Sakelar dan kotak kontak untuk instalasi terbuka luar ruang

### Weatherproof Switched Isolator IP66

- Fitur
- Tingkat proteksi sampai dengan IP66, than terhadap debu dan juga semprotan air deras
  - Material terbuat dari PC kualitas tinggi dan tahan terhadap suhu ambient tinggi
  - Tahan terhadap radiasi sinar UV dan anti korosi
  - Sesuai dengan standar IEC 60947-3 (Third Edition) + A1:2012 + A2:2015



Tipe	Deskripsi	No. Ref	Harga IDR
WSD220CL	20 A 2P Switch-Isolator	2TCZ751006R0001	458,700
WSD232CL	32 A 2P Switch-Isolator	2TCZ751006R0002	552,200
WSD245CL	45 A 2P Switch-Isolator	2TCZ751006R0003	738,100
WSD263CL	63 A 2P Switch-Isolator	2TCZ751006R0004	805,200
WSD420CL	20 A 4P Switch-Isolator	2TCZ751006R0005	710,600
WSD432CL	32 A 4P Switch-Isolator	2TCZ751006R0006	757,900
WSD445CL	45 A 4P Switch-Isolator	2TCZ751006R0007	910,800
WSD463CL	63 A 4P Switch-Isolator	2TCZ751006R0008	1,103,300

### Weatherproof switches IP66

- Fitur
- Tingkat proteksi sampai dengan IP66, than terhadap debu dan juga semprotan air deras
  - Material terbuat dari UV stabilized Polycarbonate
  - Mudah untuk dioperasikan meskipun sedang menggunakan sarung tangan yang tebal
  - Sesuai dengan standar IEC 60669



Tipe	Deskripsi	No. Ref	Harga IDR
WSW101CL	Weatherproof 10 AX 1W SW	2TCZ751003R0030	426,800
WSW102CL	Weatherproof 10 AX 2W SW	2TCZ751004R0030	478,500
WSW114CL	Weatherproof 20 AX 2P SW	2TCZ751005R0070	531,300

### Weatherproof Socket Outlets IP66

- Fitur
- Tingkat proteksi sampai dengan IP66, than terhadap debu dan juga semprotan air deras
  - Modular desain untk instalasi secara vertikal maupun horizontal
  - Mempunyai elastisitas dan umur pemakaian yang panjang
  - Dilengkapi dengan shutter protection
  - Sesuai dengan standar IEC IEC 60669-1 + A1:1999 + A2:2006, IEC 60529



Tipe	Deskripsi	No. Ref	Harga IDR
WSO123CL	Weatherproof 13 A UN-SW Socket Outlet	2TCZ752001R0040	697,400
WSO113CL	Weatherproof 13 A SW Socket Outlet	2TCZ752002R0040	1,029,600
WSO215CL	Weatherproof 15 A SW Socket Outlet	2TCZ752003R0050	1,109,900

## Sakelar, kotak kontak, lampu darurat, dan sistem otomasi bangunan

Steker dan kotak kontak tipe industri (Industrial plug & socket) standar

- Fitur**
- Sesuai dengan standar IEC 60 309-1, -2, -4
  - Rating dari 16A sampai dengan 125A
  - IP44 (splashproof) dan IP67 (watertight)
  - Pemenang red dot design award 2017 untuk rating 16A dan 32A
- Aplikasi**
- Datacenter, aplikasi industri, industri makanan, infrastruktur, pertambangan dan industri minyak dan gas



Type	Warna	Arus	IP	Pin	No. Ref	Harga IDR
<b>Steker (plug)</b>						
216EP6	Biru (220-250 V)	16A	44	2P+E	2CMA101947R1000	123,200
316EP6	Merah (380-415 V)			3P+E	2CMA101956R1000	139,700
416EP6	Merah (380-415 V)			3P+N+E	2CMA101967R1000	157,300
232EP6	Biru (220-250 V)	32A		2P+E	2CMA101975R1000	182,600
332EP6	Merah (380-415 V)			3P+E	2CMA101984R1000	190,300
432EP6	Merah (380-415 V)			3P+N+E	2CMA101995R1000	209,000
263P6	Biru (220-250 V)	63A		2P+E	2CMA166742R1000	675,400
363P6	Merah (380-415 V)			3P+E	2CMA166752R1000	697,400
463P6	Merah (380-415 V)			3P+N+E	2CMA166764R1000	745,800
<b>Kotak kontak (socket) mobile</b>						
216EC6	Biru (220-250 V)	16A	44	2P+E	2CMA102003R1000	157,300
316EC6	Merah (380-415 V)			3P+E	2CMA102012R1000	183,700
416EC6	Merah (380-415 V)			3P+N+E	2CMA102023R1000	209,000
232EC6	Biru (220-250 V)	32A		2P+E	2CMA102031R1000	232,100
332EC6	Merah (380-415 V)			3P+E	2CMA102040R1000	248,600
432EC6	Merah (380-415 V)			3P+N+E	2CMA102051R1000	255,200
263C6	Biru (220-250 V)	63A		2P+E	2CMA166840R1000	913,000
363C6	Merah (380-415 V)			3P+E	2CMA166850R1000	938,300
463C6	Merah (380-415 V)			3P+N+E	2CMA166862R1000	1,004,300
<b>Kotak kontak (socket) tempel dinding (wall mount)</b>						
216RS6	Biru (220-250 V)	16A	44	2P+E	2CMA193098R1000	207,900
316RS6	Merah (380-415 V)			3P+E	2CMA193106R1000	213,400
416RS6	Merah (380-415 V)			3P+N+E	2CMA193115R1000	231,000
232RS6	Biru (220-250 V)	32A		2P+E	2CMA193122R1000	291,500
332RS6	Merah (380-415 V)			3P+E	2CMA193130R1000	300,300
432RS6	Merah (380-415 V)			3P+N+E	2CMA193139R1000	323,400
263RS6	Biru (220-250 V)	63A		2P+E	2CMA167476R1000	1,078,000
363RS6	Merah (380-415 V)			3P+E	2CMA167498R1000	1,109,900
463RS6	Merah (380-415 V)			3P+N+E	2CMA167484R1000	1,191,300
<b>Kotak kontak (socket) tempel panel (panel mount)</b>						
216RAM6	Biru (220-250 V)	16A	44	2P+E	2CMA170004R1000	178,200
316RAM6	Merah (380-415 V)			3P+E	2CMA170012R1000	198,000
416RAM6	Merah (380-415 V)			3P+N+E	2CMA170021R1000	214,500
232RAM6	Biru (220-250 V)	32A		2P+E	2CMA170027R1000	239,800
332RAM6	Merah (380-415 V)			3P+E	2CMA170035R1000	262,900
432RAM6	Merah (380-415 V)			3P+N+E	2CMA170044R1000	278,300
263RAU6	Biru (220-250 V)	63A		2P+E	2CMA167408R1000	943,800
363RAU6	Merah (380-415 V)			3P+E	2CMA167418R1000	972,400
463RAU6	Merah (380-415 V)			3P+N+E	2CMA167430R1000	1,045,000

## Sakelar, kotak kontak, lampu darurat, dan sistem otomasi bangunan

### Steker dan kotak kontak tipe industri (Industrial plug & socket) standar

- Fitur**
- Sesuai dengan standar IEC 60 309-1, -2, -4
  - Pemenang red dot design award 2017 untuk rating 16A dan 32A
  - IP44 (splashproof) dan IP67 (watertight)
- Aplikasi**
- Datacenter, aplikasi industri, industri makanan, infrastruktur, pertambangan dan industri minyak dan gas



Tipe	Warna	Arus	IP	Pin	No. Ref	Harga IDR
<b>Steker (Plug)</b>						
216EP6W	Biru (220-250 V)	16A	67	2P+E	2CMA101072R1000	268,400
316EP6W	Merah (380-415 V)			3P+E	2CMA101080R1000	300,300
416EP6W	Merah (380-415 V)			3P+N+E	2CMA101089R1000	354,200
232EP6W	Biru (220-250 V)	32A		2P+E	2CMA101095R1000	379,500
332EP6W	Merah (380-415 V)			3P+E	2CMA101103R1000	420,200
432EP6W	Merah (380-415 V)			3P+N+E	2CMA101112R1000	455,400
263P6W	Biru (220-250 V)	63A		2P+E	2CMA166776R1000	855,800
363P6W	Merah (380-415 V)			3P+E	2CMA166786R1000	886,600
463P6W	Merah (380-415 V)			3P+N+E	2CMA166798R1000	952,600
2125P6W	Biru (220-250 V)	125A		2P+E	2CMA166810R1000	2,889,700
3125P6W	Merah (380-415 V)			3P+E	2CMA166816R1000	2,989,800
4125P6W	Merah (380-415 V)			3P+N+E	2CMA166828R1000	3,217,500
<b>Kotak kontak (socket) mobile</b>						
216EC6W	Biru (220-250 V)	16A	67	2P+E	2CMA101119R1000	594,000
316EC6W	Merah (380-415 V)			3P+E	2CMA101127R1000	621,500
416EC6W	Merah (380-415 V)			3P+N+E	2CMA101136R1000	675,950
232EC6W	Biru (220-250 V)	32A		2P+E	2CMA101142R1000	798,270
332EC6W	Merah (380-415 V)			3P+E	2CMA101150R1000	820,270
432EC6W	Merah (380-415 V)			3P+N+E	2CMA101159R1000	875,270
263C6W	Biru (220-250 V)	63A		2P+E	2CMA166874R1000	1,323,570
363C6W	Merah (380-415 V)			3P+E	2CMA166894R1000	1,378,724
463C6W	Merah (380-415 V)			3P+N+E	2CMA166906R1000	1,480,177
2125C6W	Biru (220-250 V)	125A		2P+E	2CMA166918R1000	4,092,402
3125C6W	Merah (380-415 V)			3P+E	2CMA166924R1000	4,223,835
4125C6W	Merah (380-415 V)			3P+N+E	2CMA166936R1000	4,557,036
<b>Kotak kontak (socket) tempel dinding (wall mount)</b>						
216ERS6W	Biru (220-250 V)	16A	67	2P+E	2CMA101213R1000	690,250
316ERS6W	Merah (380-415 V)			3P+E	2CMA101221R1000	703,450
416ERS6W	Merah (380-415 V)			3P+N+E	2CMA101230R1000	763,950
232ERS6W	Biru (220-250 V)	32A		2P+E	2CMA101236R1000	943,250
332ERS6W	Merah (380-415 V)			3P+E	2CMA101244R1000	987,250
432ERS6W	Merah (380-415 V)			3P+N+E	2CMA101253R1000	1,042,250
263RS6W	Biru (220-250 V)	63A		2P+E	2CMA167306R1000	1,570,118
363RS6W	Merah (380-415 V)			3P+E	2CMA167316R1000	1,638,808
463RS6W	Merah (380-415 V)			3P+N+E	2CMA167328R1000	1,750,887
2125RS6W	Biru (220-250 V)	125A		2P+E	2CMA167246R1000	4,841,661
3125RS6W	Merah (380-415 V)			3P+E	2CMA167252R1000	4,991,437
4125RS6W	Merah (380-415 V)			3P+N+E	2CMA167264R1000	5,359,046

## Sakelar, kotak kontak, lampu darurat, dan sistem otomasi bangunan

Steker dan kotak kontak tipe industri (Industrial plug & socket) standar

- Fitur**
- Sesuai dengan standar IEC 60 309-1, -2, -4
  - Pemenang red dot design award 2017 untuk rating 16A dan 32A
  - IP44 (splashproof) dan IP67 (watertight)
- Aplikasi**
- Datacenter, aplikasi industri, industri makanan, infrastruktur, pertambangan dan industri minyak dan gas



Tipe	Warna	Arus	IP	Pin	No. Ref	Harga IDR
Kotak kontak (socket) tempel panel (panel mount)						
216RAU6W	Biru (220-250 V)	16A	67	2P+E	2CMA166996R1000	591,800
316RAU6W	Merah (380-415 V)			3P+E	2CMA167012R1000	613,800
416RAU6W	Merah (380-415 V)			3P+N+E	2CMA167030R1000	663,300
232RAU6W	Biru (220-250 V)	32A		2P+E	2CMA166948R1000	829,400
332RAU6W	Merah (380-415 V)			3P+E	2CMA166964R1000	858,000
432RAU6W	Merah (380-415 V)			3P+N+E	2CMA166982R1000	926,200
263RAU6W	Biru (220-250 V)	63A		2P+E	2CMA167442R1000	1,438,800
363RAU6W	Merah (380-415 V)			3P+E	2CMA167452R1000	1,485,000
463RAU6W	Merah (380-415 V)			3P+N+E	2CMA167464R1000	1,601,600
2125RF6W LP	Biru (220-250 V)	125A		2P+E	2CMA101881R1000	3,470,500
3125RF6W LP	Merah (380-415 V)			3P+E	2CMA101877R1000	3,883,000
4125RF6W LP	Merah (380-415 V)			3P+N+E	2CMA101870R1000	5,115,000

## Sakelar, kotak kontak, lampu darurat dan sistem otomasi bangunan

Steker dan kotak kontak tipe industri (Industrial plug & socket) khusus

### Industrial plug socket - Explosion proof

Application range (Zone): 1, 2, 21, 22

IP 66 . Dust explosion protection: II 2 D Ex tD A21



Tipe	Warna	Arus	IP	Pin	No. Ref	Harga IDR
<b>Steker (Plug)</b>						
216P6XW	Biru (200-250 V)	16A	66	2P+E	2CMA101692R1000	6,865,080
416P6XW	Merah (346-415 V)			3P+N+E	2CMA101693R1000	8,377,420
432P6XW	Merah (346-415 V)	32A		3P+N+E	2CMA101694R1000	12,567,480
463P6XW	Merah (346-415 V)	63A		3P+N+E	2CMA101695R1000	48,989,540
4125P6XW	Merah (346-415 V)	125A		3P+N+E	2CMA101696R1000	166,519,500
<b>Kotak kontak (socket)</b>						
216MVS6XW	Biru (200-250 V)	16A	66	2P+E	2CMA101687R1000	22,807,590
416MVS6XW	Merah (346-415 V)			3P+N+E	2CMA101688R1000	31,534,680
432MVS6XW	Merah (346-415 V)	32A		3P+N+E	2CMA101689R1000	51,666,570
463MVS6XW	Merah (346-415 V)	63A		3P+N+E	2CMA101690R1000	163,377,800
4125MVS6XW	Merah (346-415 V)	125A		3P+N+E	2CMA101691R1000	270,898,970



### Modular Combi

Modular combi merupakan kombinasi plug socket dengan pemutus sirkit mini (MCB) dan gawai proteksi arus sisa (RCD) dalam satu kesatuan panel dari ABB. Solusi ini memberikan kemudahan dalam proses instalasi dan juga perawatan. Terdiri dari 2 pilihan, modular combi dengan panel plastik dan modular combi dengan panel besi (metal). Selain juga terdapat produk yang sudah baku dengan desain dari ABB, pengguna juga dapat memilih desain bebas sesuai dengan kebutuhan di lapangan.

\* Untuk keterangan lebih lanjut silahkan hubungi kontak ABB terdekat



### High current connectors

ABB juga memiliki variasi produk untuk steker (plug) dan kotak kontak (socket) tipe industri dengan kapasitas arus yang sangat tinggi dimulai dari 200A sampai dengan 400A. Berikut ini adalah variasi yang dimaksud:

- C-Line - 200 A/250 A  
Terbuat dari material plastik yang kuat, dengan IP67 dan IK10
- B-Line - 250 A/400 A  
Terbuat dari material aluminium dan juga tahan karat dengan IP67 dan IK10
- Connector units 200 A...400 A

Spesial konektor untuk keamanan instalasi listrik yang maksimal, terdiri dari beberapa variasi yaitu:

- CUMI (connector unit with mechanical interlock)
- CUBC (connector unit with block contactor)
- CUCB (connector unit with circuit breaker)

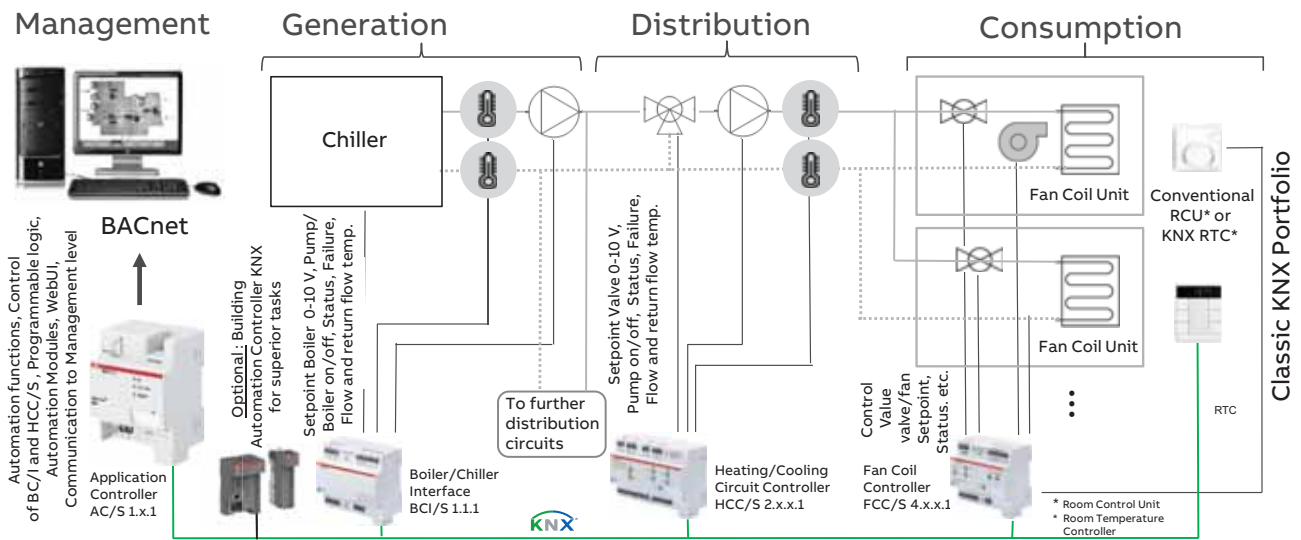


# Sakelar, kotak kontak, lampu darurat, dan sistem otomasi bangunan

## Sistem otomasi bangunan

### ABB i-bus® KNX

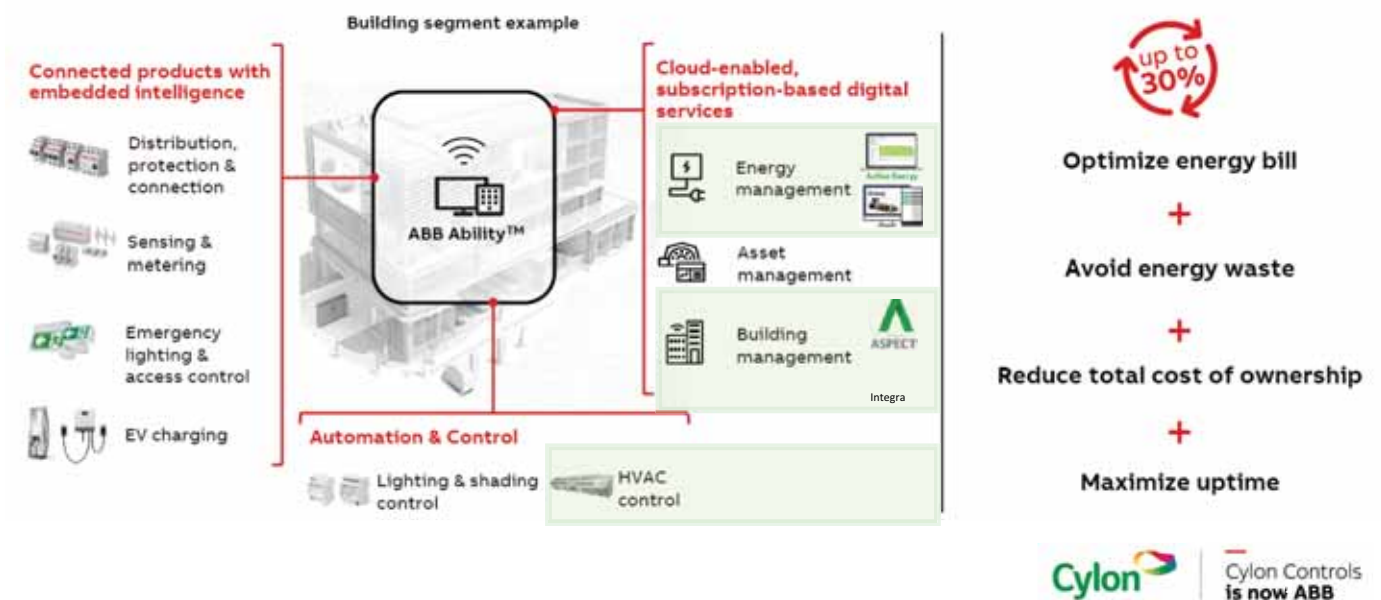
Salah satu sistem otomasi bangunan yang dimiliki oleh ABB adalah ABB i-bus® KNX, dimana sistem ini menggunakan KNX sebagai protokol komunikasi untuk sistem nya. Beberapa aplikasi yang dapat dikontrol secara umum adalah sebagai berikut ini: sistem pencahayaan ruang, sistem pendingin ruang, sistem kontrol tirai jendela, sistem pengukuran kelistrikan dan juga beberapa aplikasi lainnya. Secara umum juga gambaran kerja dari ABB i-bus® KNX dapat diilustrasikan sebagai berikut ini:



### Cylon Control

Selain berbasis KNX, ABB juga memiliki sistem otomasi bangunan berbasis protokol komunikasi BACnet sebagai protokol untuk komunikasi sistemnya, sistem otomasi bangunan tersebut adalah Cylon Control. Hampir sama juga dengan ABB i-bus® KNX, pengaplikasian sistem ini meliputi (tapi tidak terbatas) pada, sistem pendingin ruang, sistem pencahayaan dan sistem pengukuran kelistrikan. Secara umum, gambaran kerja dari Cylon Control adalah dapat diilustrasikan sebagai berikut:

### Where Cylon Controls fits into the ABB portfolio



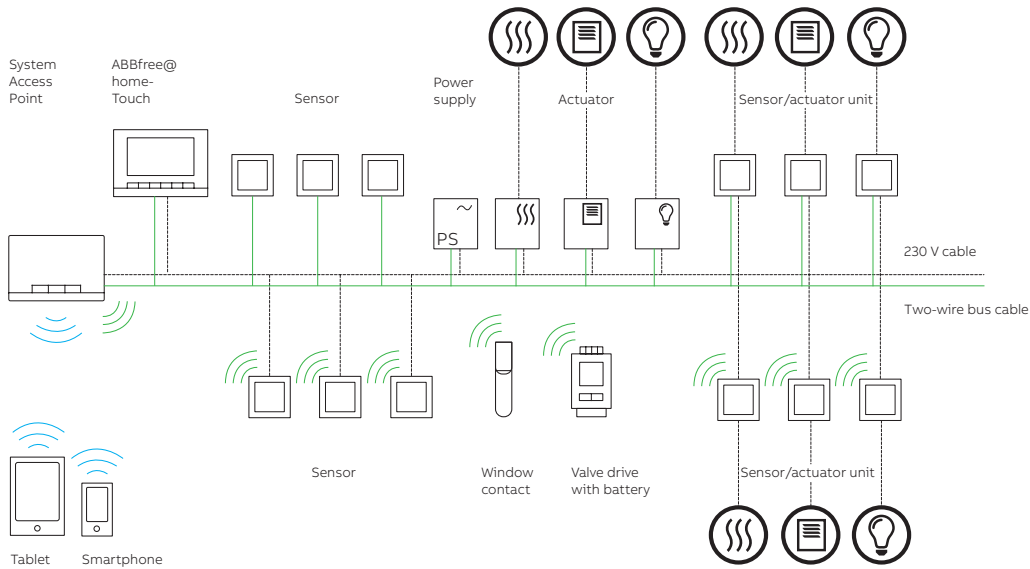


## Sakelar, kotak kontak, lampu darurat, dan sistem otomasi bangunan

### Sistem otomasi bangunan

#### ABB-free@home®

ABB-free@home® merupakan sistem otomasi bangunan dengan skala kecil untuk pengaplikasian di tempat tinggal, residensial dan apartemen. Menggunakan sistem protokol komunikasi khusus milik ABB agar sisi privasi dari pemilik dan pengguna tempat tinggal tidak terganggu maupun rawan diretas oleh pihak luar. Pengaplikasian yang serupa dengan sistem otomasi ABB lainnya sehingga secara umum gambaran kerjanya dapat diilustrasikan sebagai berikut:



#### ABB Door Entry Systems

Selain memiliki sistem otomasi bangunan untuk meningkatkan efisiensi energi dan kenyamanan, ABB juga memiliki sistem otomasi bangunan yang sifatnya meningkatkan kualitas keamanan bagi para pemilik dan pengguna dari bangunan tersebut sehingga bisa mencegah tindak pidana pencurian maupun tindak pidana lainnya yang dapat merugikan para pengguna dan pemilik bangunan. Salah satu dari sistem otomasi tersebut dinamakan dengan ABB Door Entry Systems dimana fungsi utamanya adalah untuk memonitor dan mengatur orang yang lalu lalang dalam bangunan tersebut. ABB Door Entry Systems terdiri dari beberapa sub komponen diantaranya:

1. Indoor unit; berfungsi sebagai jendela antar muka untuk melihat secara langsung orang yang akan masuk
2. Outdoor unit: berfungsi sebagai kunci akses bagi pengguna, dan antar muka 1 arah (hanya bisa dilihat) untuk tamu
3. Guard unit: berfungsi sebagai unit monitor untuk sisi pengelola gedung atau bagian keamanan
4. Komponen penyusun sistem: berfungsi sebagai komponen penyusun satu kesatuan sistem utuh, dapat terdiri dari IP actuator, smart access point, sistem jaringan dan sebagainya tergantung dari sisi skalabilitas sistem.







—

**Office address**

**PT ABB Sakti Industri**

**Head Office**

25<sup>th</sup> – 26<sup>th</sup> Floor World Trade Center 3

Jl. Jend. Sudirman Kav. 29-31

Jakarta 12920

Phone: +62 21 2551 5555

Fax: +62 21 2551 5566

Contact center

Phone: +62 21 8060 0634

Email: [contact.center@id.abb.com](mailto:contact.center@id.abb.com)

[new.abb.com/id](http://new.abb.com/id)

